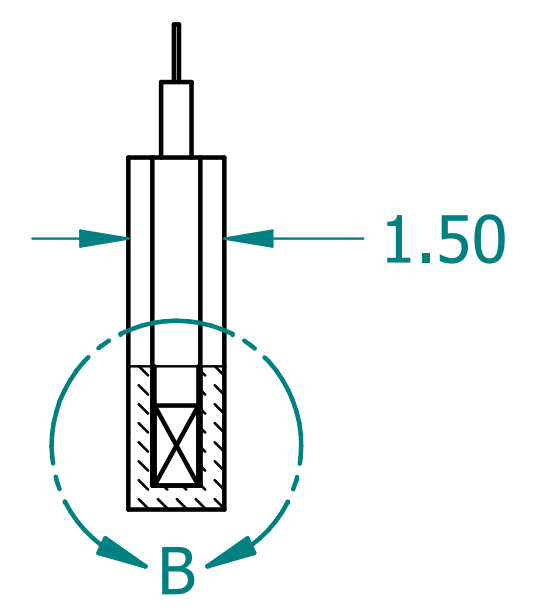
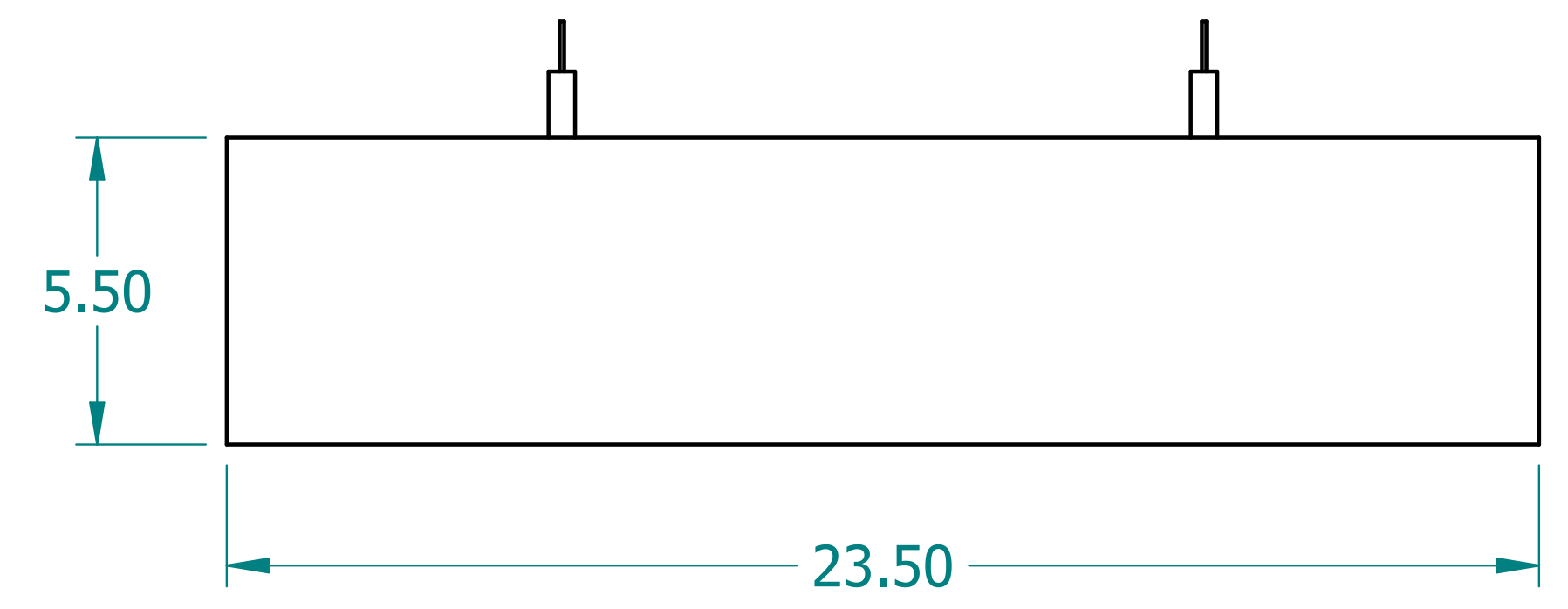
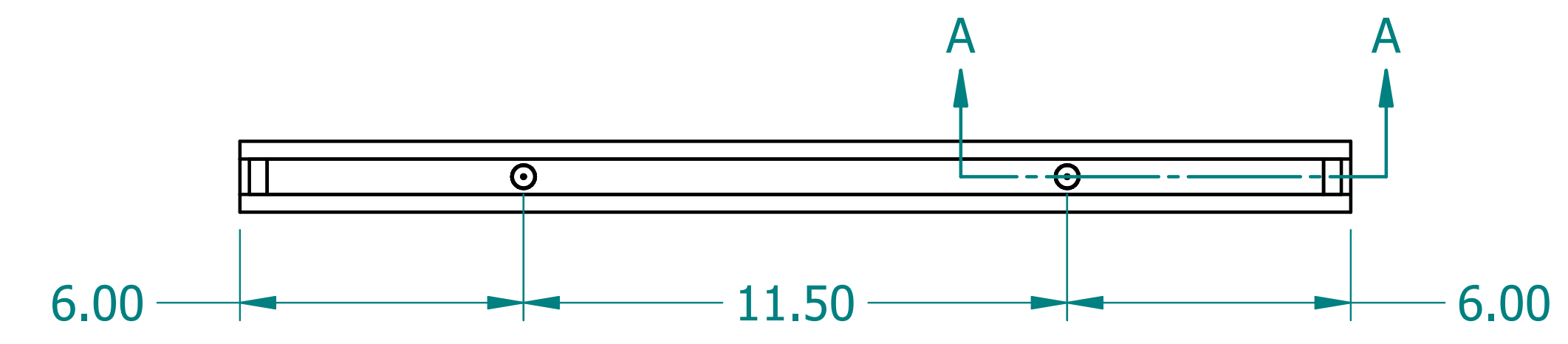
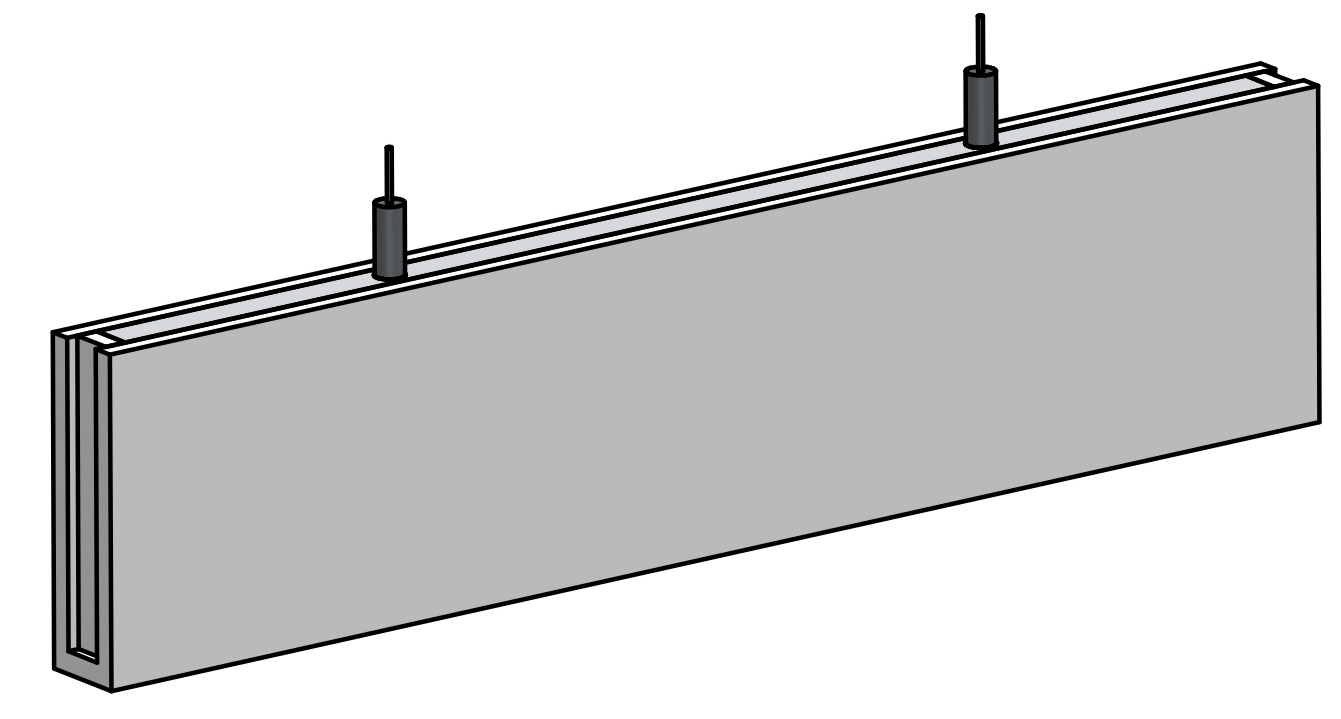
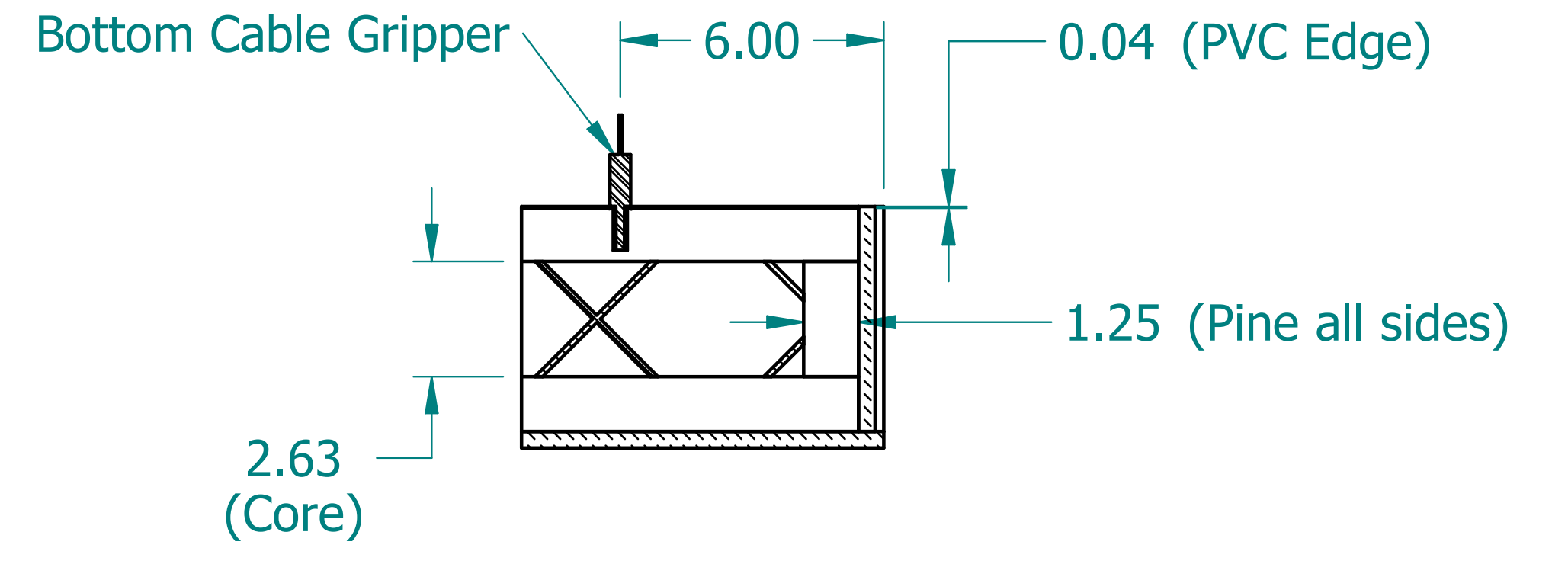


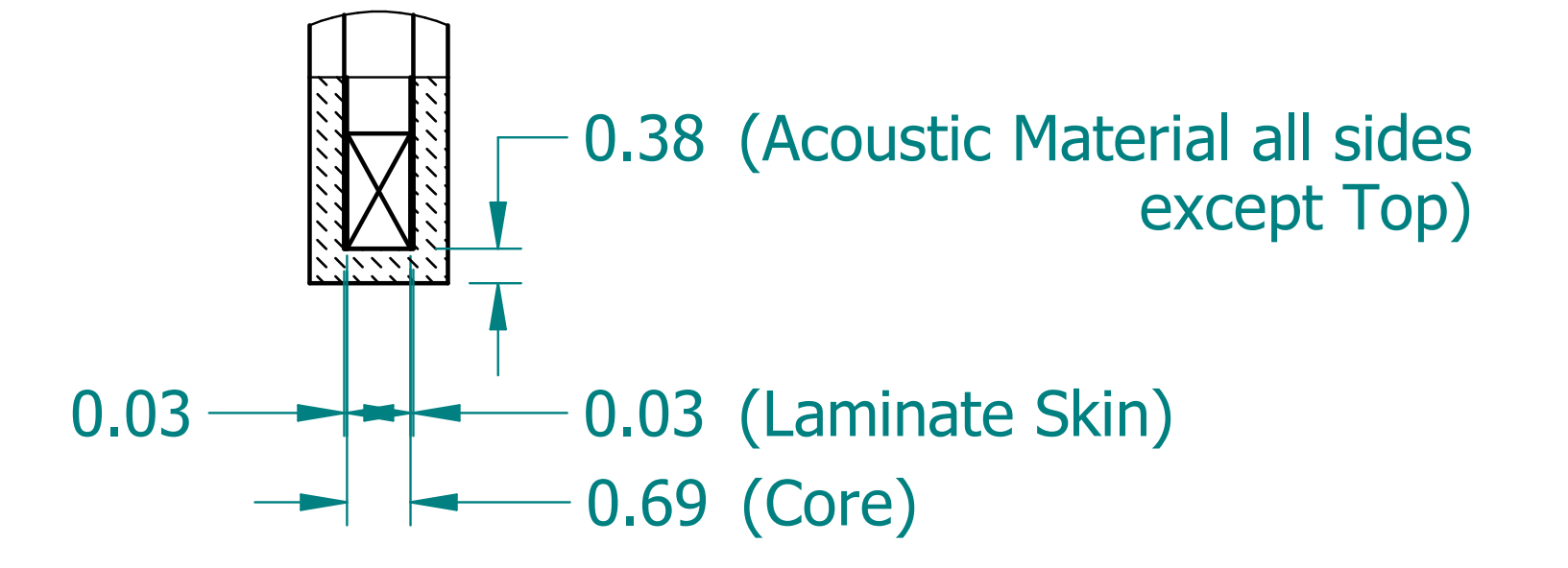
REVISION HISTORY			
REV.	DESCRIPTION	DATE	APPROVED



SECTION A-A



DETAIL B



	NAME	DATE
DRAWN	SAI	03/11/20
ENG APPR	ERIC	03/11/20



UNLESS OTHERWISE SPECIFIED DIMENSIONS ARE IN 'INCHES'
 ANGLES ±0.8° ; 2 PL ±0.040 ;
 3 PL ±0.020

TITLE		Acoustic Blade	
SUBTITLE		24"x6"x1.5"	
PART NO:	ABlade-001-XX	REV.	1.0
SIZE: 34"x22"	SCALE: 0.33	SHEET 1 OF 1	
FILE NAME: Acoustic Blade (24.6.1.5).dft			