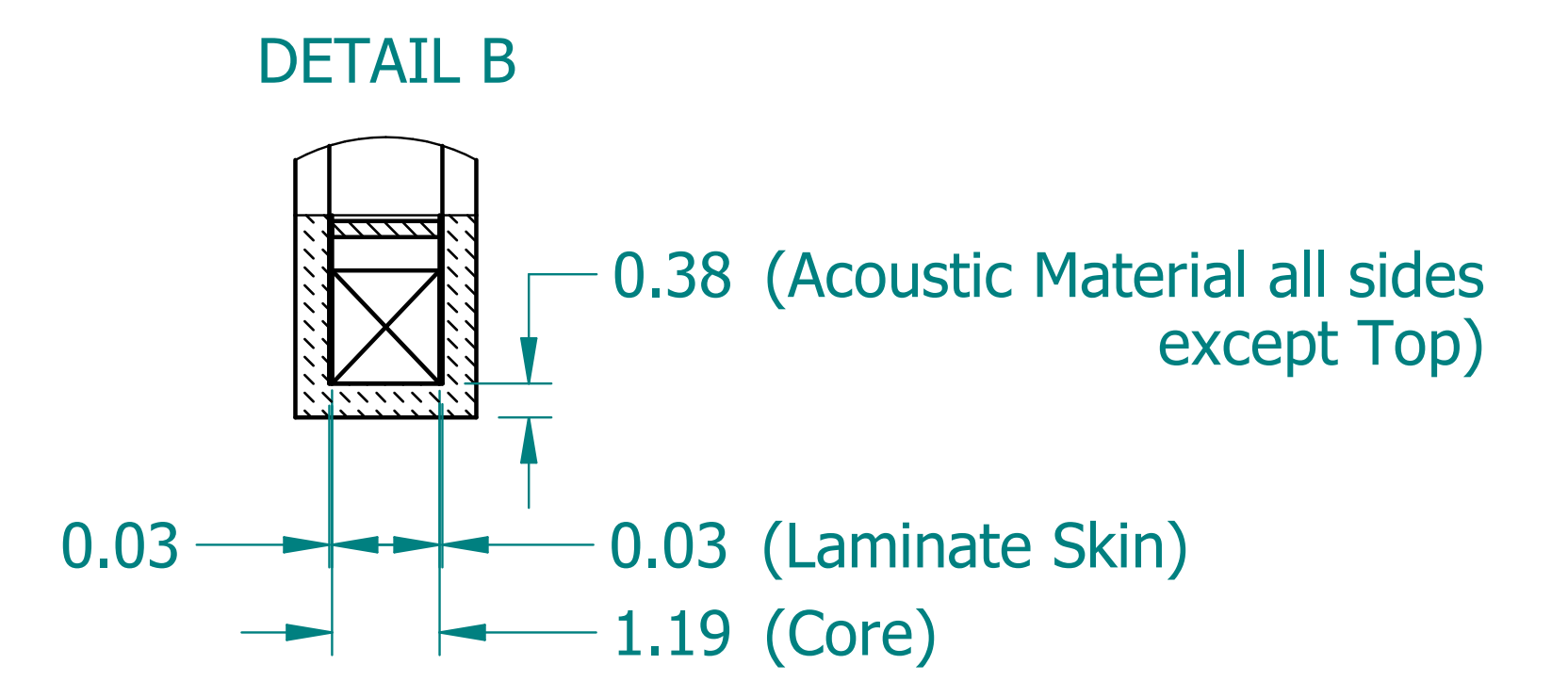
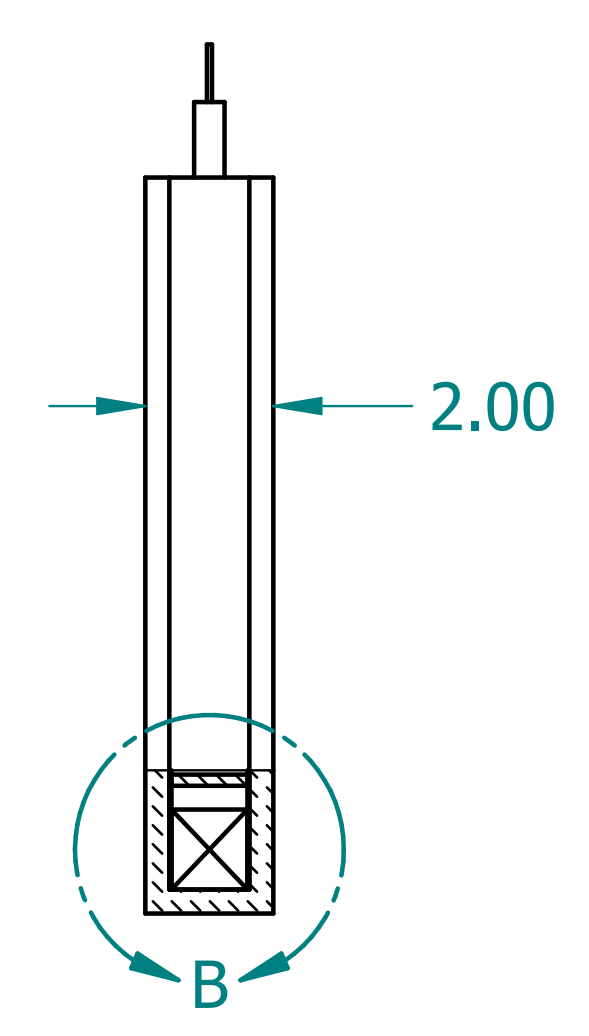
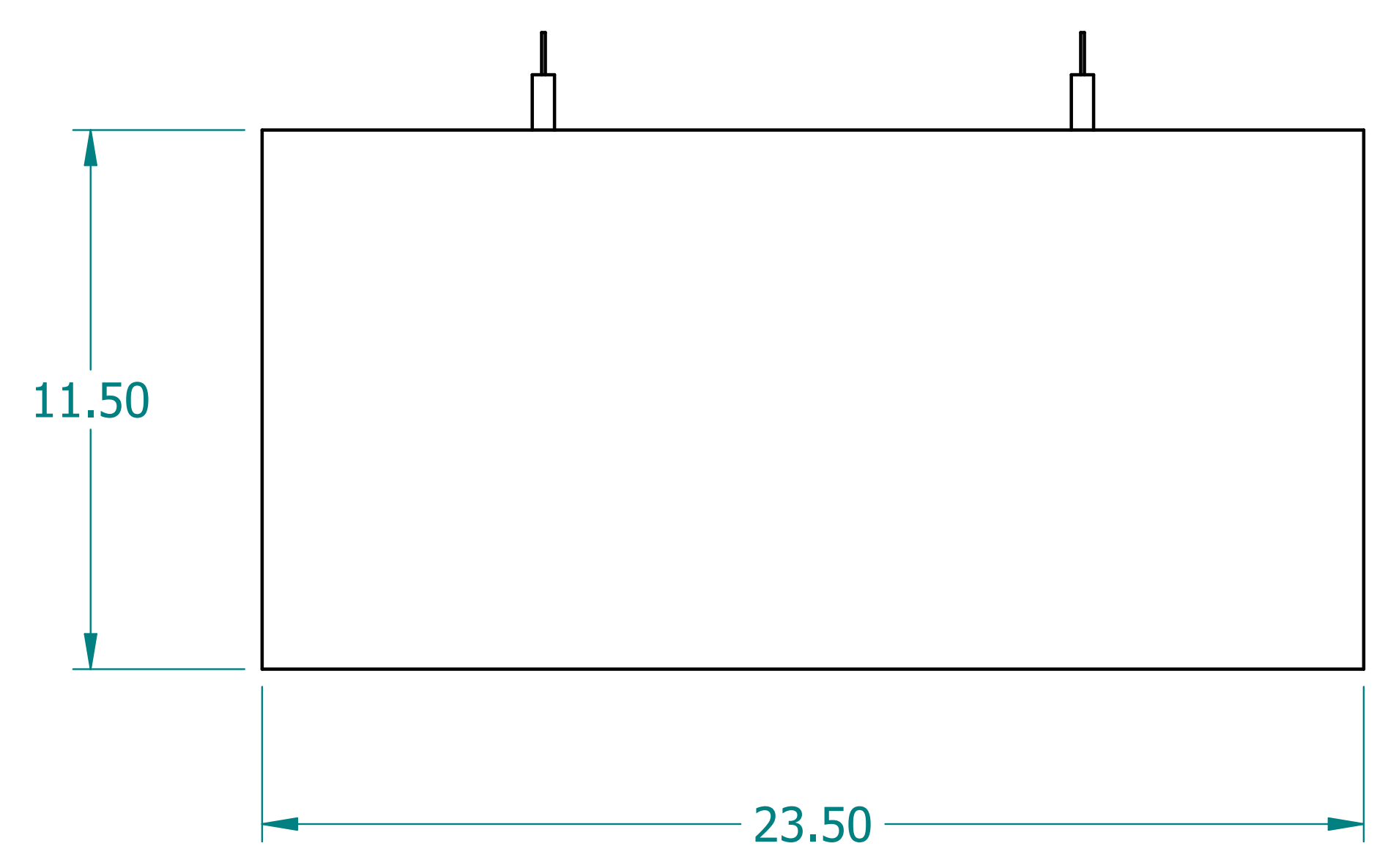
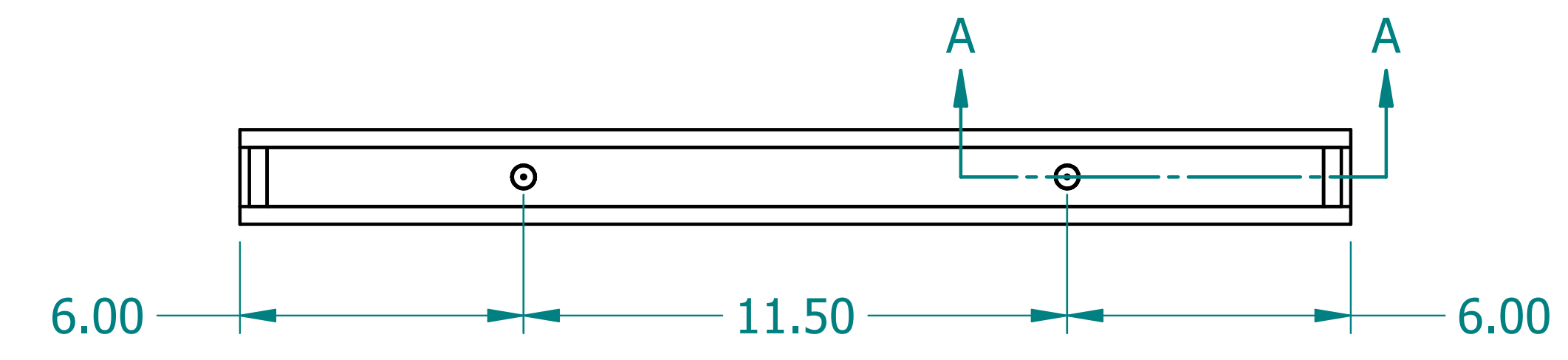
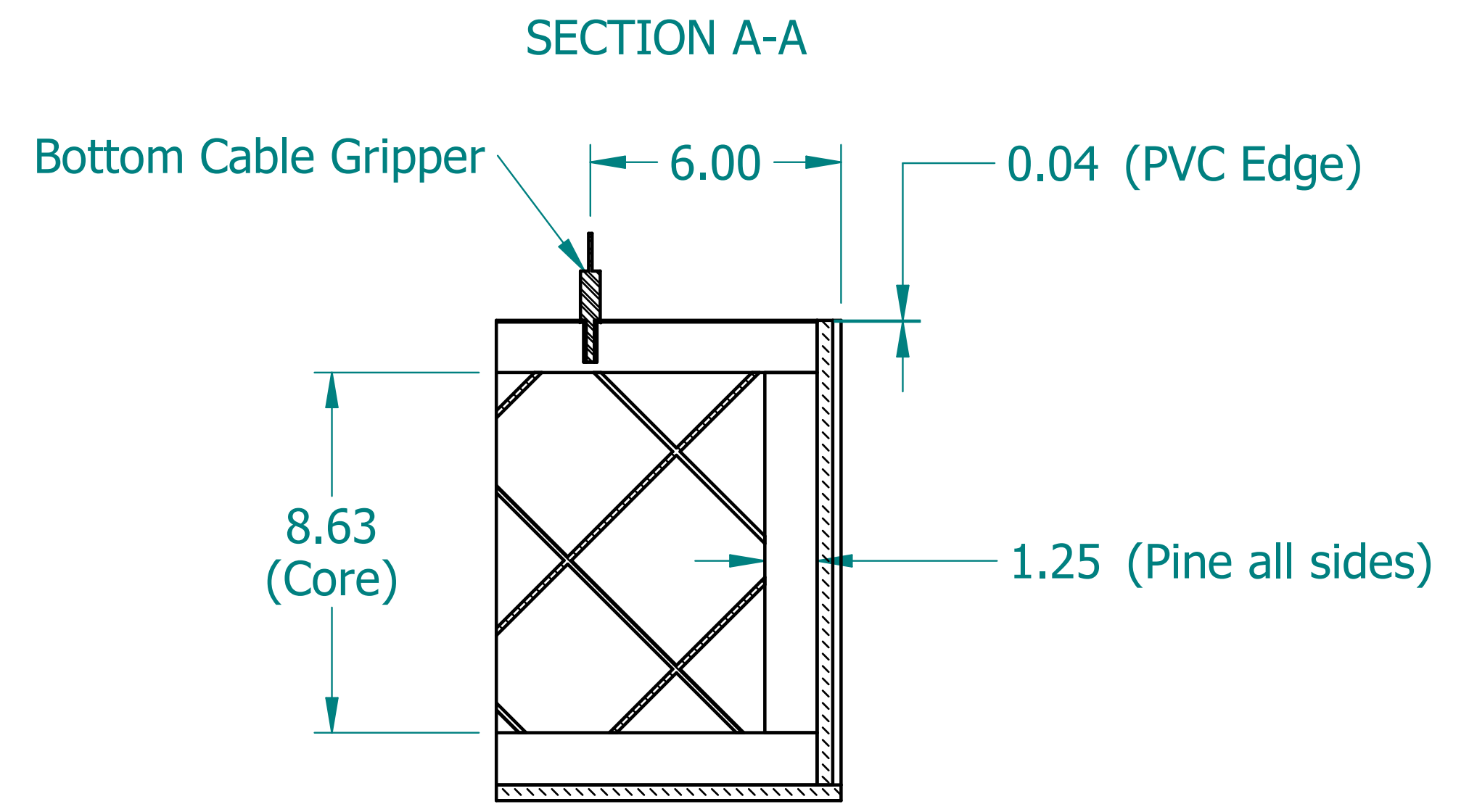
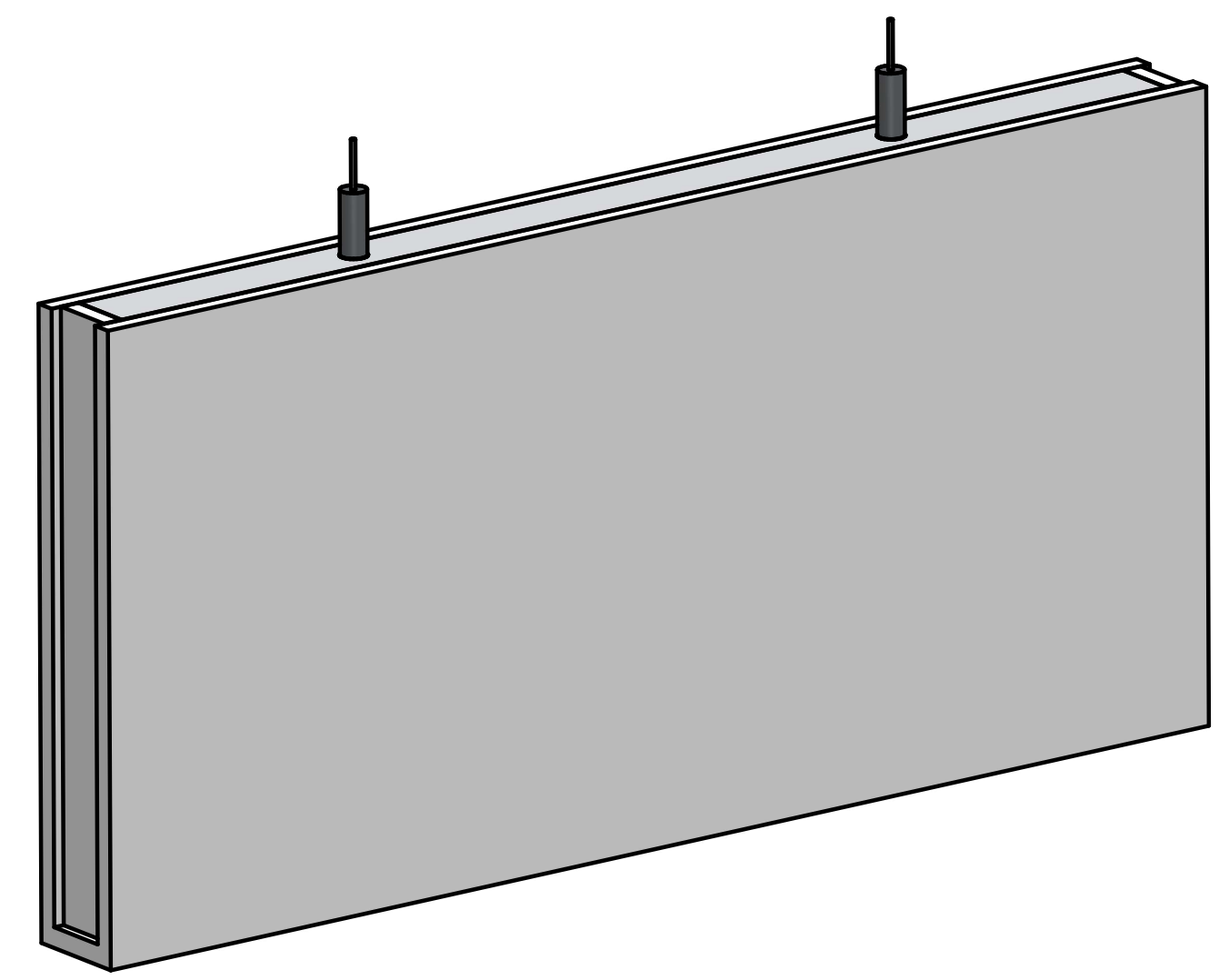


REVISION HISTORY			
REV.	DESCRIPTION	DATE	APPROVED



NAME	DATE	ALTISPACE		
DRAWN: SAI	03/11/20			
ENG APPR: ERIC	03/11/20			
<p>UNLESS OTHERWISE SPECIFIED DIMENSIONS ARE IN 'INCHES'</p> <p>ANGLES $\pm 0.8^\circ$; 2 PL ± 0.040 ; 3 PL ± 0.020</p>		TITLE: Acoustic Blade		
		SUBTITLE: 24"x12"x2"		
		PART NO: ABlade-008-XX	REV: 1.0	
		SIZE: 34"x22"	SCALE: 0.33	SHEET 1 OF 1
		FILE NAME: Acoustic Blade (24.12.2).dft		