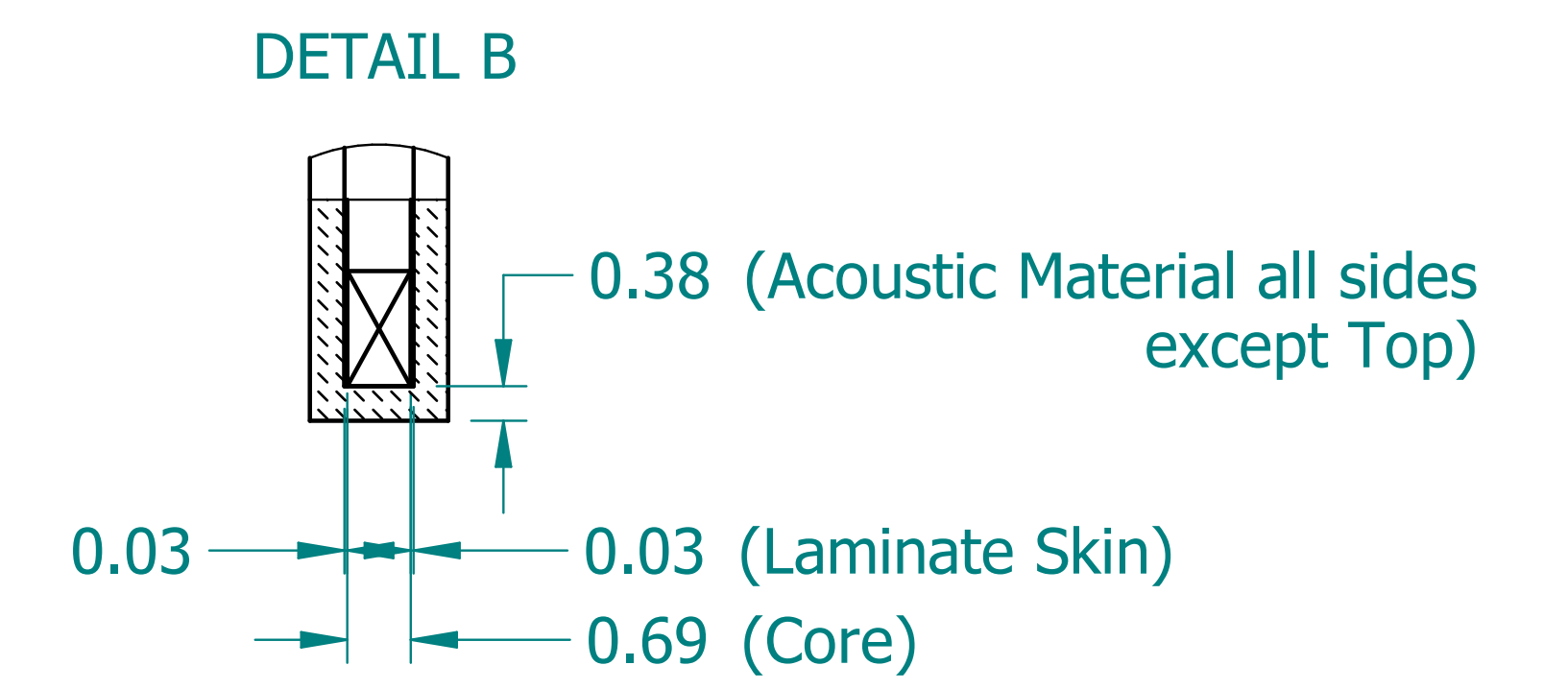
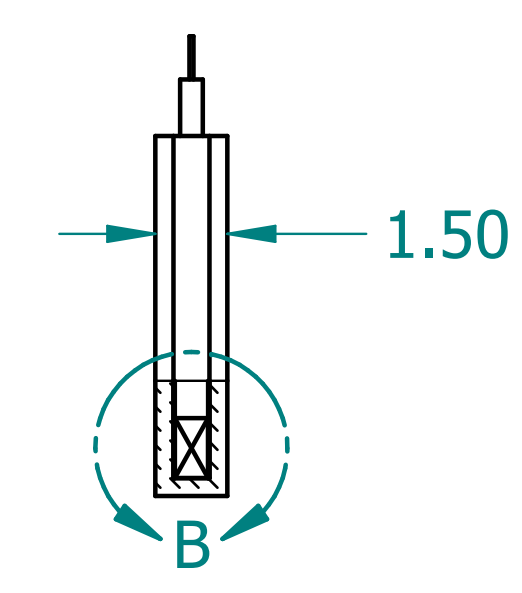
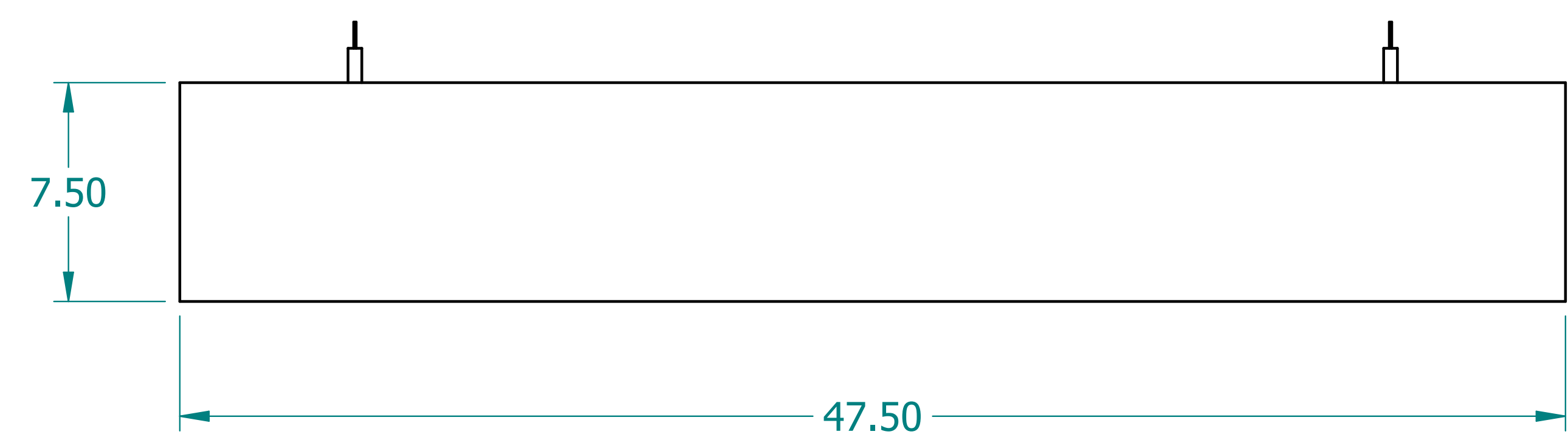
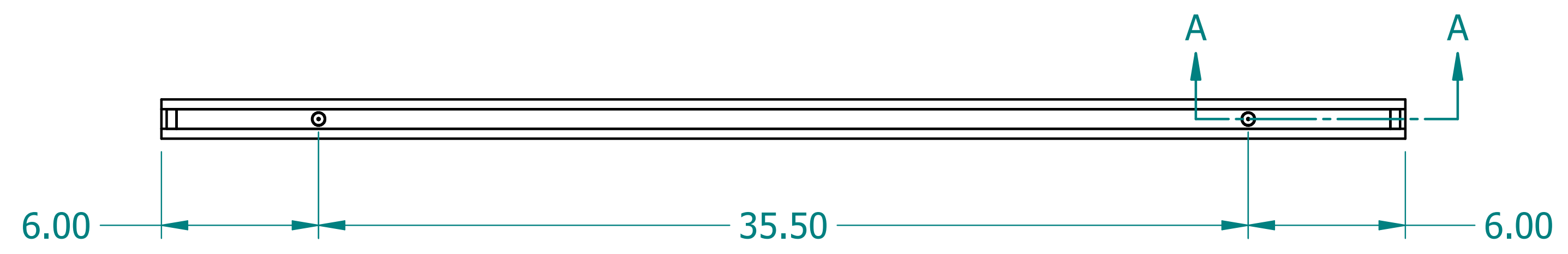
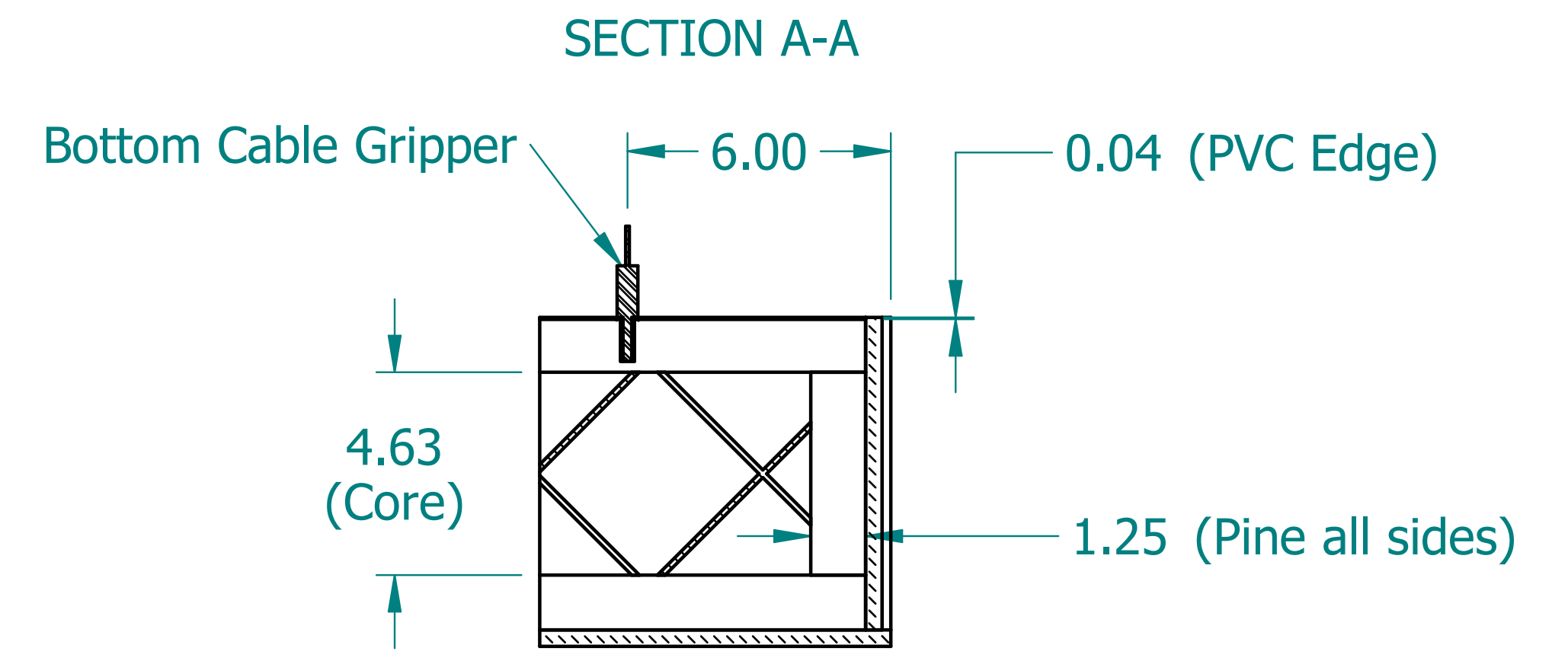
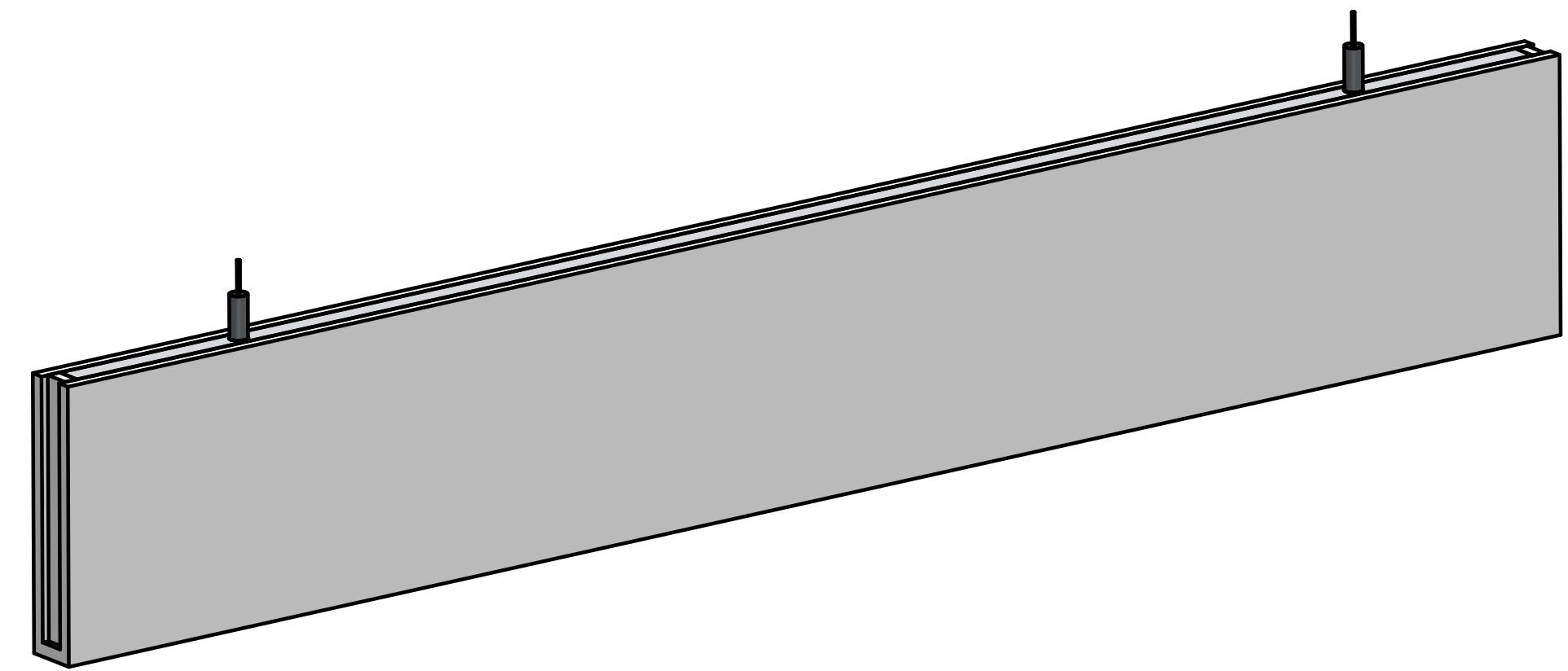


REVISION HISTORY			
REV.	DESCRIPTION	DATE	APPROVED



NAME	DATE	
DRAWN: SAI	03/11/20	
ENG APPR: ERIC	03/11/20	
<p>UNLESS OTHERWISE SPECIFIED DIMENSIONS ARE IN 'INCHES'</p> <p>ANGLES $\pm 0.8^\circ$; 2 PL ± 0.040 ; 3 PL ± 0.020</p>		<p>TITLE: Acoustic Blade</p> <p>SUBTITLE: 48"x8"x1.5"</p> <p>PART NO: ABlade-018-XX</p> <p>SIZE: 34"x22" SCALE: 0.25</p> <p>FILE NAME: Acoustic Blade (48.8.1.5).dft</p>
REV.	DATE	APPROVED



TITLE	Acoustic Blade	
SUBTITLE	48"x8"x1.5"	
PART NO:	ABlade-018-XX	REV. 1.0
SIZE: 34"x22"	SCALE: 0.25	SHEET 1 OF 1
FILE NAME: Acoustic Blade (48.8.1.5).dft		