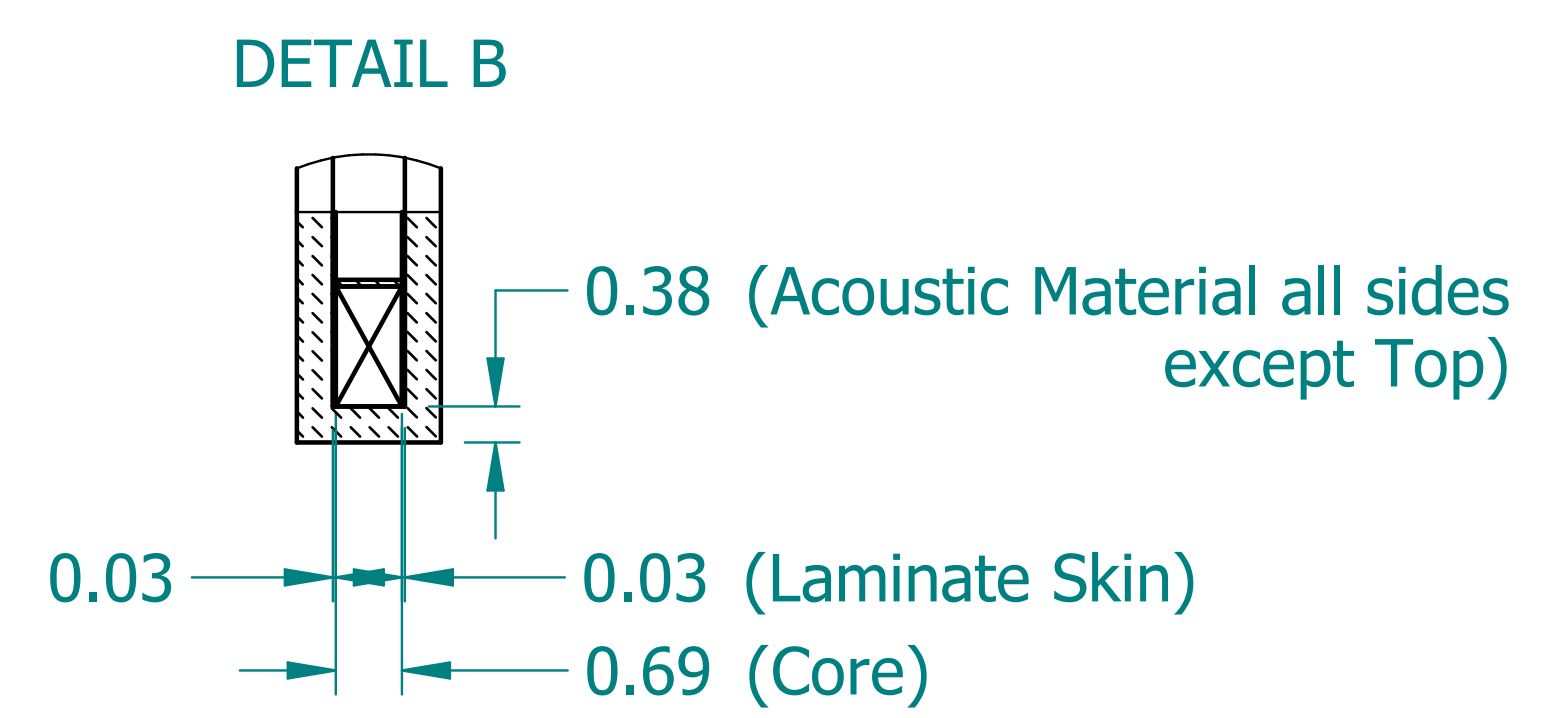
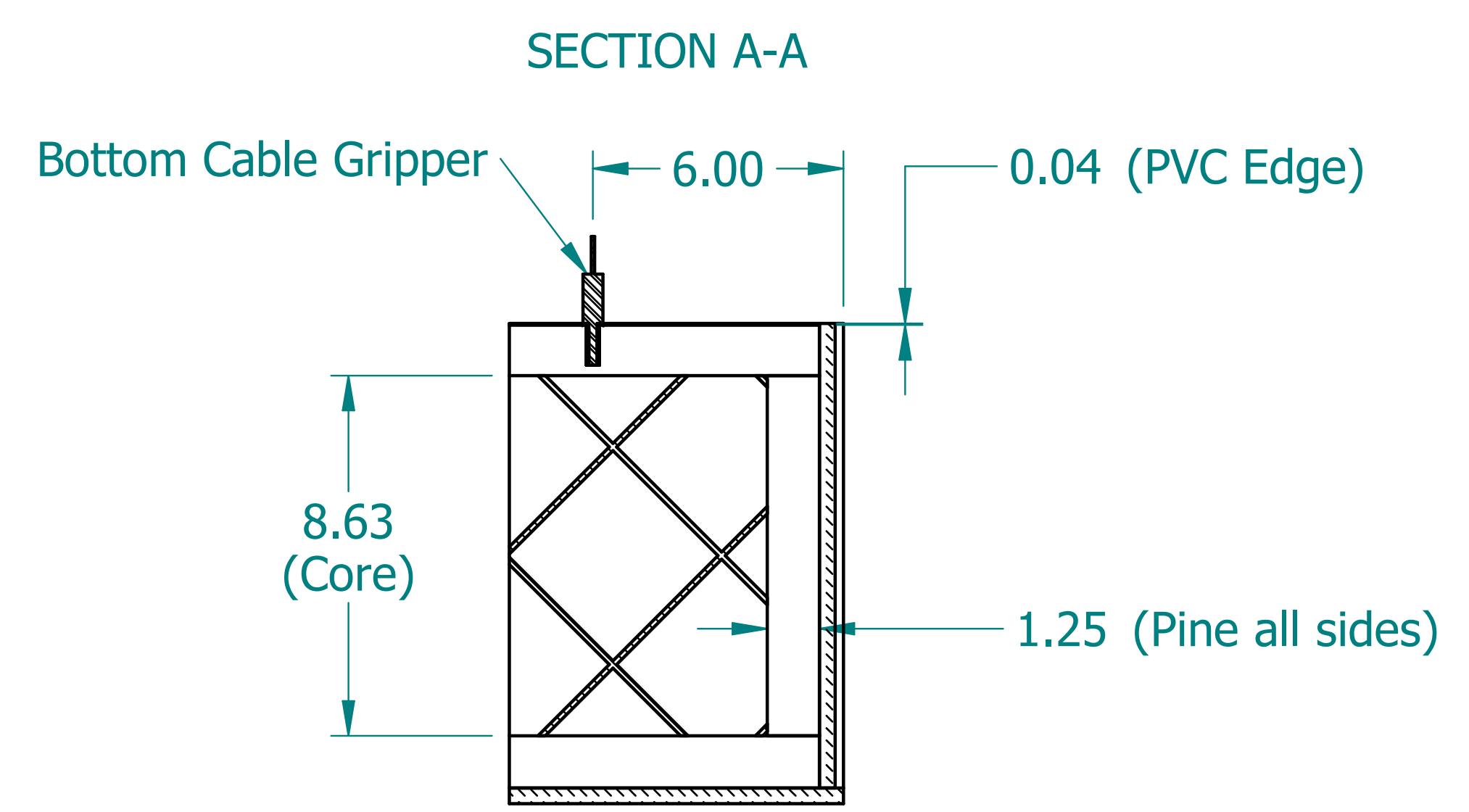
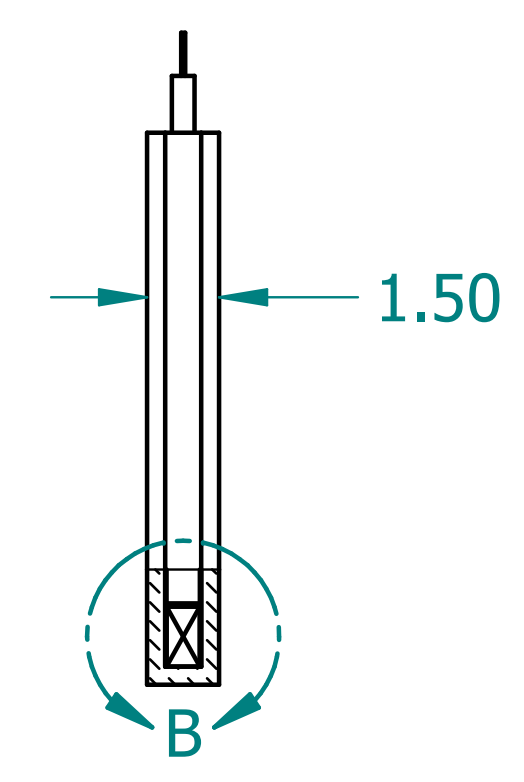
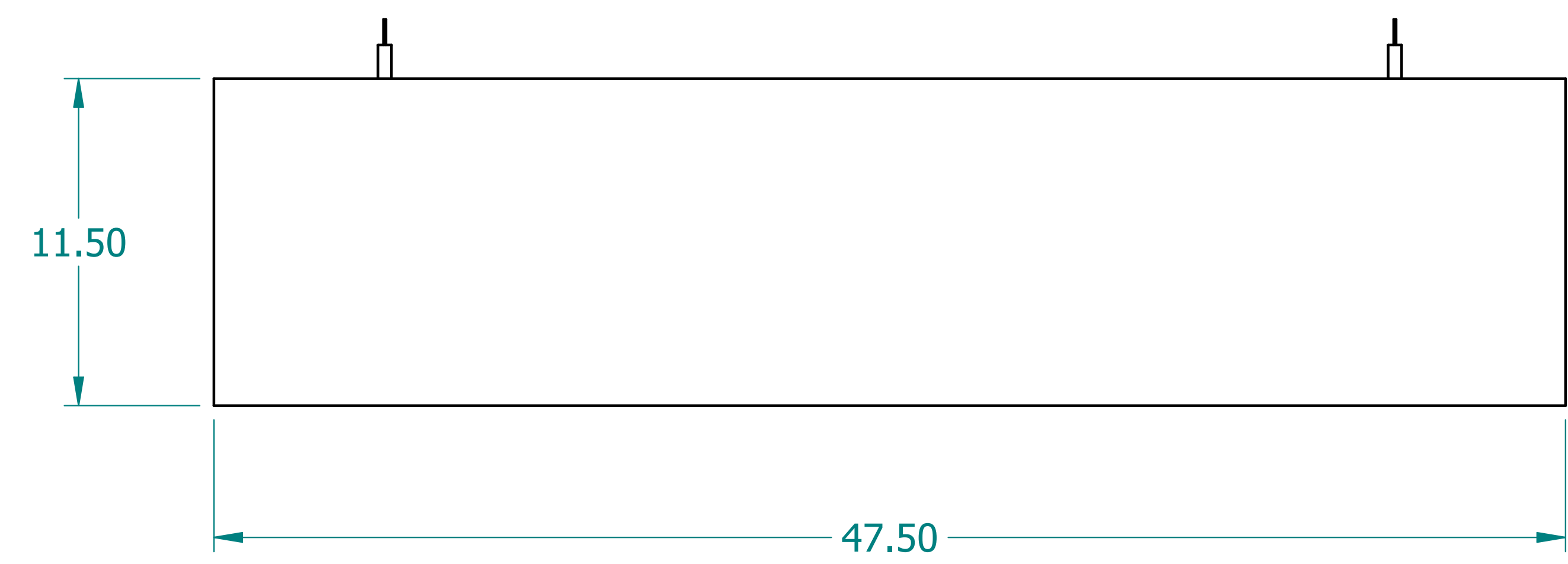
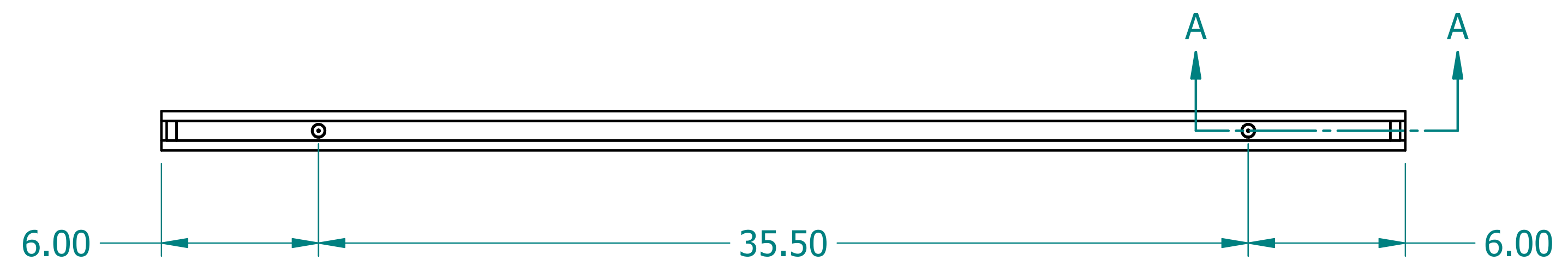
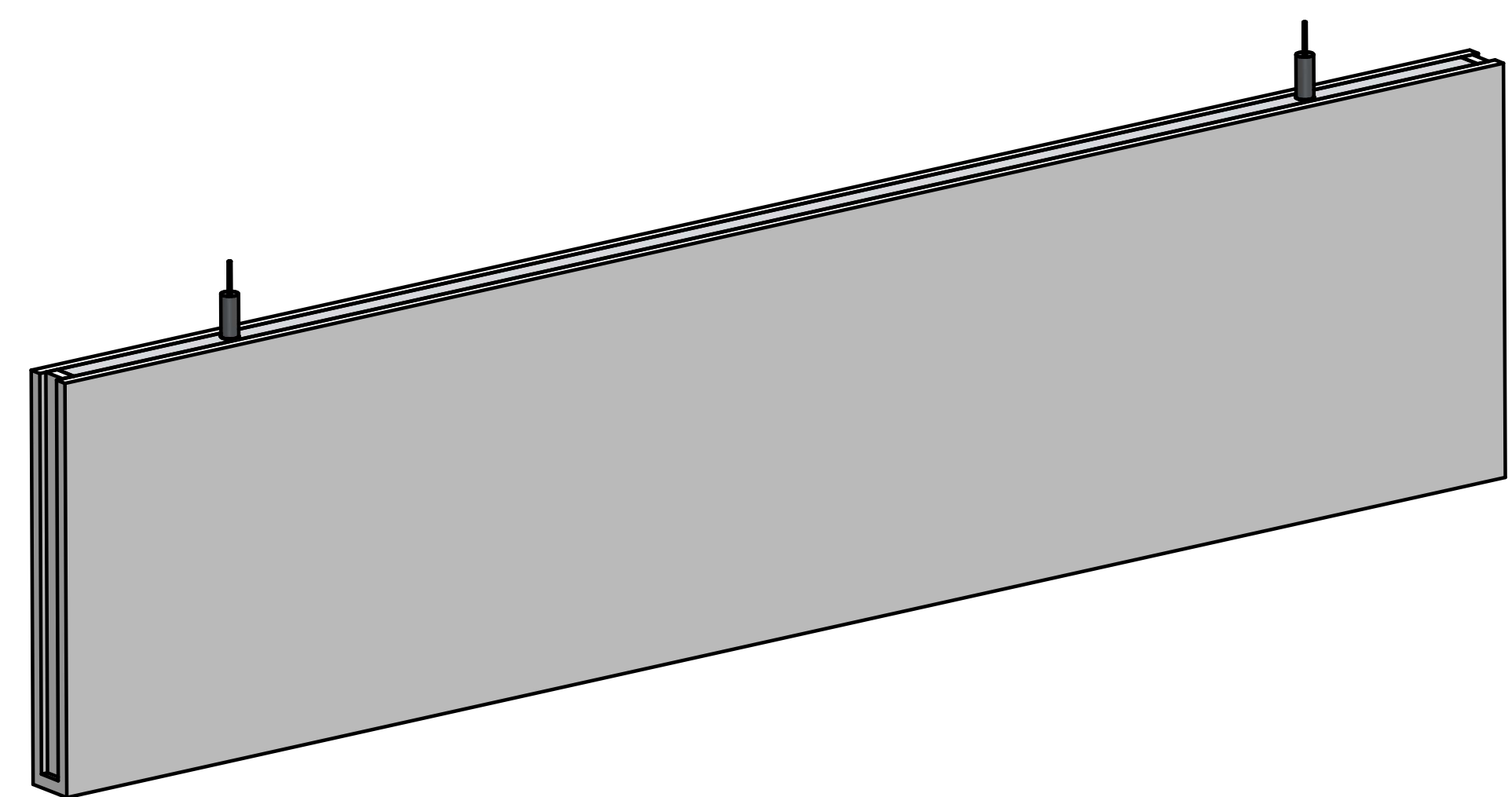

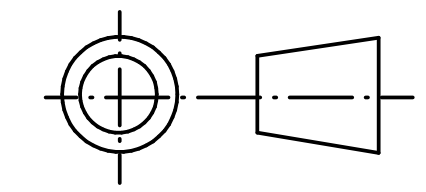


REVISION HISTORY			
REV.	DESCRIPTION	DATE	APPROVED



NAME	DATE	
DRAWN: SAI	03/11/20	
ENG APPR: ERIC	03/11/20	
 <p>UNLESS OTHERWISE SPECIFIED DIMENSIONS ARE IN 'INCHES' ANGLES $\pm 0.8^\circ$; 2 PL ± 0.040 ; 3 PL ± 0.020</p>		TITLE: Acoustic Blade SUBTITLE: 48"x12"x1.5" PART NO: ABlade-020-XX REV. 1.0 SIZE: 34"x22" SCALE: 0.25 SHEET 1 OF 1 FILE NAME: Acoustic Blade (48.12.1.5).dft