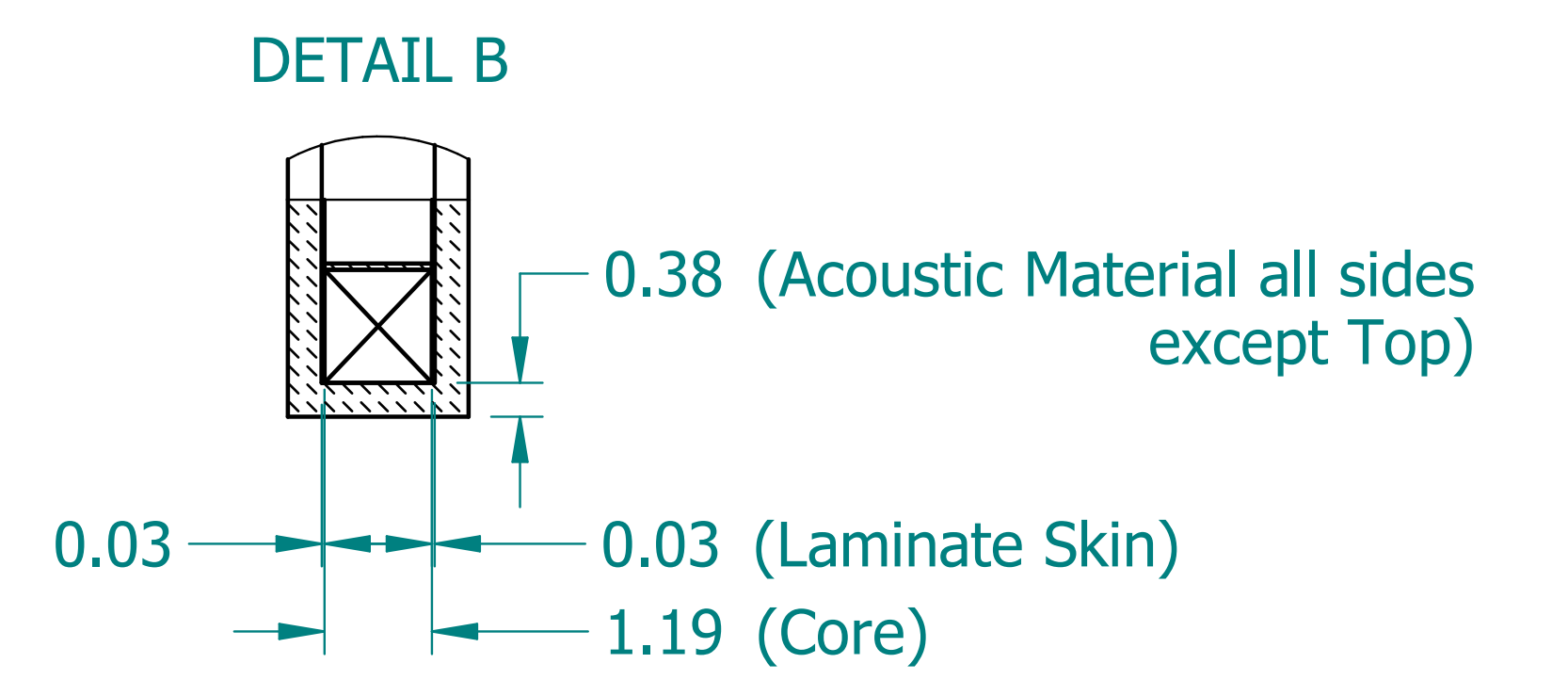
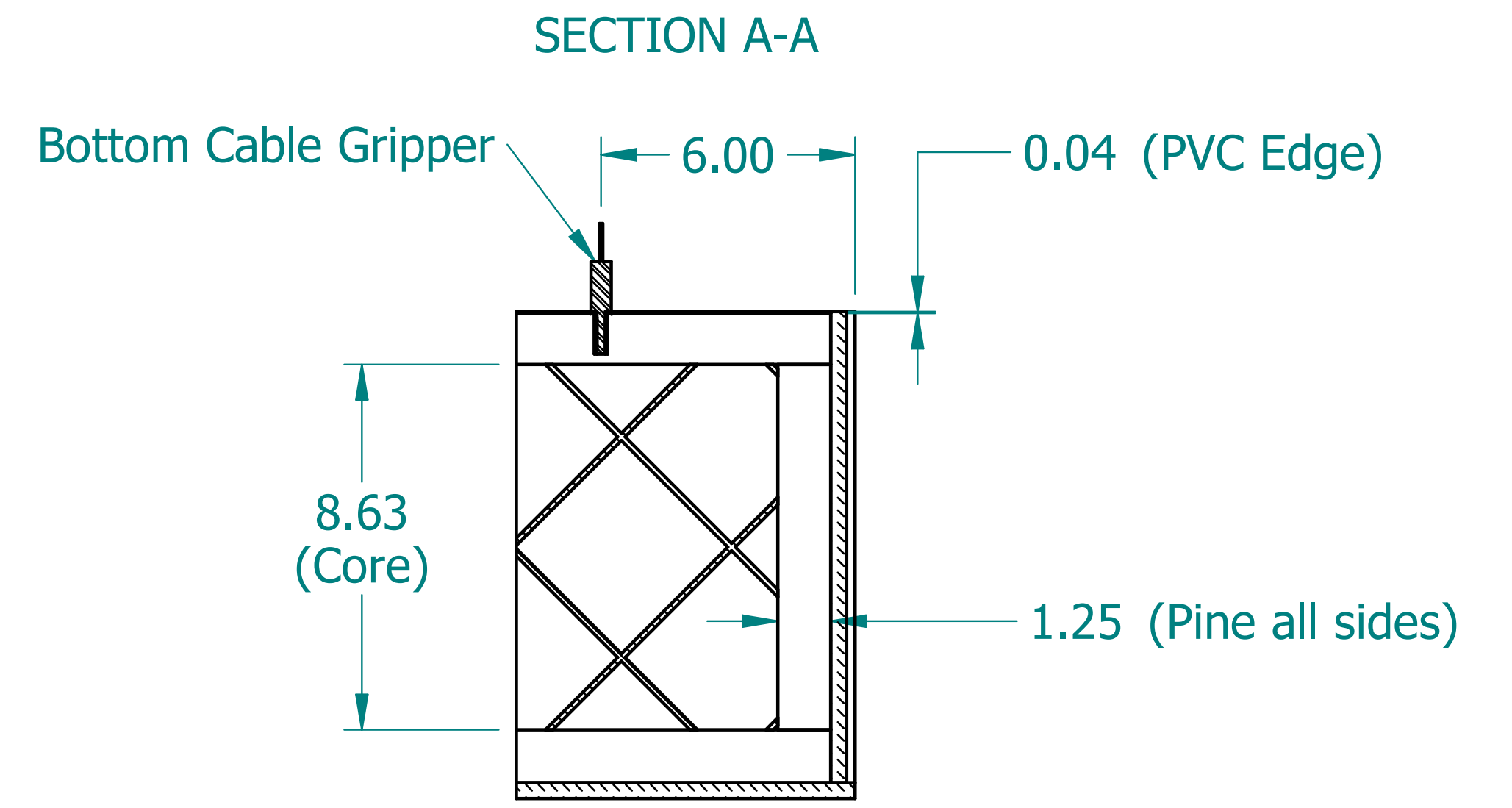
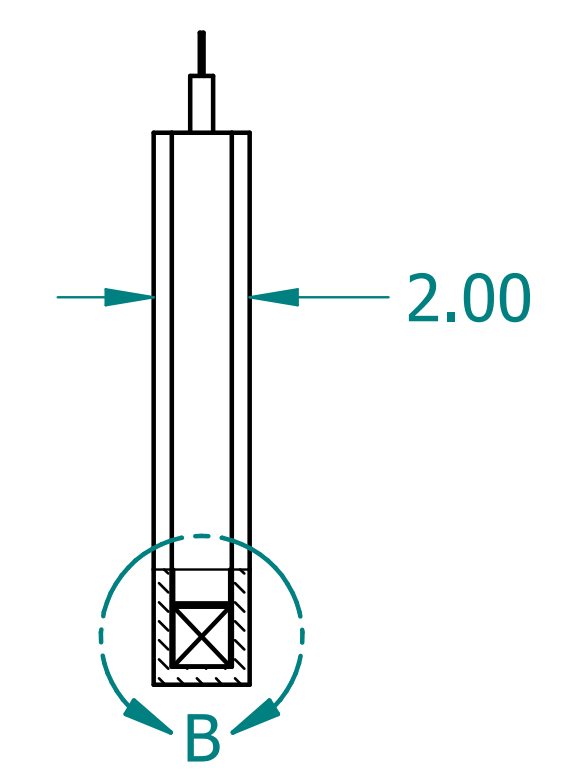
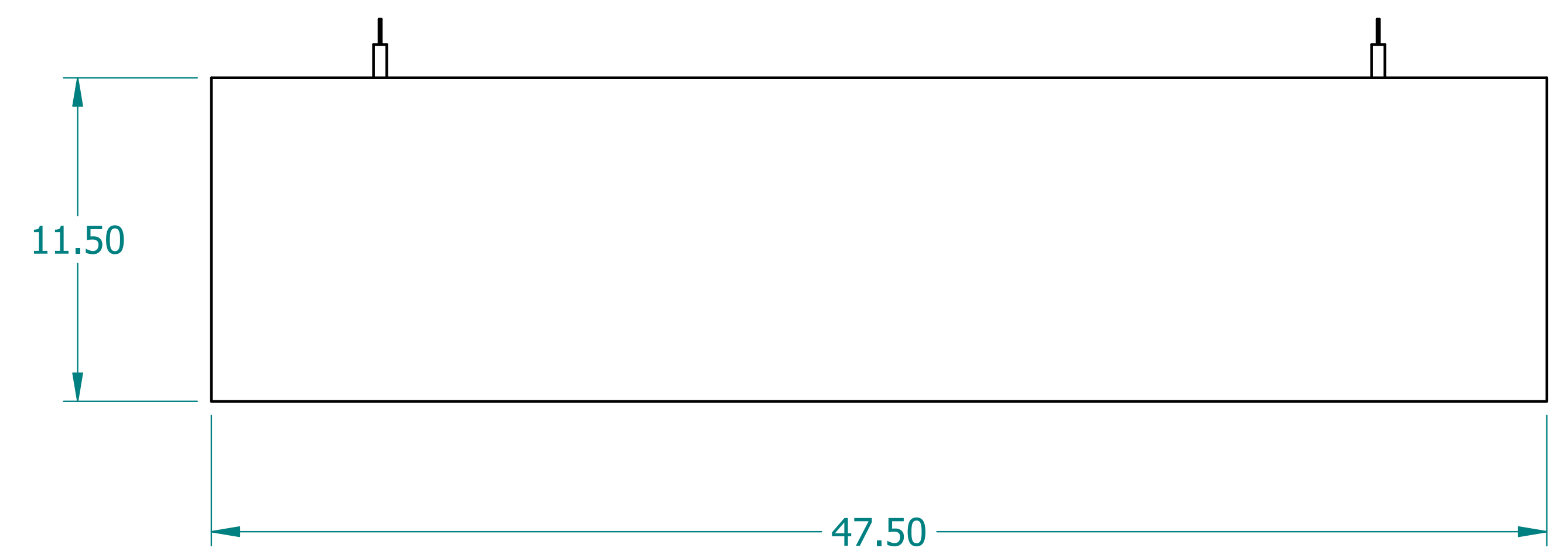
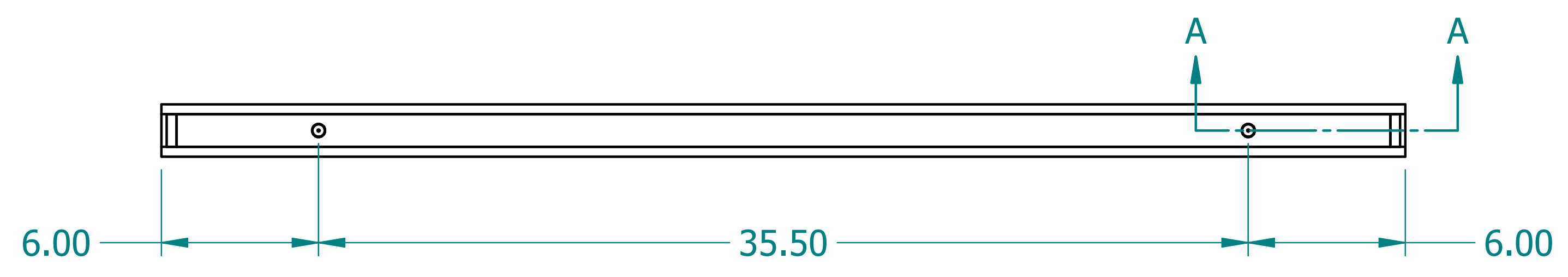
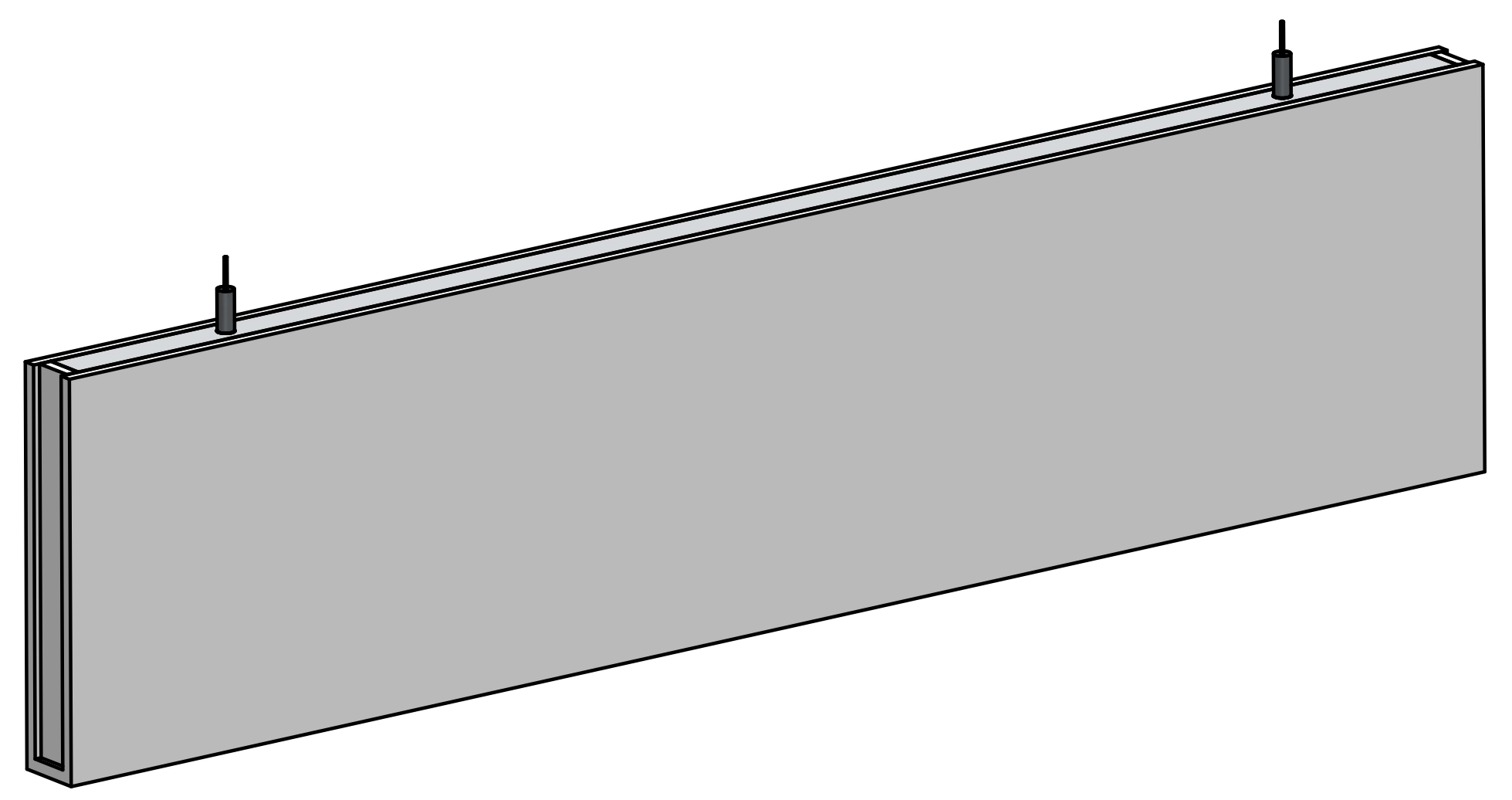

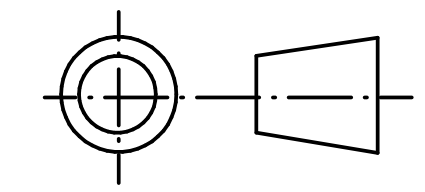


REVISION HISTORY			
REV.	DESCRIPTION	DATE	APPROVED



NAME	DATE	
DRAWN: SAI	03/11/20	
ENG APPR: ERIC	03/11/20	
 <p>UNLESS OTHERWISE SPECIFIED DIMENSIONS ARE IN 'INCHES'          ANGLES <math>\pm 0.8^\circ</math> ; 2 PL <math>\pm 0.040</math> ;          3 PL <math>\pm 0.020</math></p>		TITLE: <b>Acoustic Blade</b> SUBTITLE: <b>48"x12"x2"</b> PART NO: <b>ABlade-024-XX</b> REV. <b>1.0</b> SIZE: 34"x22"    SCALE: 0.25    SHEET 1 OF 1 FILE NAME: Acoustic Blade (48.12.2).dft