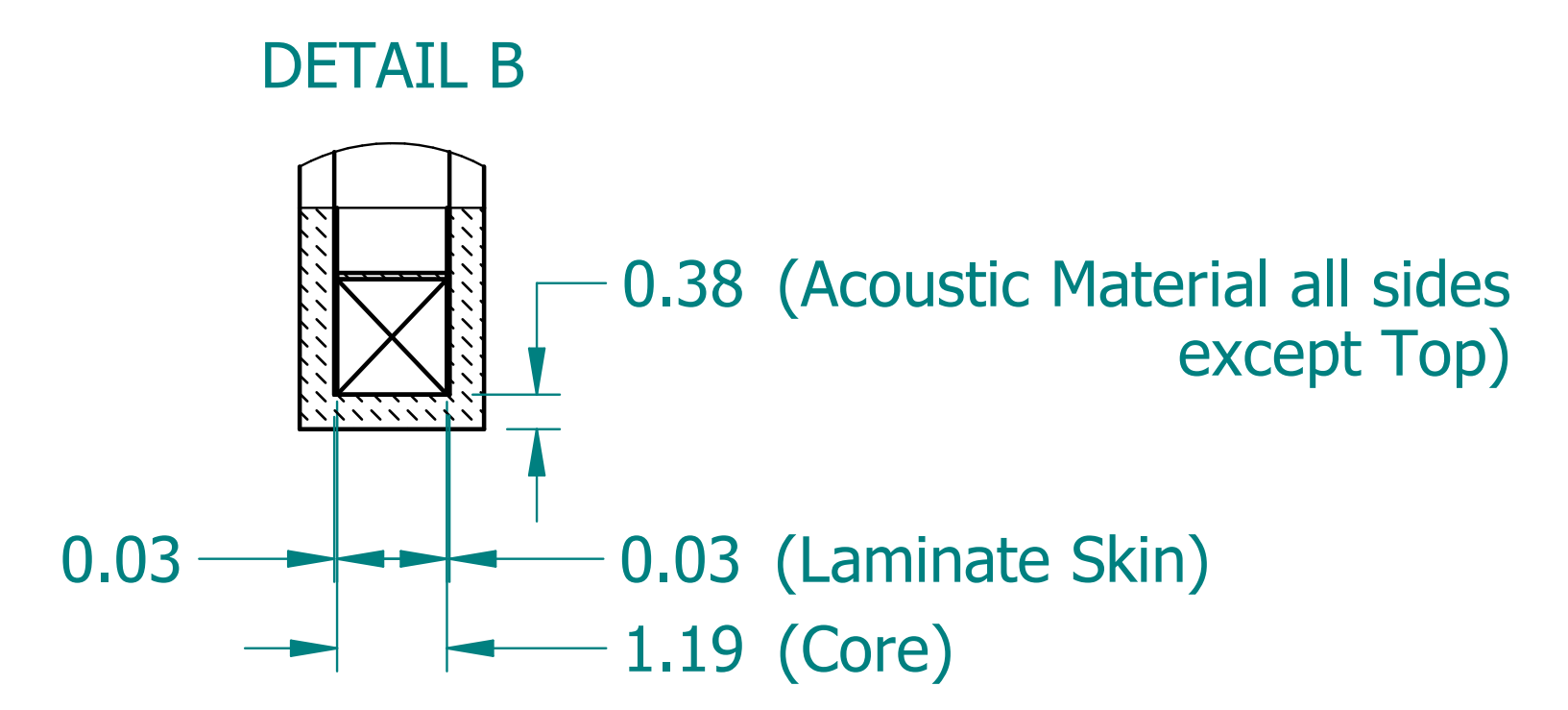
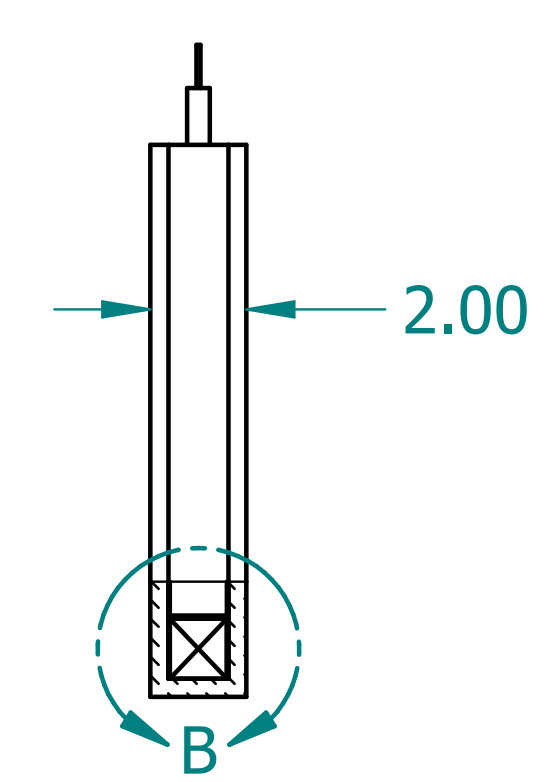
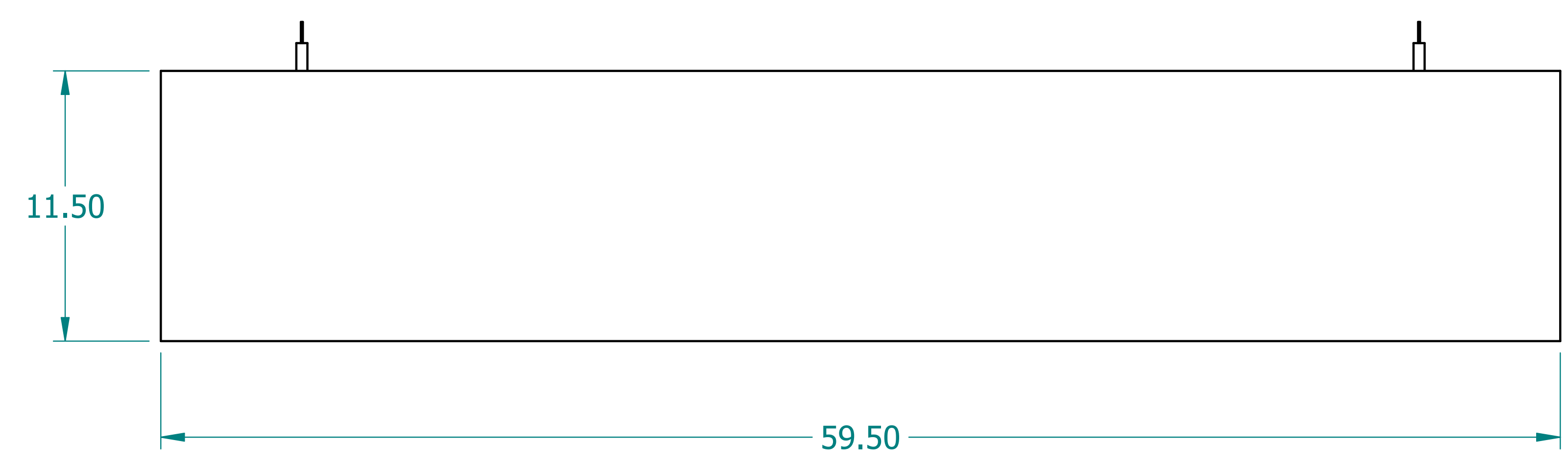
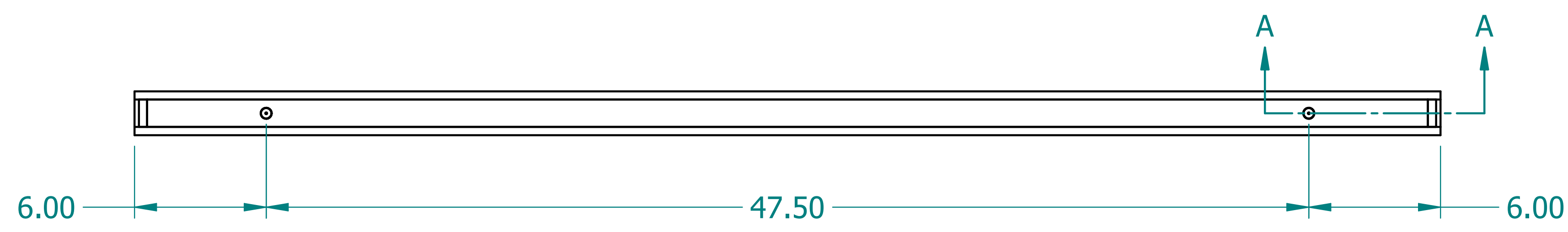
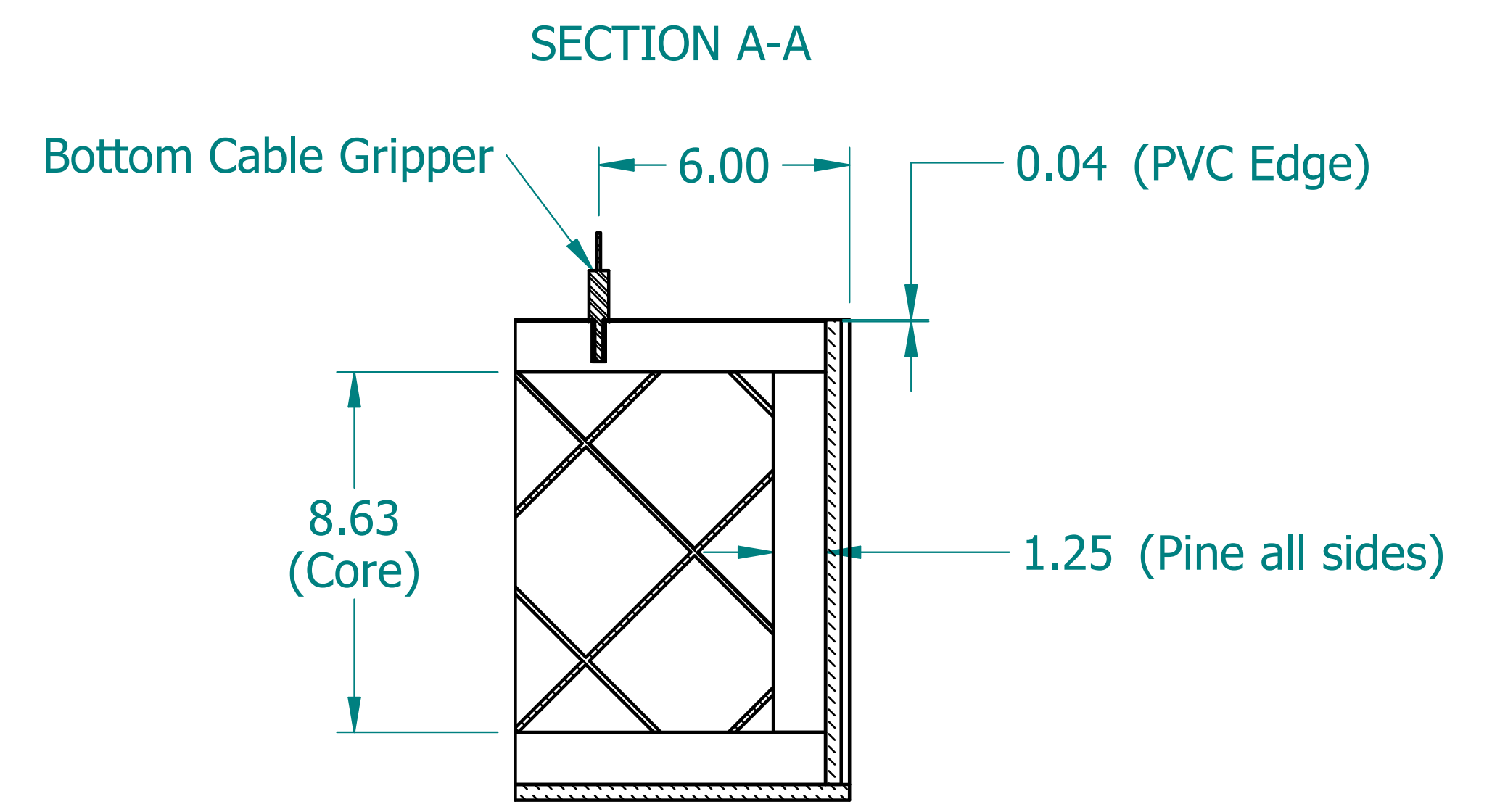
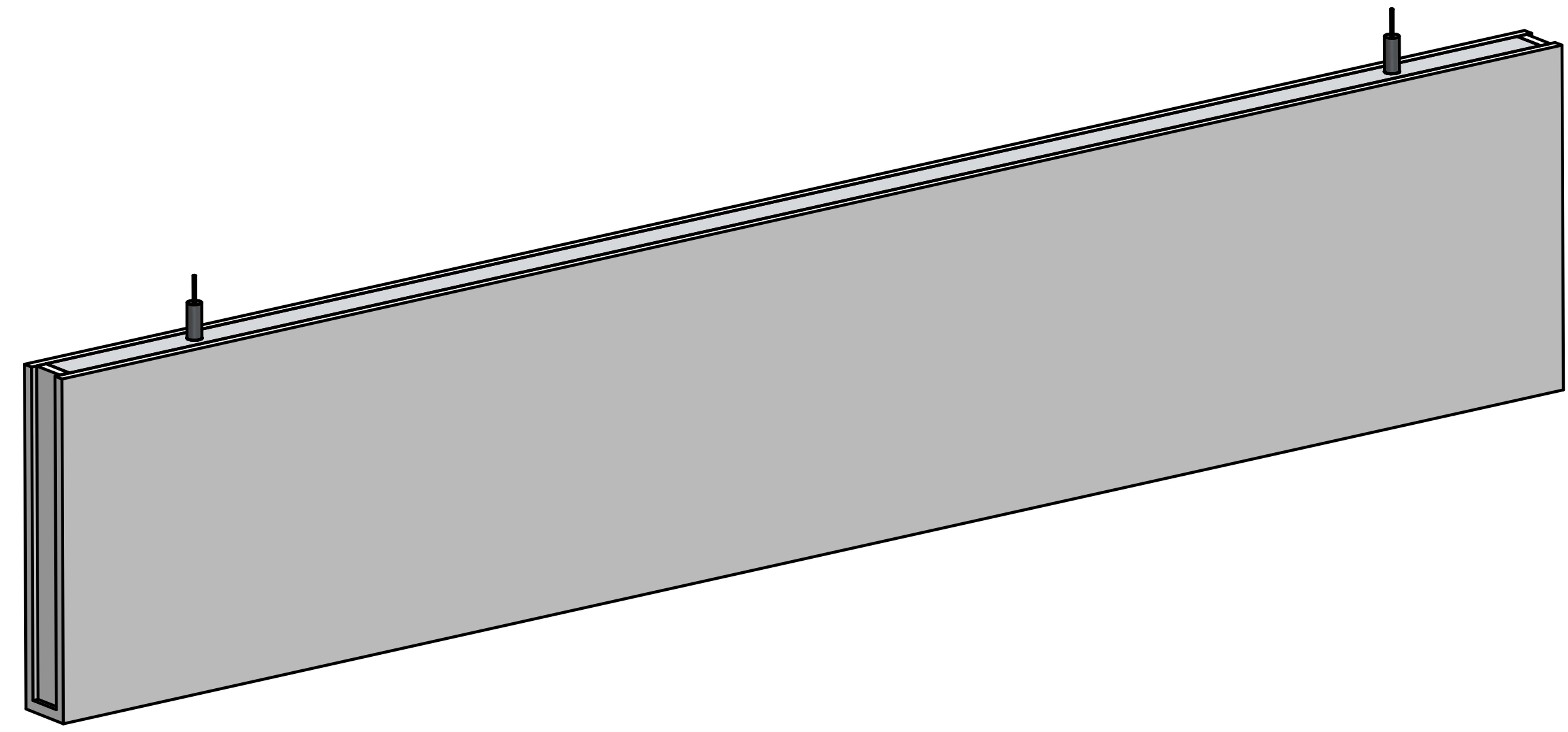


REVISION HISTORY			
REV.	DESCRIPTION	DATE	APPROVED



NAME	DATE	
DRAWN: SAI	03/11/20	
ENG APPR: ERIC	03/11/20	
<p>UNLESS OTHERWISE SPECIFIED DIMENSIONS ARE IN 'INCHES'</p> <p>ANGLES $\pm 0.8^\circ$; 2 PL ± 0.040 ; 3 PL ± 0.020</p>		<p>TITLE: Acoustic Blade</p> <p>SUBTITLE: 60"x12"x2"</p> <p>PART NO: ABlade-032-XX</p> <p>SIZE: 34"x22" SCALE: 0.25</p> <p>REV. 1.0</p> <p>SHEET 1 OF 1</p> <p>FILE NAME: Acoustic Blade (60.12.2).dft</p>