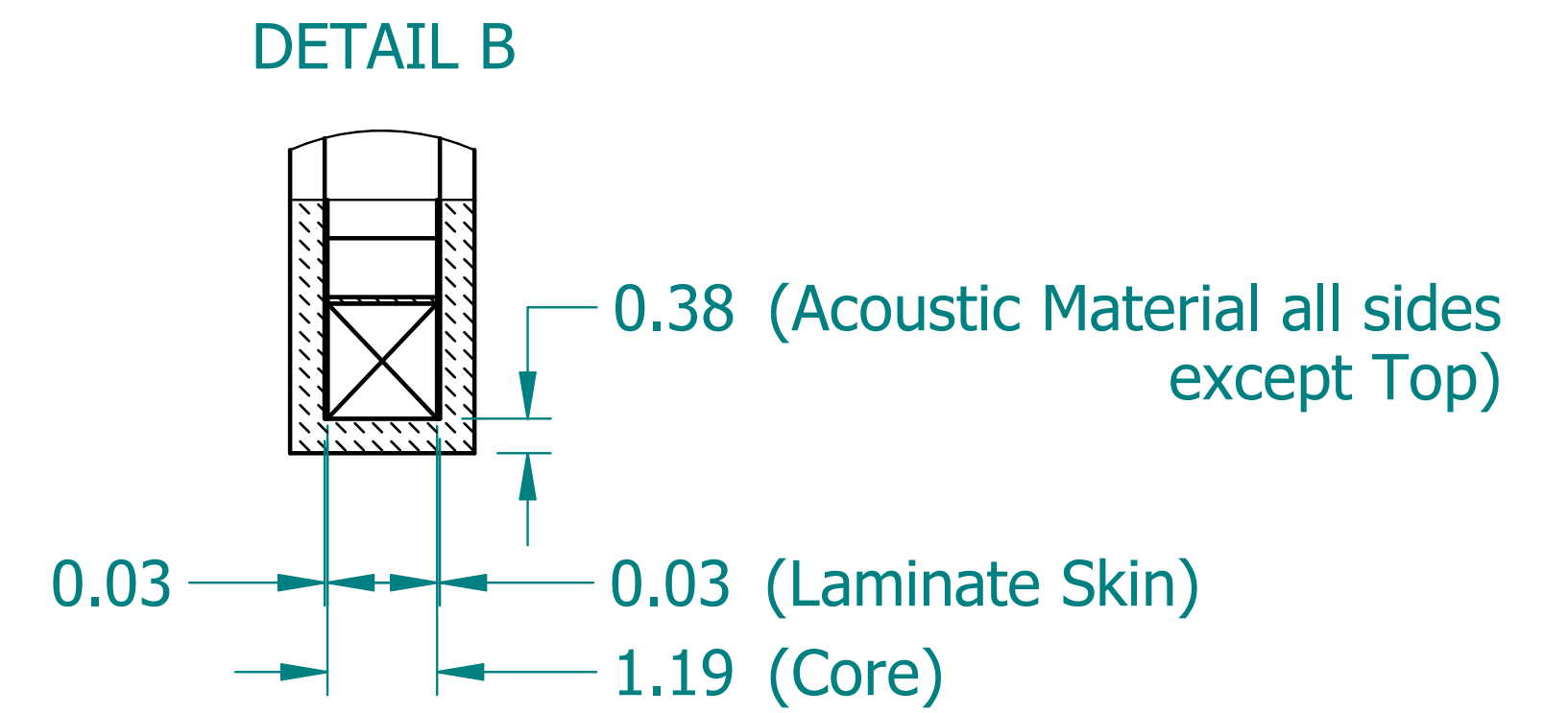
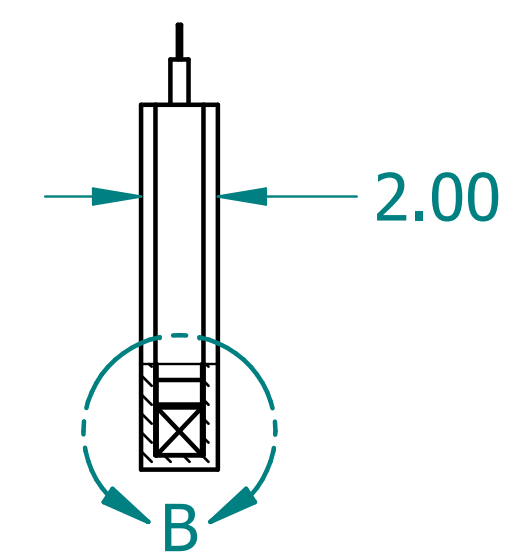
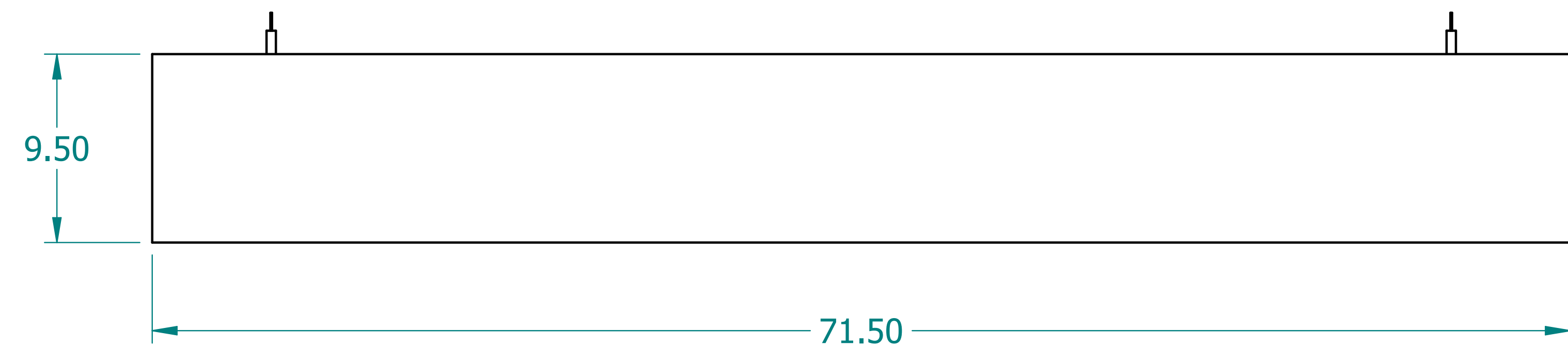
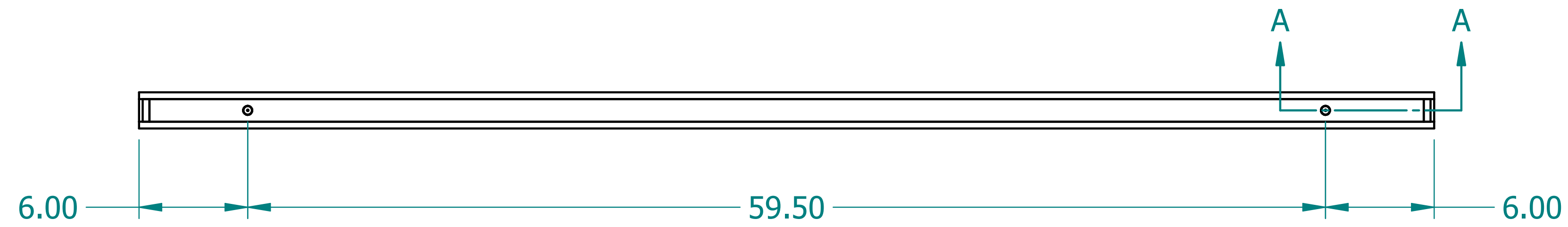
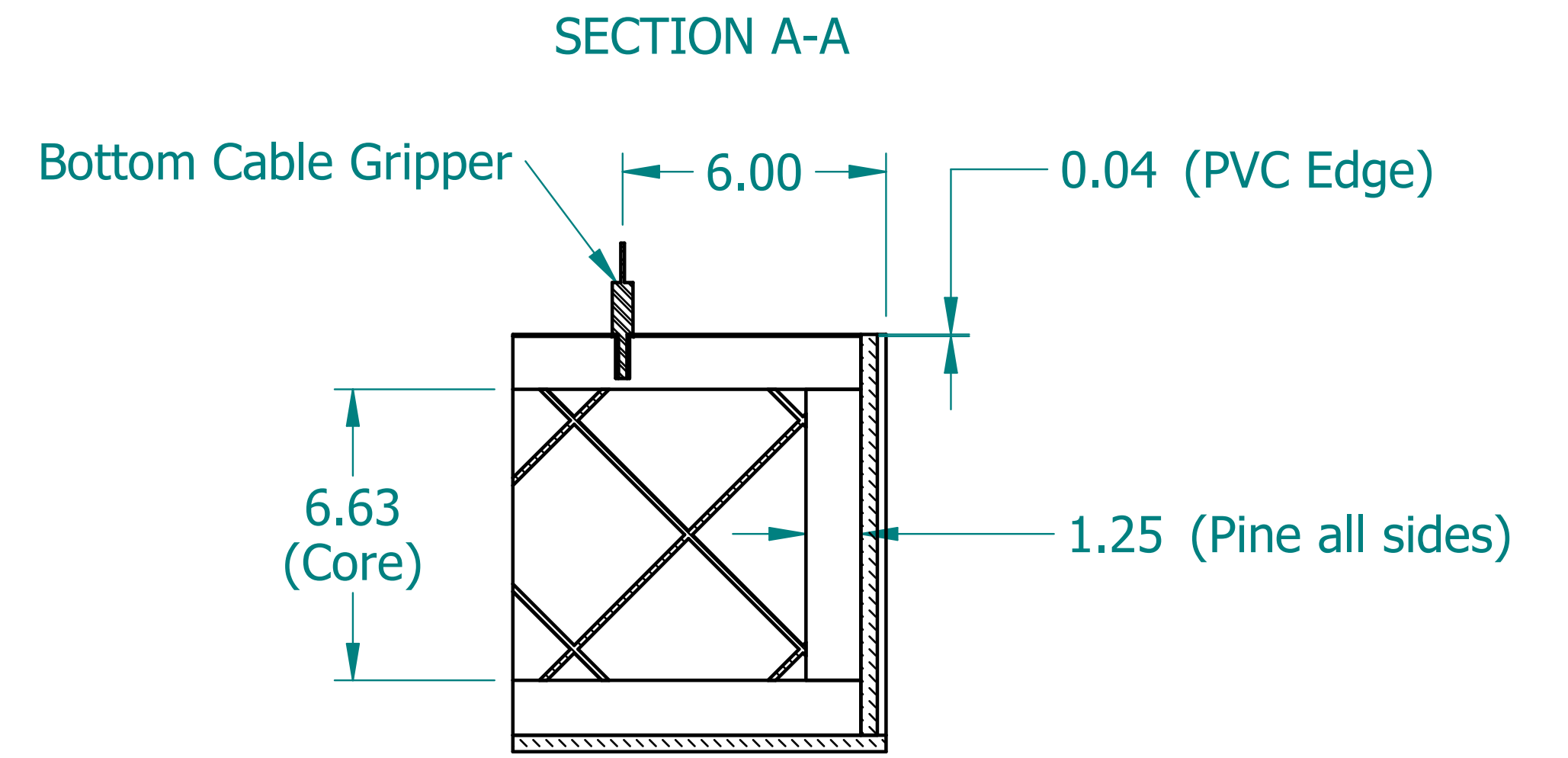
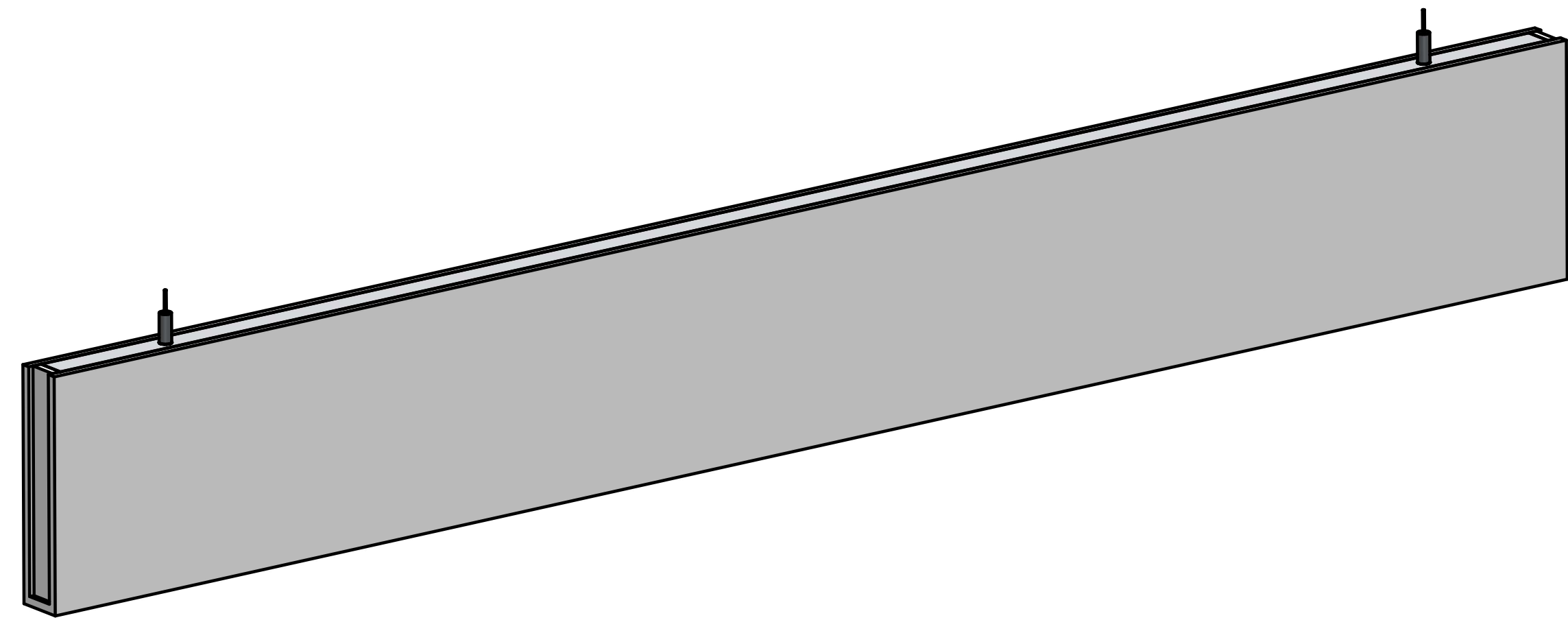


REVISION HISTORY			
REV.	DESCRIPTION	DATE	APPROVED



NAME	DATE	
DRAWN: SAI	03/11/20	
ENG APPR: ERIC	03/11/20	
<p>UNLESS OTHERWISE SPECIFIED DIMENSIONS ARE IN 'INCHES'</p> <p>ANGLES $\pm 0.8^\circ$; 2 PL ± 0.040 ; 3 PL ± 0.020</p>		<p>TITLE: Acoustic Blade</p> <p>SUBTITLE: 72"x10"x2"</p> <p>PART NO: ABlade-039-XX REV. 1.0</p> <p>SIZE: 34"x22" SCALE: 0.20 SHEET 1 OF 1</p> <p>FILE NAME: Acoustic Blade (72.10.2).dft</p>