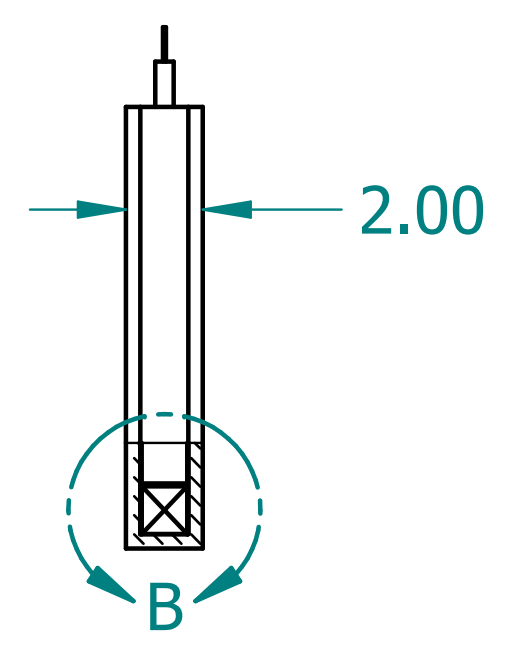
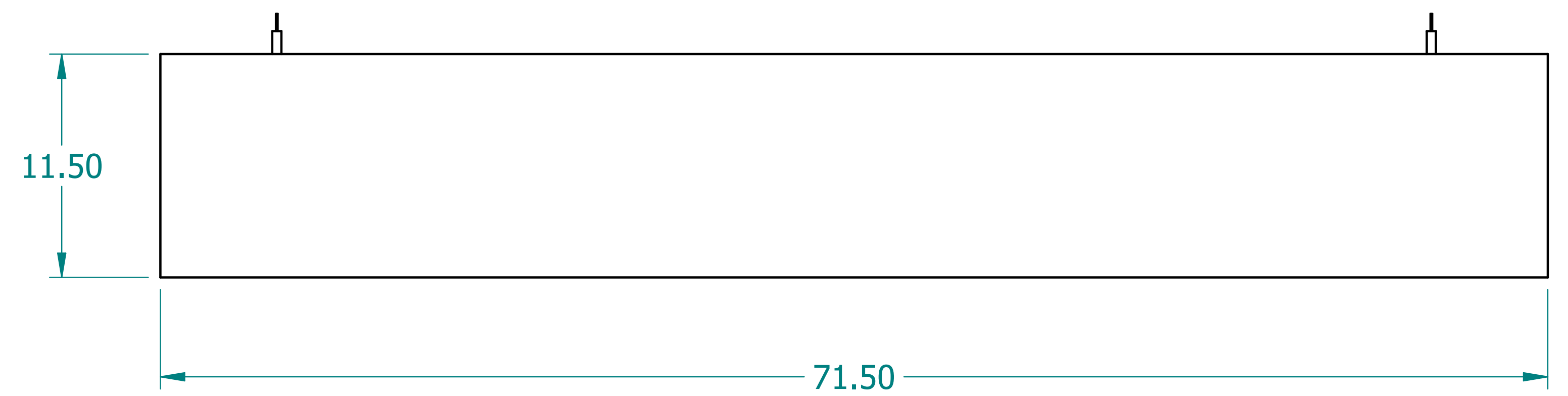
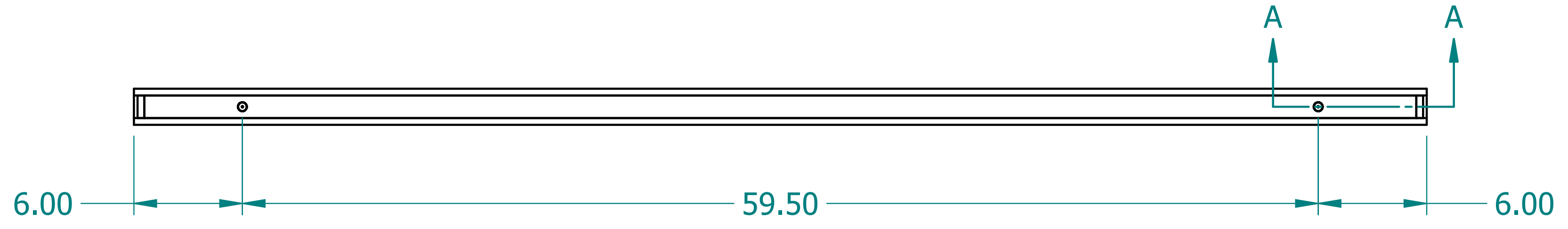
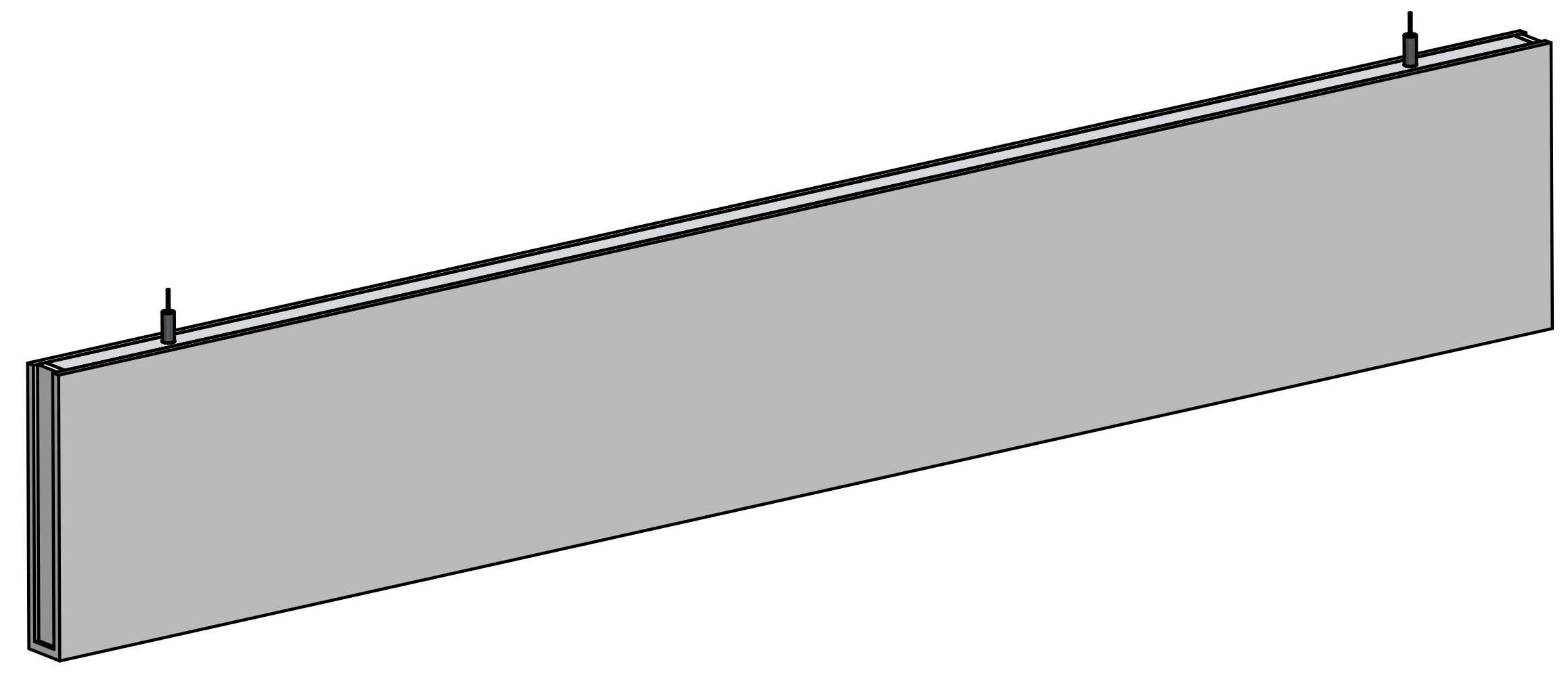
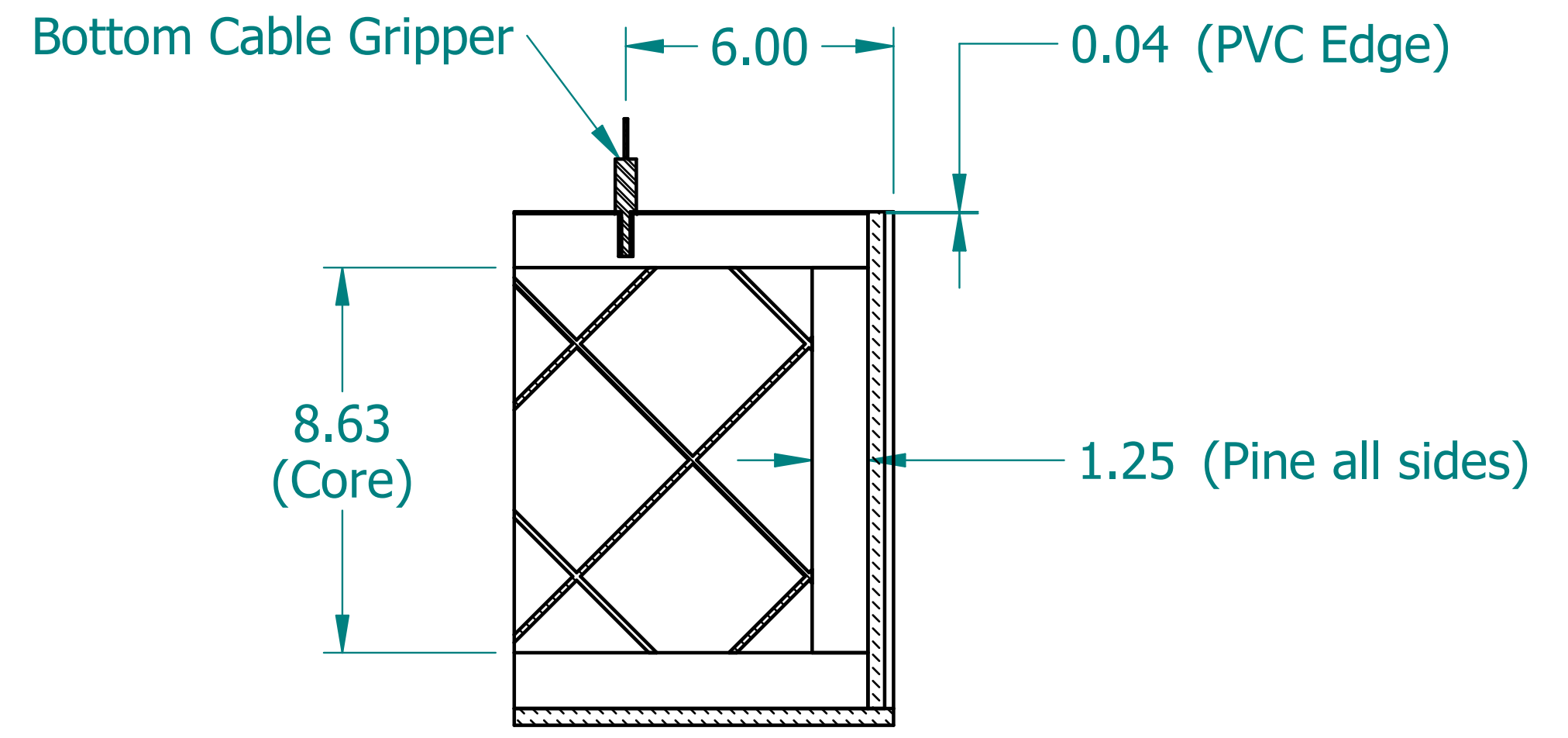


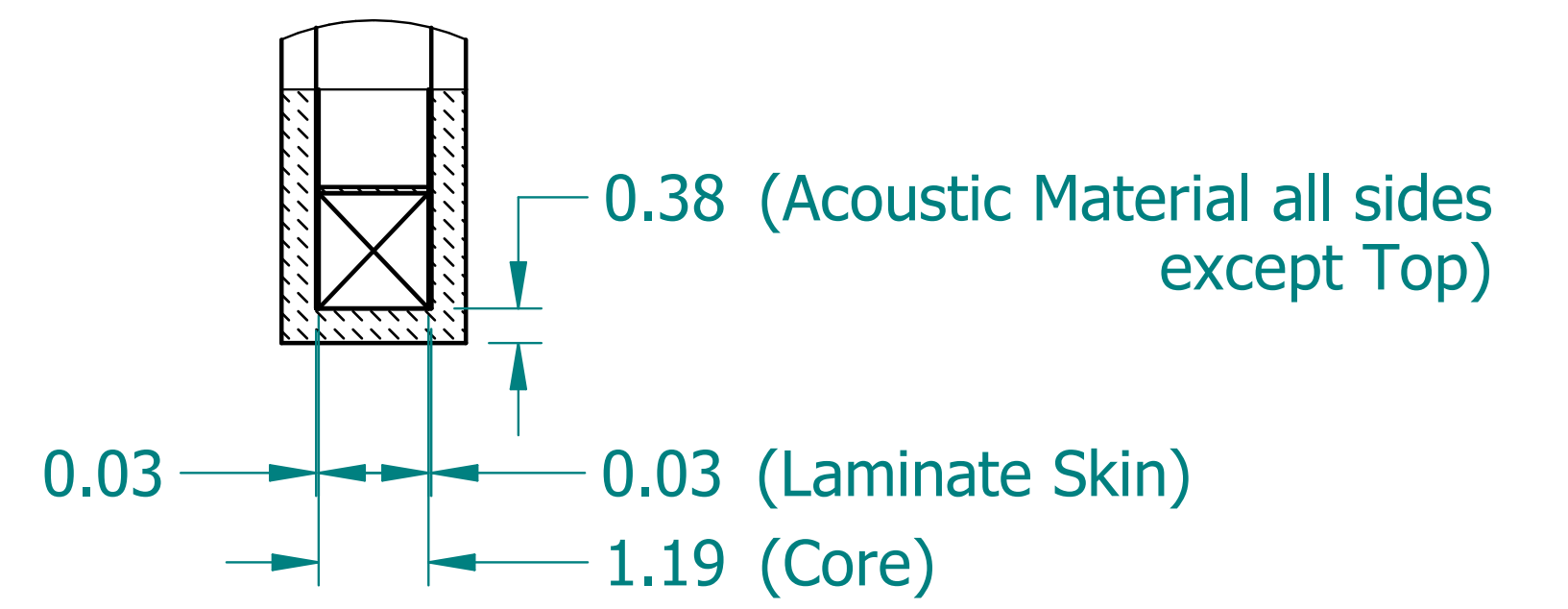
REVISION HISTORY			
REV.	DESCRIPTION	DATE	APPROVED



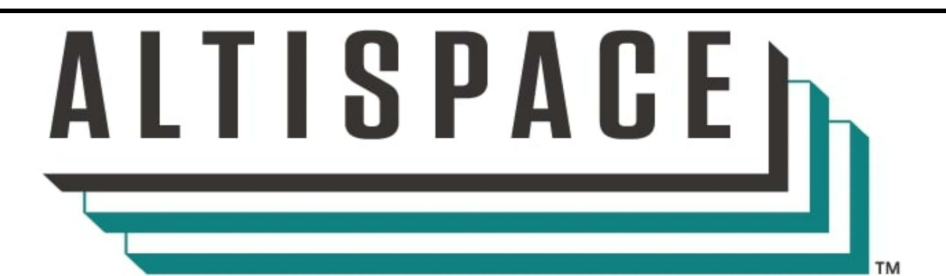
SECTION A-A



DETAIL B



NAME	DATE
DRAWN: SAI	03/11/20
ENG APPR: ERIC	03/11/20



UNLESS OTHERWISE SPECIFIED DIMENSIONS ARE IN 'INCHES'
 ANGLES $\pm 0.8^\circ$; 2 PL ± 0.040 ; 3 PL ± 0.020

TITLE: Acoustic Blade	
SUBTITLE: 72"x12"x2"	
PART NO: ABlade-040-XX	REV. 1.0
SIZE: 34"x22"	SCALE: 0.20 SHEET 1 OF 1
FILE NAME: Acoustic Blade (72.12.2).dft	