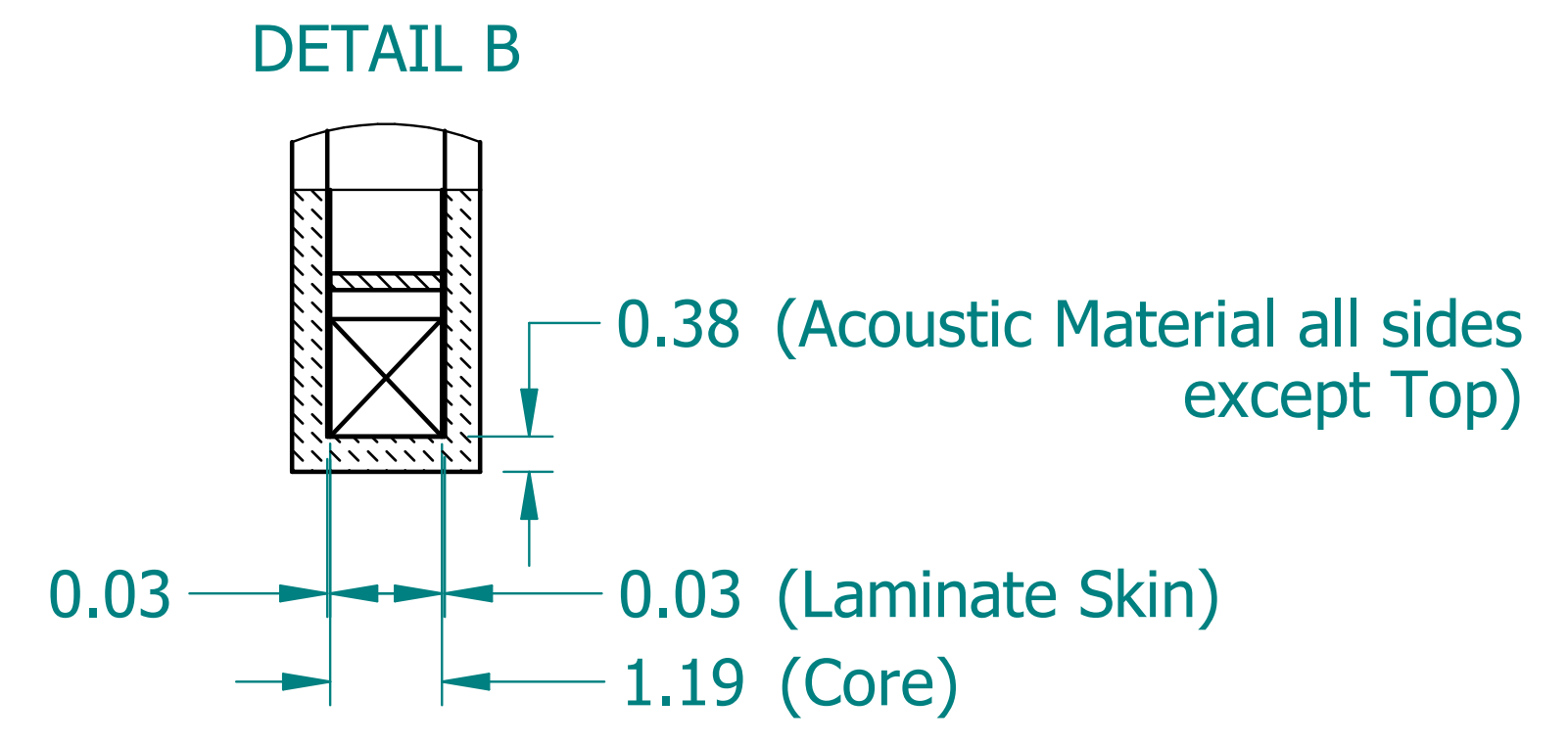
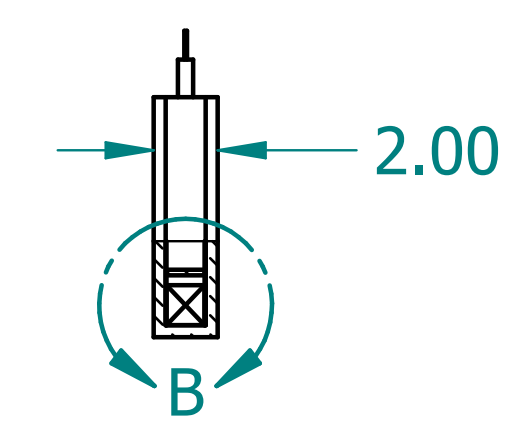
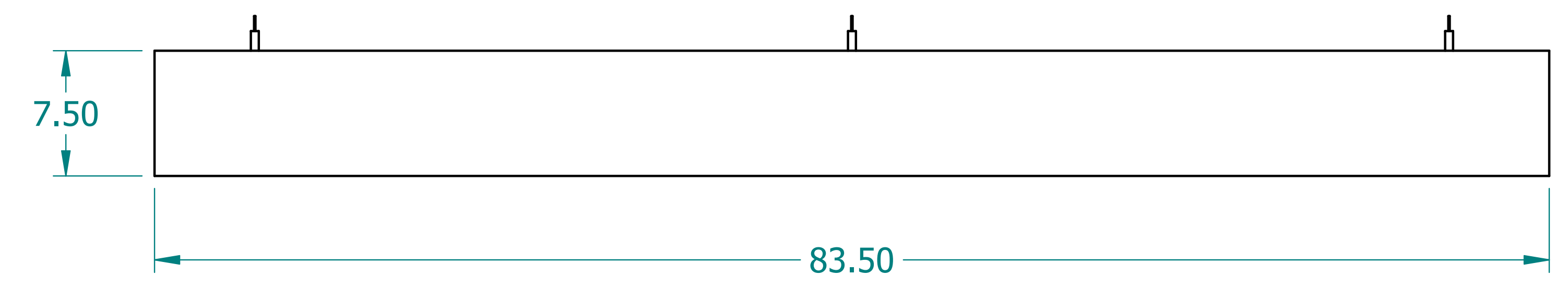
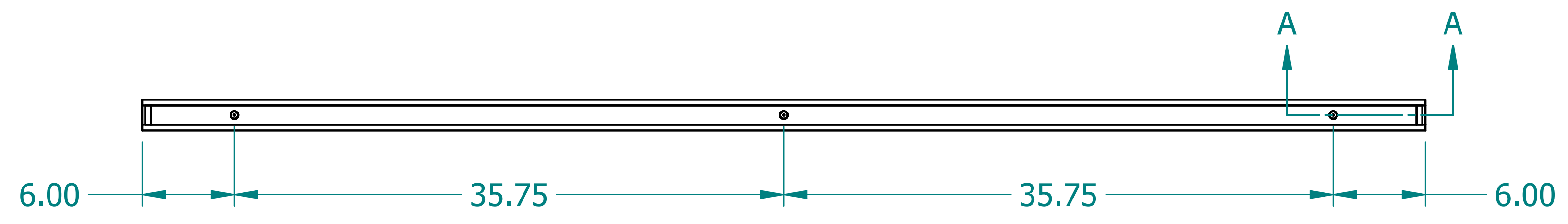
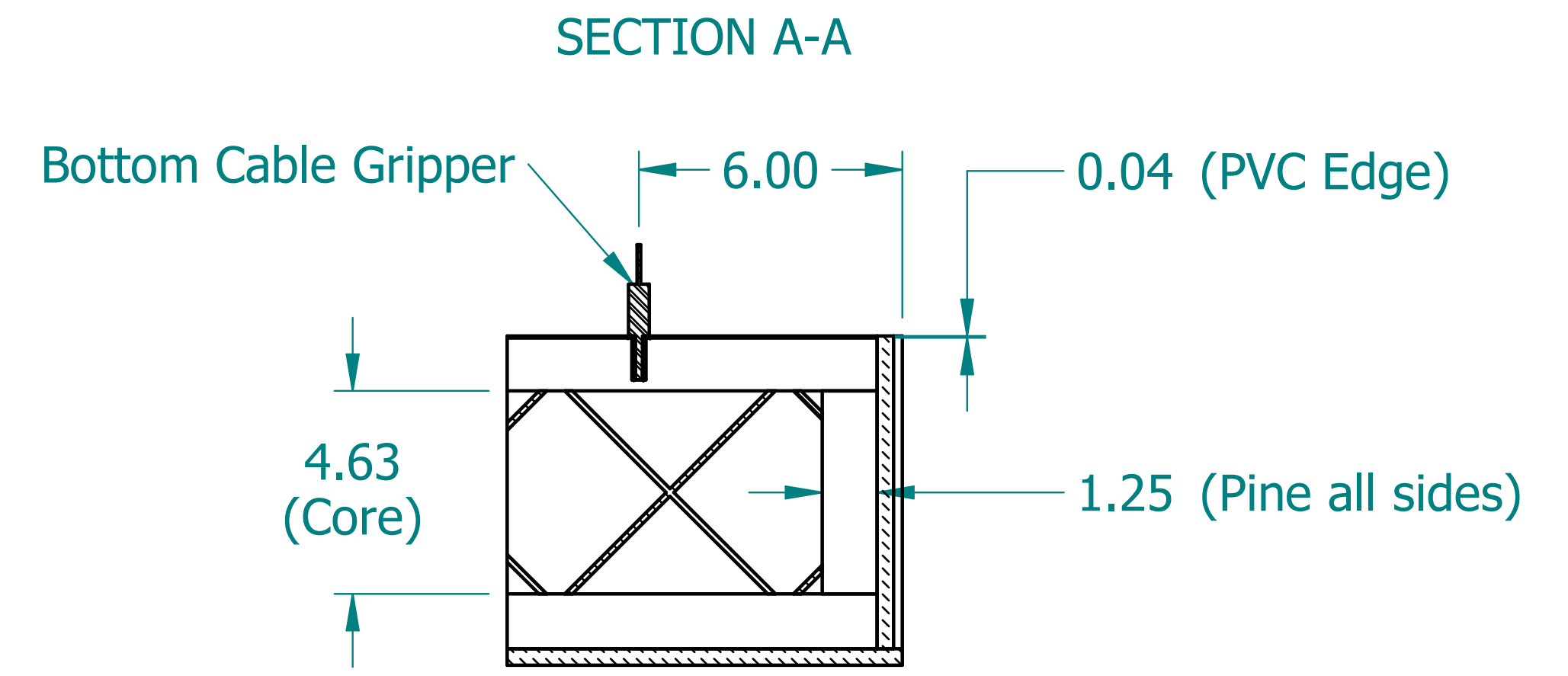
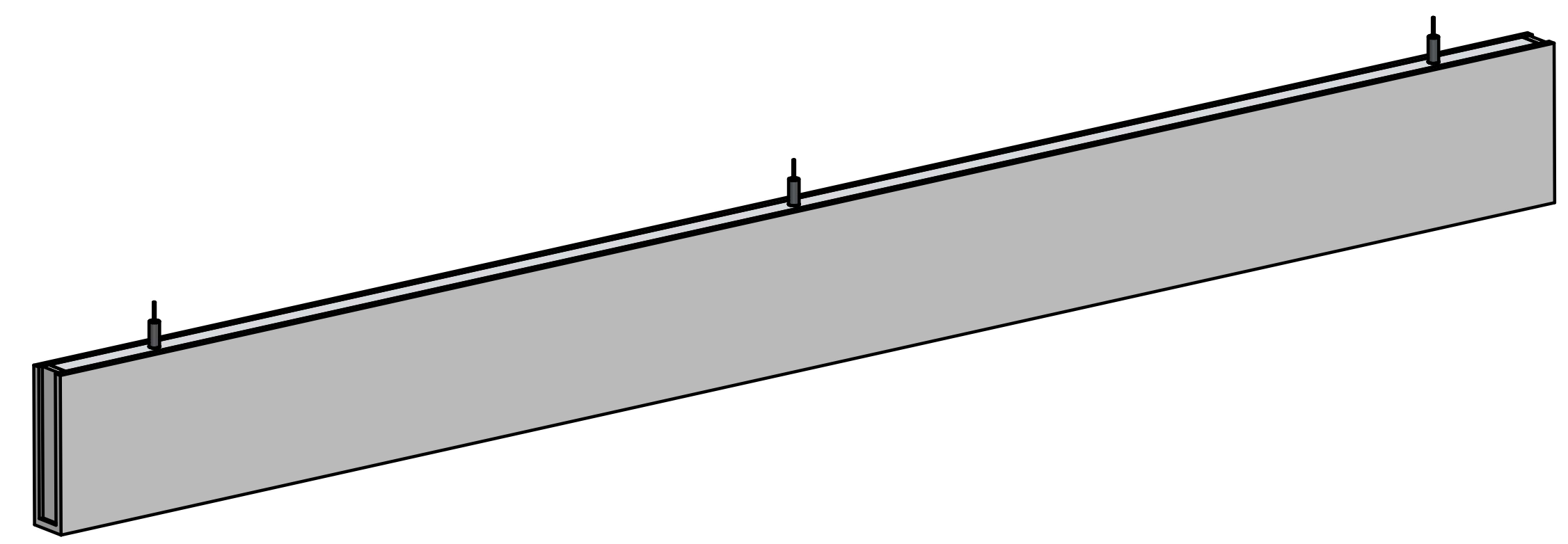


| REVISION HISTORY |             |      |          |
|------------------|-------------|------|----------|
| REV.             | DESCRIPTION | DATE | APPROVED |
|                  |             |      |          |



|  |          |  |
|--|----------|--|
| NAME   | DATE     |  |
| DRAWN: SAI   | 03/11/20 |  |
| ENG APPR: ERIC   | 03/11/20 |  |
| <p>UNLESS OTHERWISE SPECIFIED DIMENSIONS ARE IN 'INCHES'<br/>         ANGLES <math>\pm 0.8^\circ</math> ; 2 PL <math>\pm 0.040</math> ;<br/>         3 PL <math>\pm 0.020</math></p> |          | <p>TITLE: <b>Acoustic Blade</b></p> <p>SUBTITLE: 84"x8"x2"</p> <p>PART NO: ABlade-046-XX    REV. 1.0</p> <p>SIZE: 34"x22"    SCALE: 0.17    SHEET 1 OF 1</p> <p>FILE NAME: Acoustic Blade (84.8.2).dft</p> |