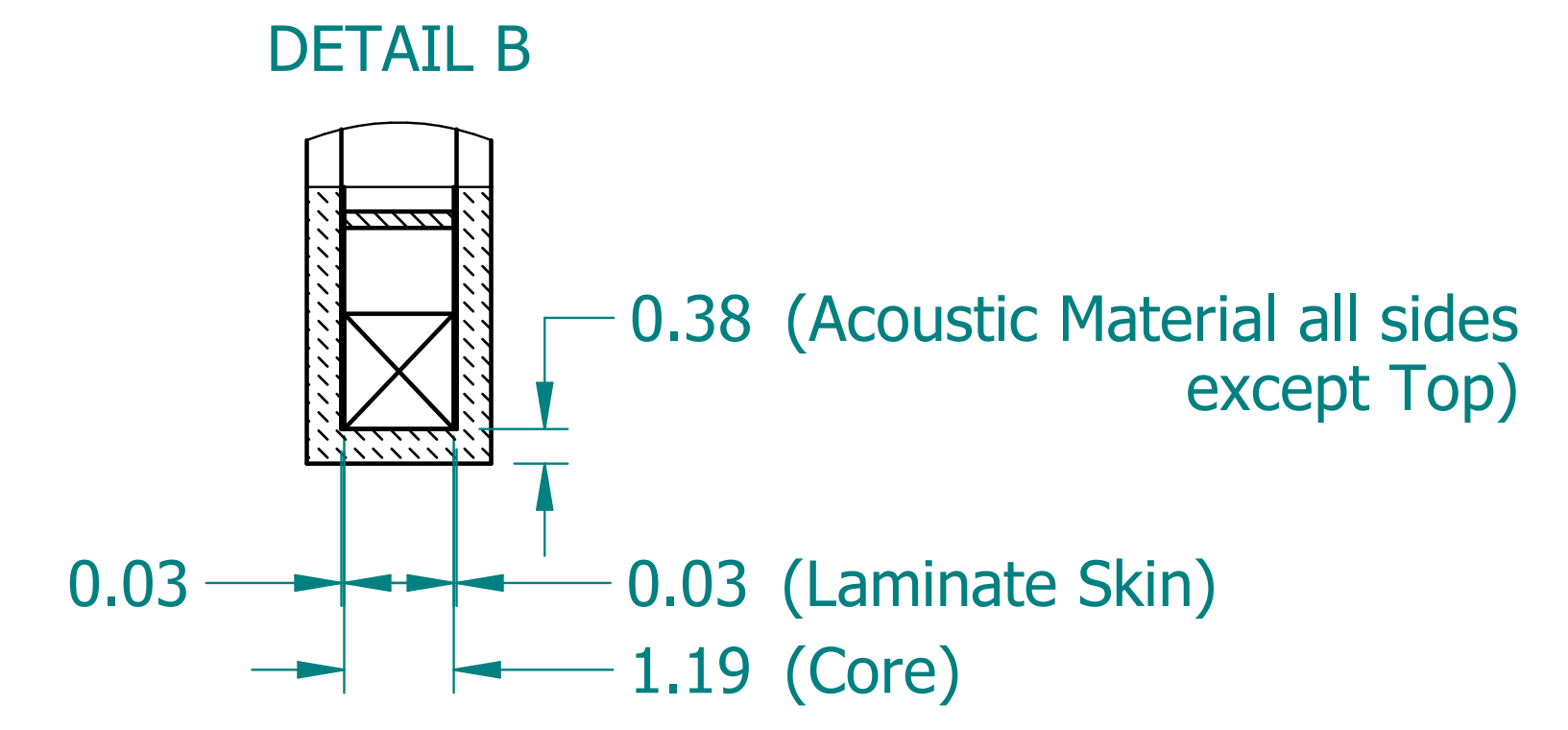
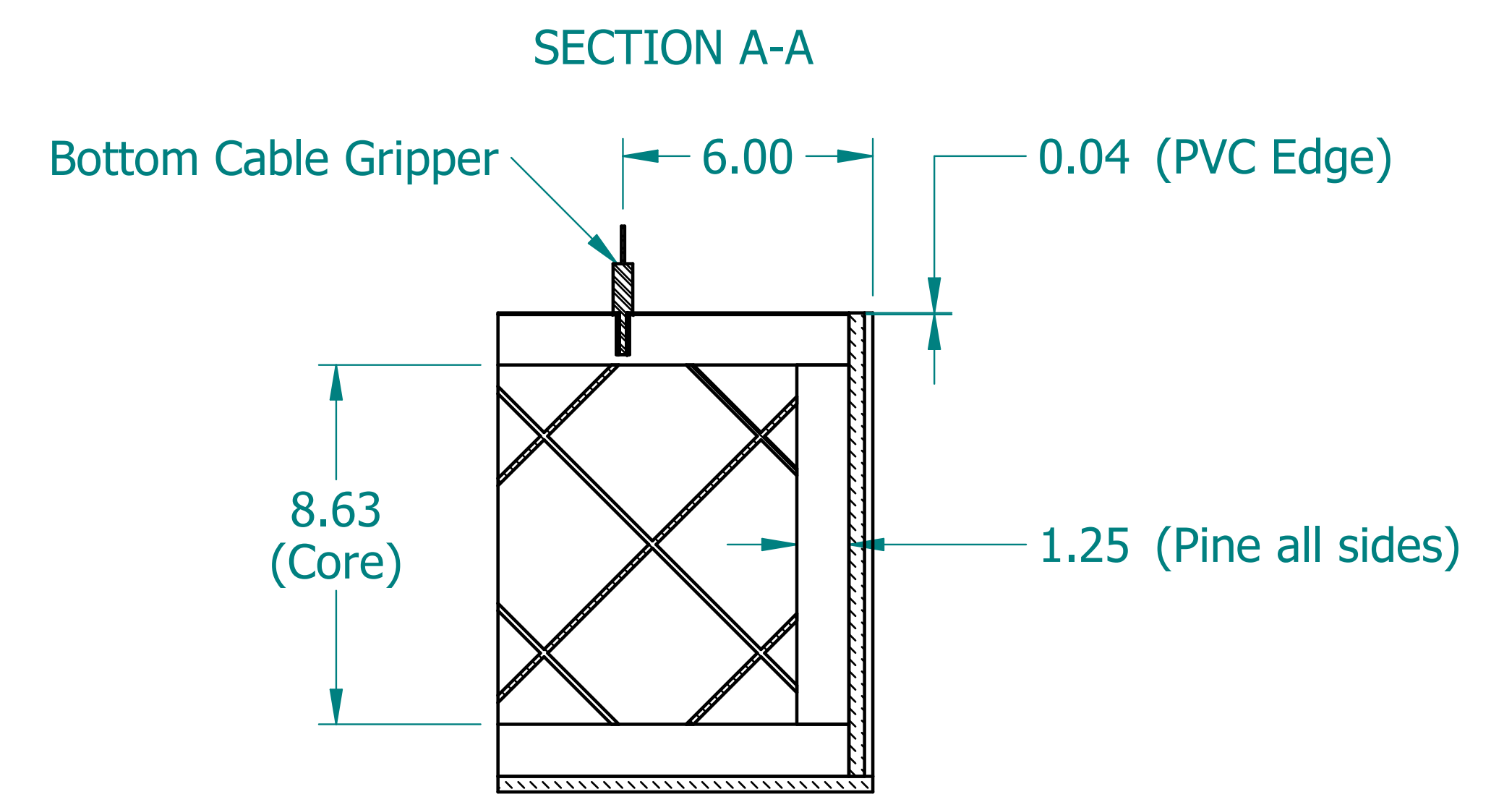
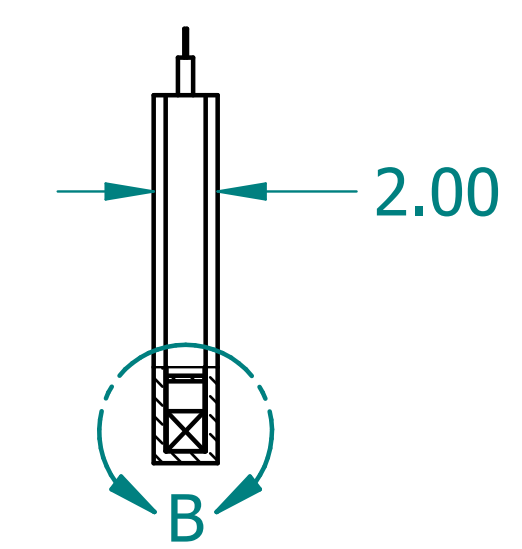
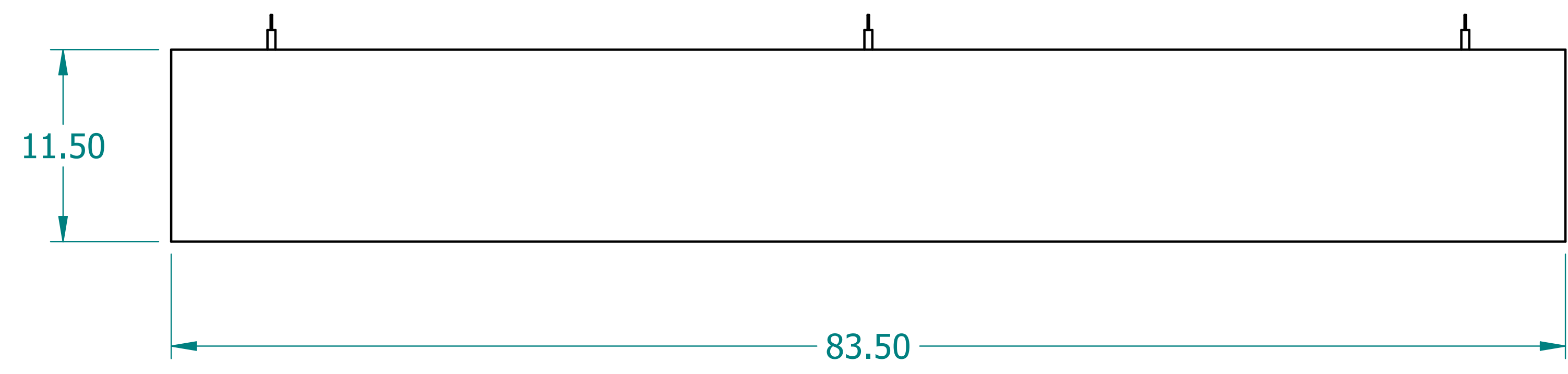
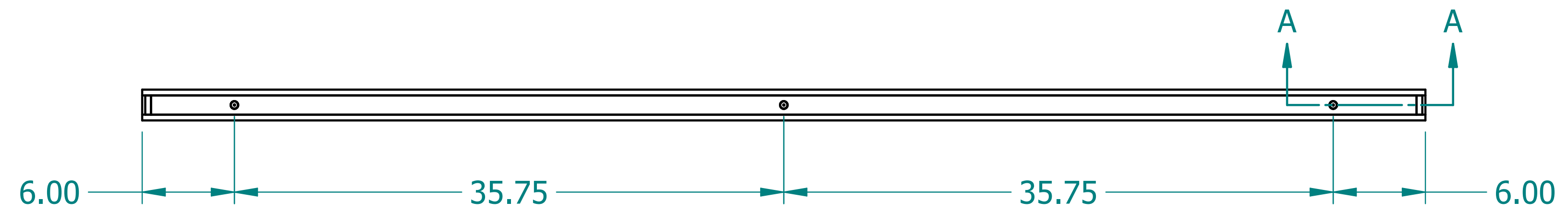
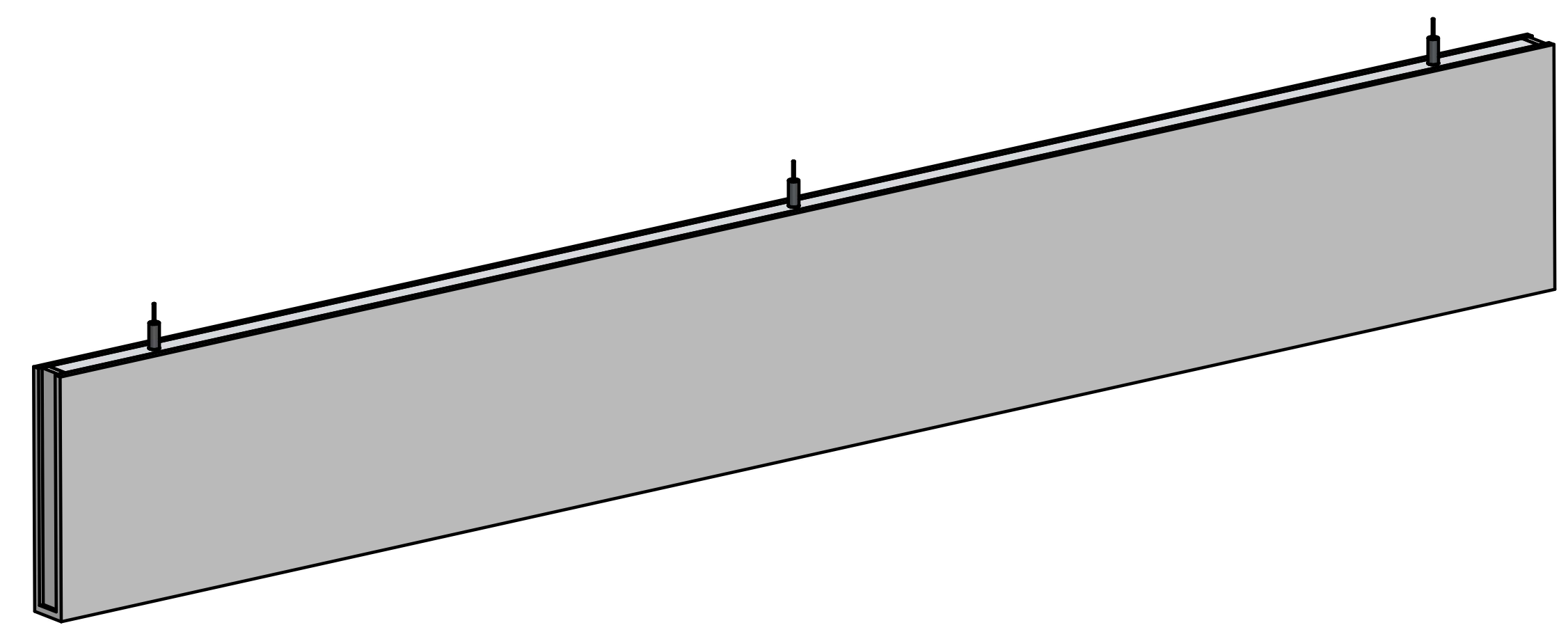

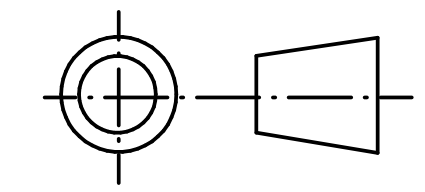


REVISION HISTORY			
REV.	DESCRIPTION	DATE	APPROVED



NAME	DATE							
DRAWN: SAI	03/11/20							
ENG APPR: ERIC	03/11/20							
 <p>UNLESS OTHERWISE SPECIFIED DIMENSIONS ARE IN 'INCHES' ANGLES $\pm 0.8^\circ$; 2 PL ± 0.040 ; 3 PL ± 0.020</p>		<p>TITLE: Acoustic Blade</p> <p>SUBTITLE: 84"x12"x2"</p> <table border="1"> <tr> <td>PART NO: ABlade-048-XX</td> <td>REV. 1.0</td> </tr> <tr> <td>SIZE: 34"x22"</td> <td>SCALE: 0.17</td> </tr> <tr> <td colspan="2">SHEET 1 OF 1</td> </tr> </table> <p>FILE NAME: Acoustic Blade (84.12.2).dft</p>	PART NO: ABlade-048-XX	REV. 1.0	SIZE: 34"x22"	SCALE: 0.17	SHEET 1 OF 1	
PART NO: ABlade-048-XX	REV. 1.0							
SIZE: 34"x22"	SCALE: 0.17							
SHEET 1 OF 1								