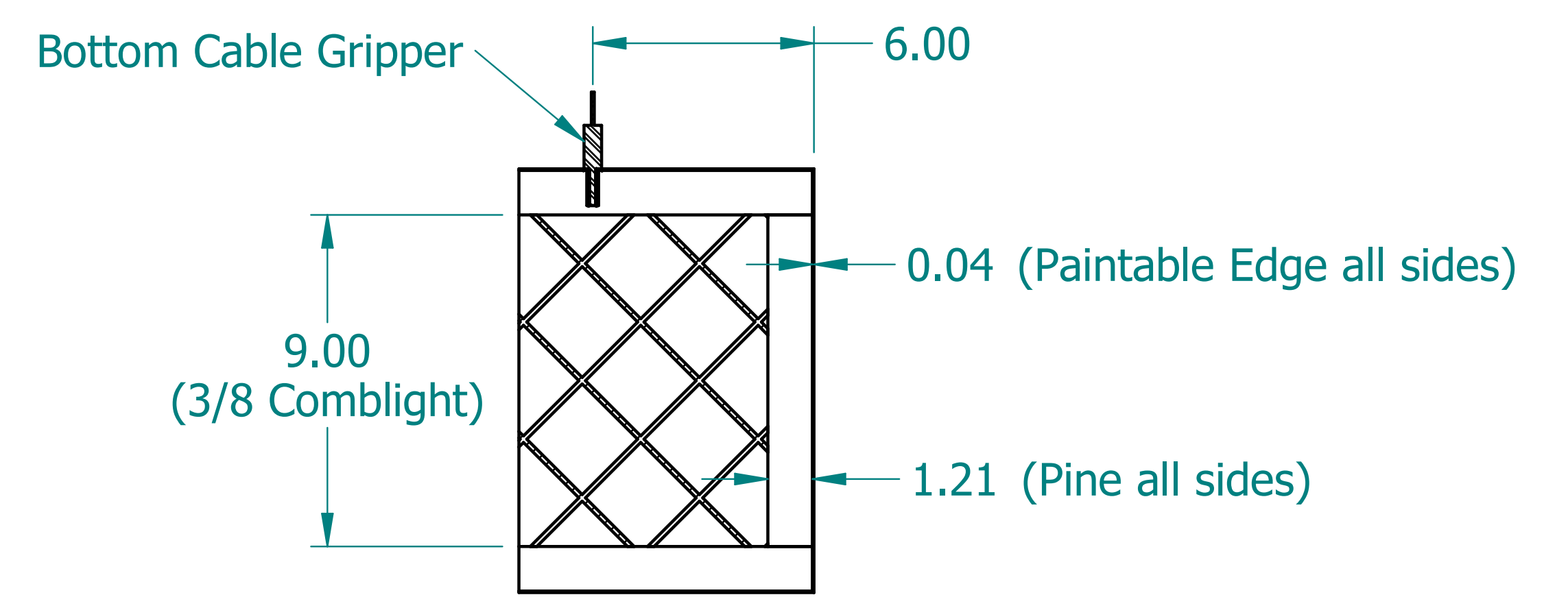
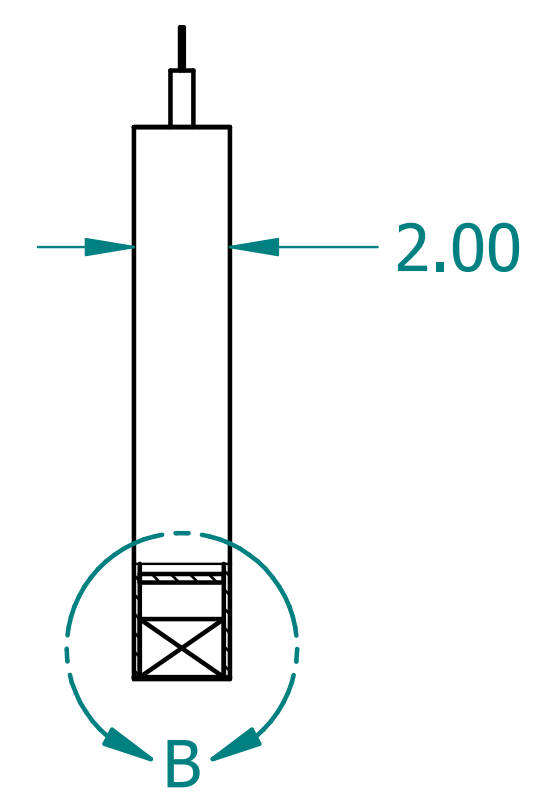
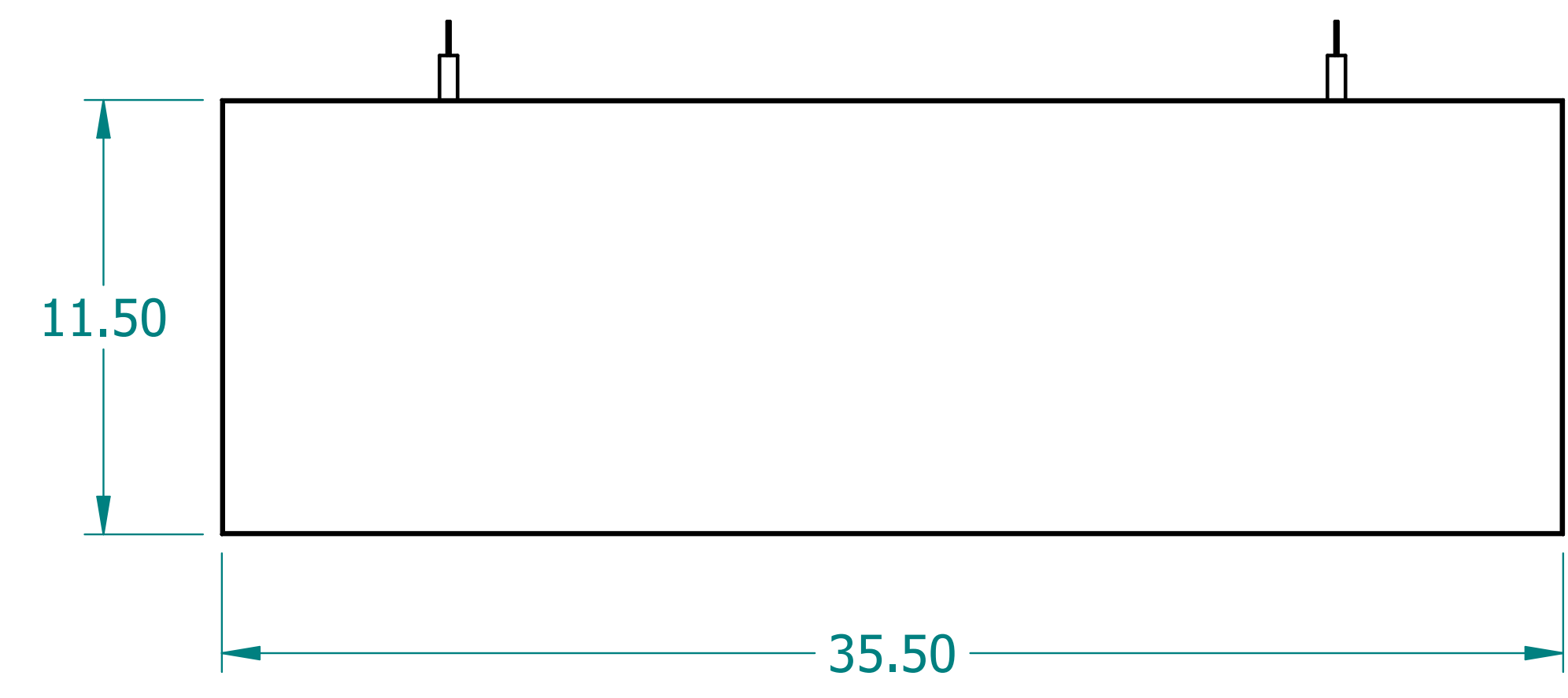
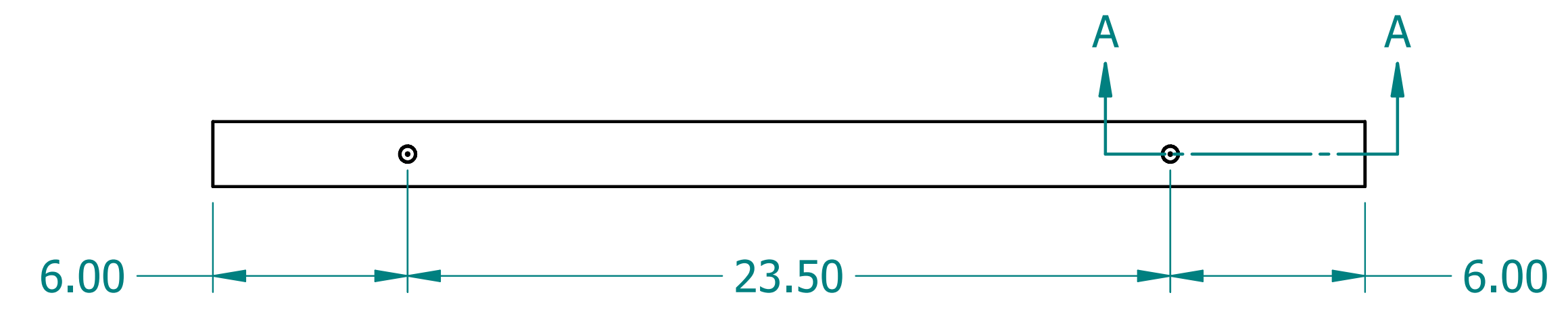
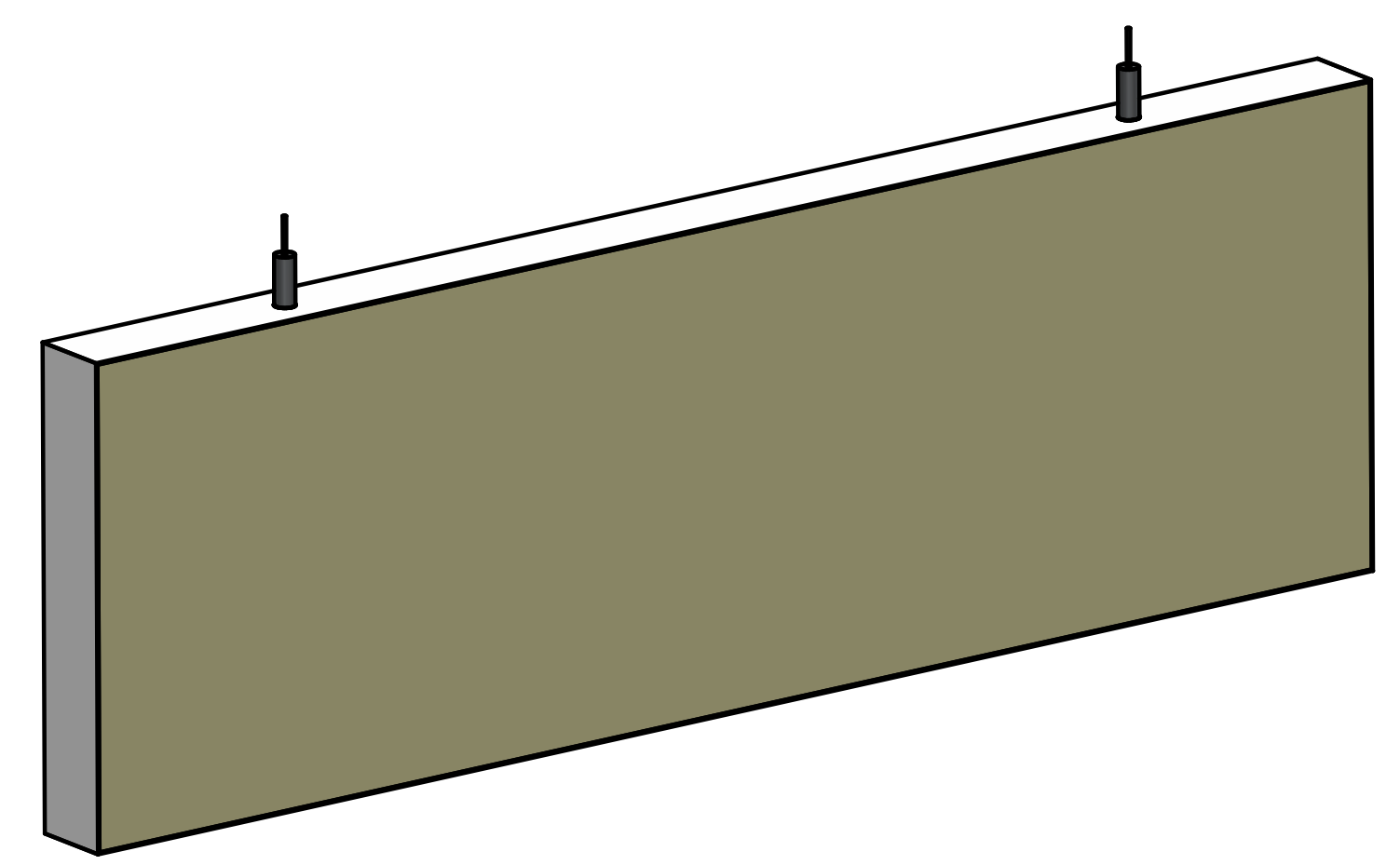
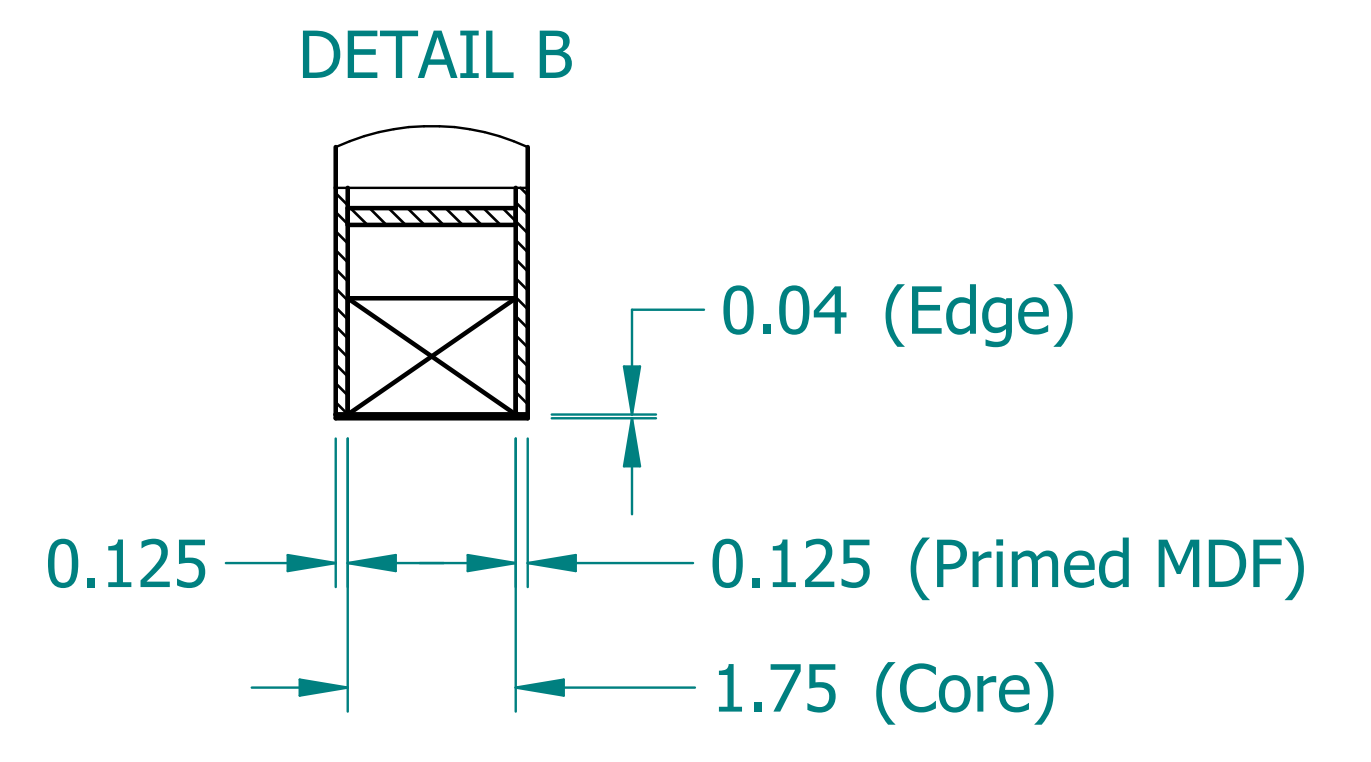


| REVISION HISTORY | | | |
|------------------|-------------|------|----------|
| REV. | DESCRIPTION | DATE | APPROVED |
| | | | |



SECTION A-A



DETAIL B

| | | |
|--|----------|---|
| NAME | DATE | |
| DRAWN: SAI | 03/11/20 | |
| ENG APPR: ERIC | 03/11/20 | |
| <p>UNLESS OTHERWISE SPECIFIED DIMENSIONS ARE IN 'INCHES' ANGLES $\pm 0.8^\circ$; 2 PL ± 0.040 ; 3 PL ± 0.020</p> | | TITLE: Paintable Beam SUBTITLE: 36"x12"x2" PART NO: Beam-020-PG REV: 1.0 SIZE: 34"x22" SCALE: 0.25 SHEET 1 OF 1 FILE NAME: Paintable Beam (36.12.2).dft |