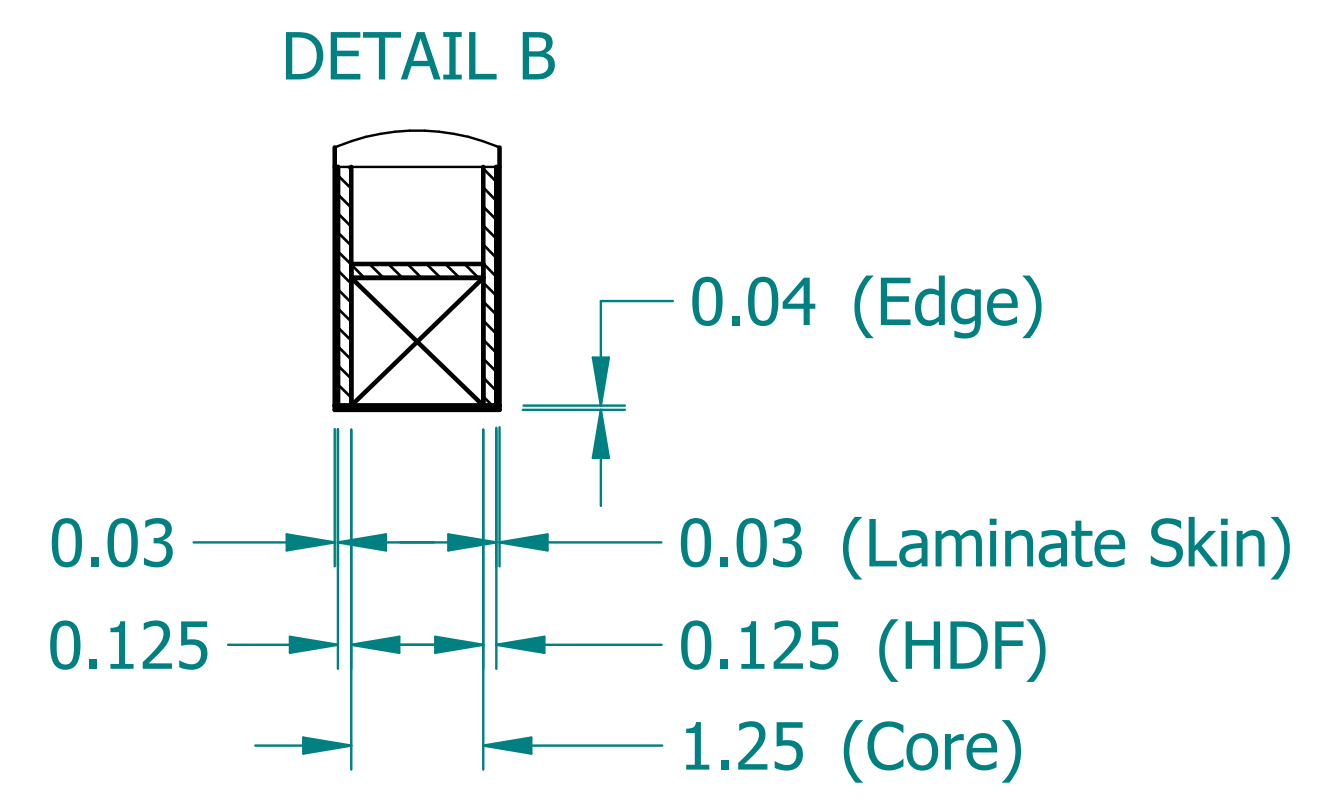
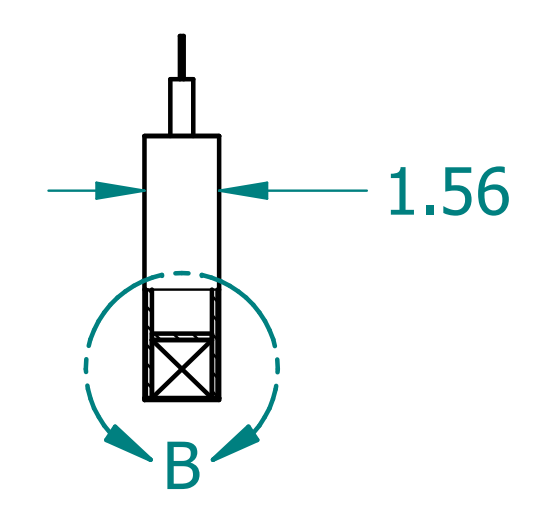
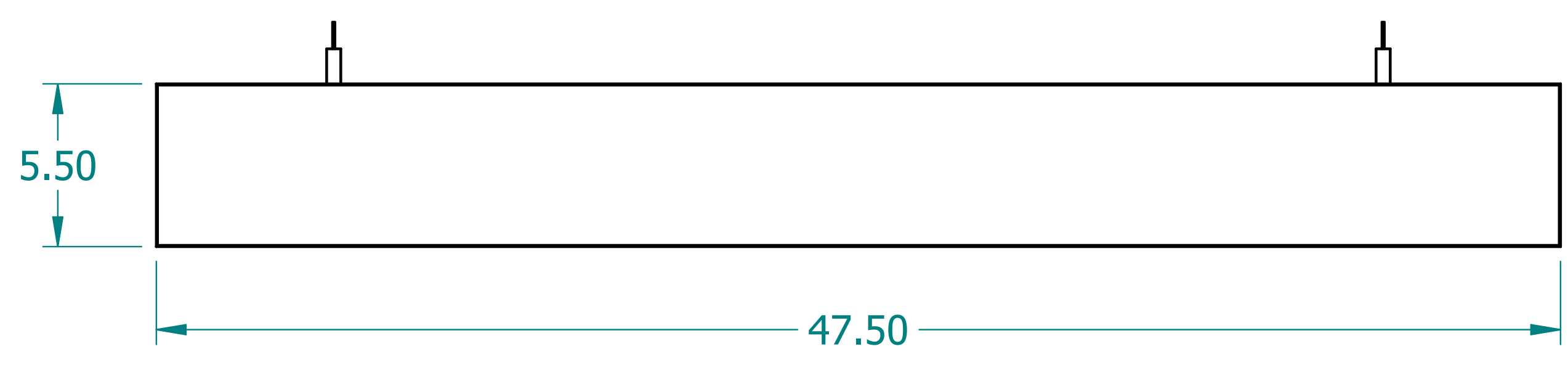
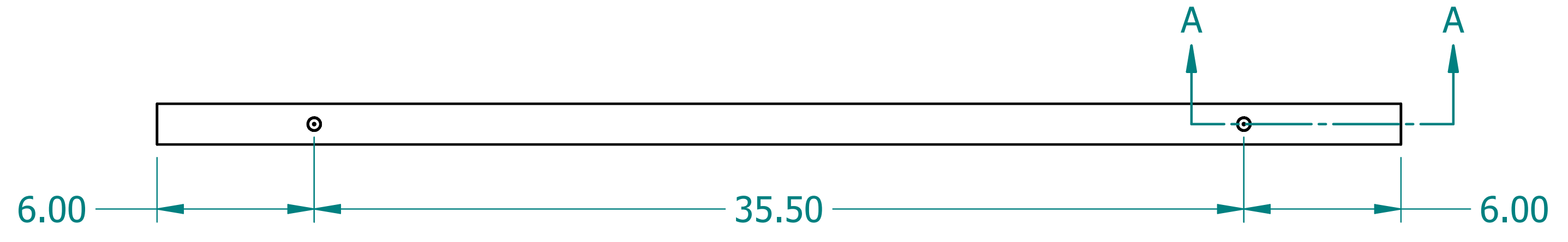
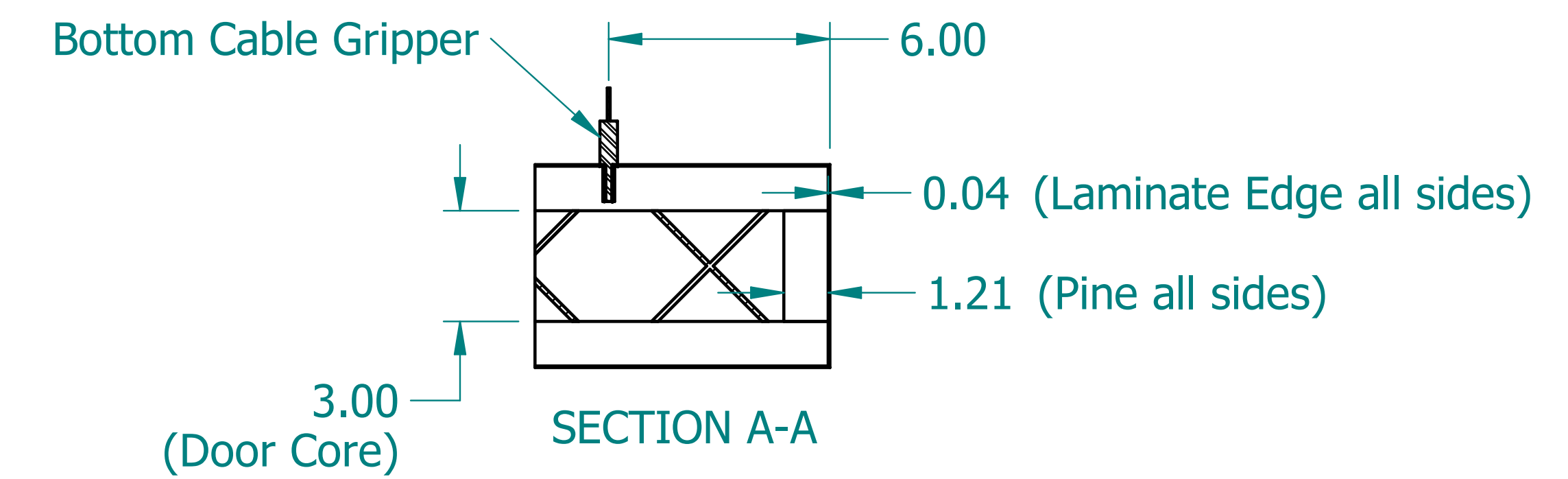
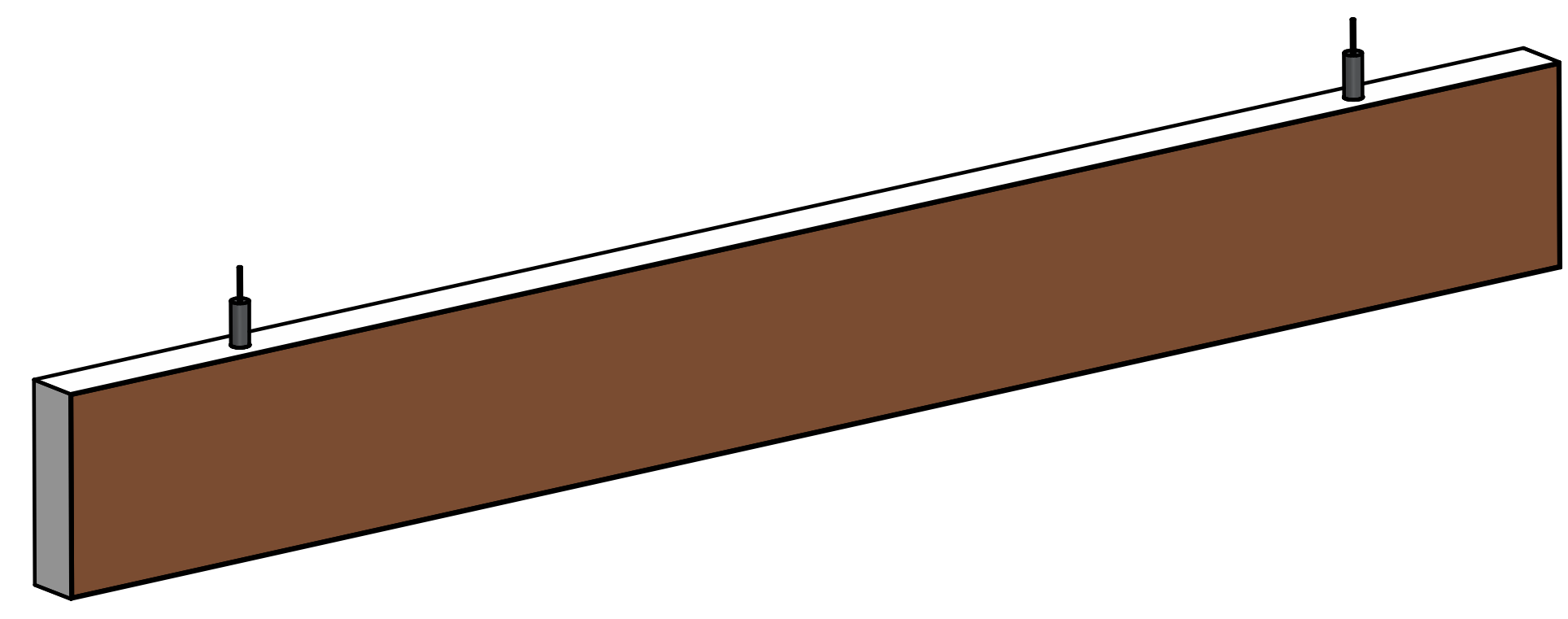


REVISION HISTORY			
REV.	DESCRIPTION	DATE	APPROVED



NAME	DATE	
DRAWN: SAI	03/11/20	
ENG APPR: ERIC	03/11/20	
<p>UNLESS OTHERWISE SPECIFIED DIMENSIONS ARE IN 'INCHES'</p> <p>ANGLES <math>\pm 0.8^\circ</math> ; 2 PL <math>\pm 0.040</math> ; 3 PL <math>\pm 0.020</math></p>		<p>TITLE: <b>Laminate Beam</b></p> <p>SUBTITLE: <b>48"x6"x1.5"</b></p> <p>PART NO: <b>Beam-025-XX</b>      REV. <b>1.0</b></p> <p>SIZE: 34"x22"      SCALE: 0.25      SHEET 1 OF 1</p> <p>FILE NAME: Laminated Beam (48.6.1.5).dft</p>