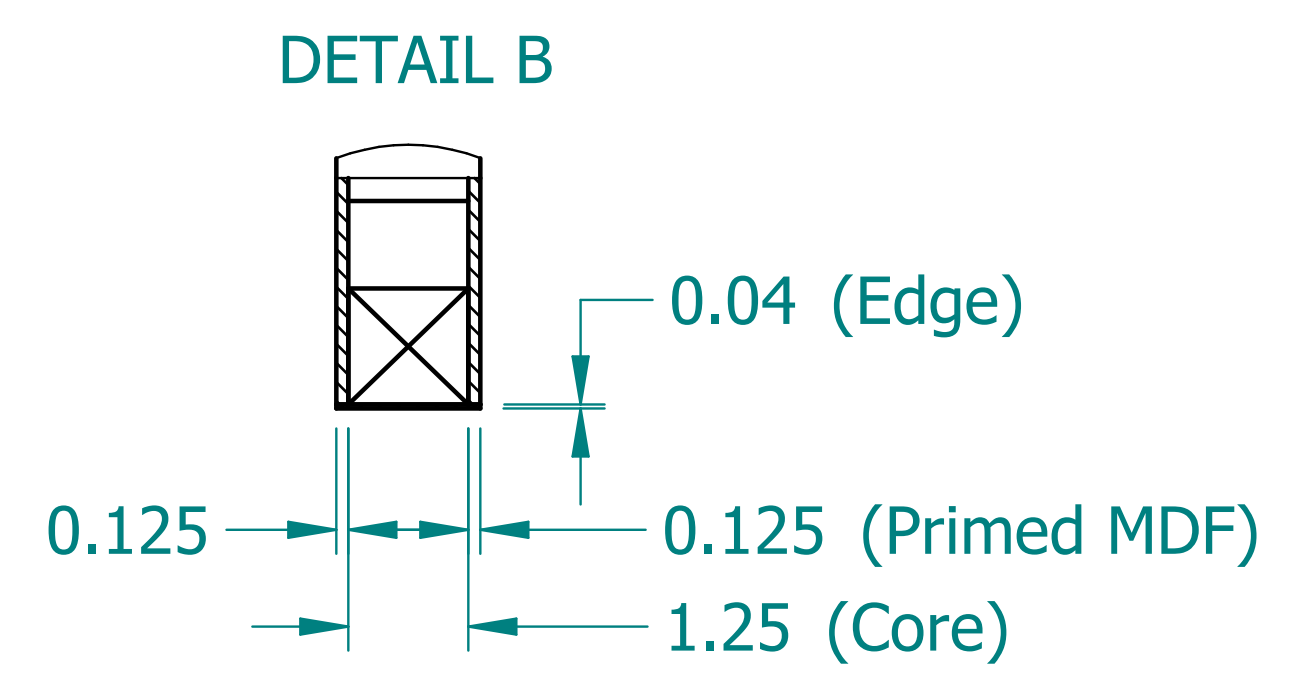
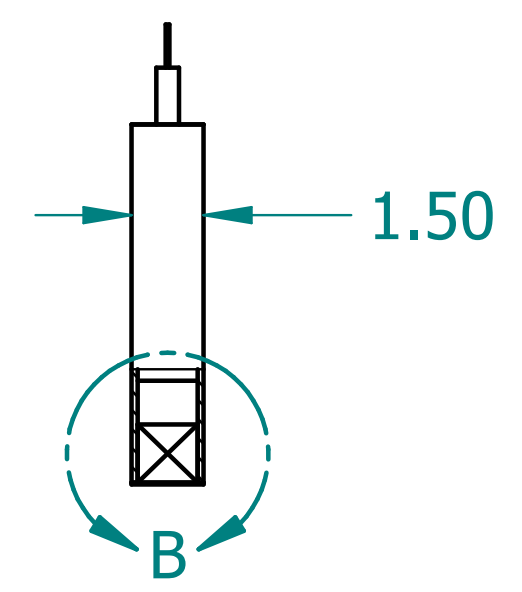
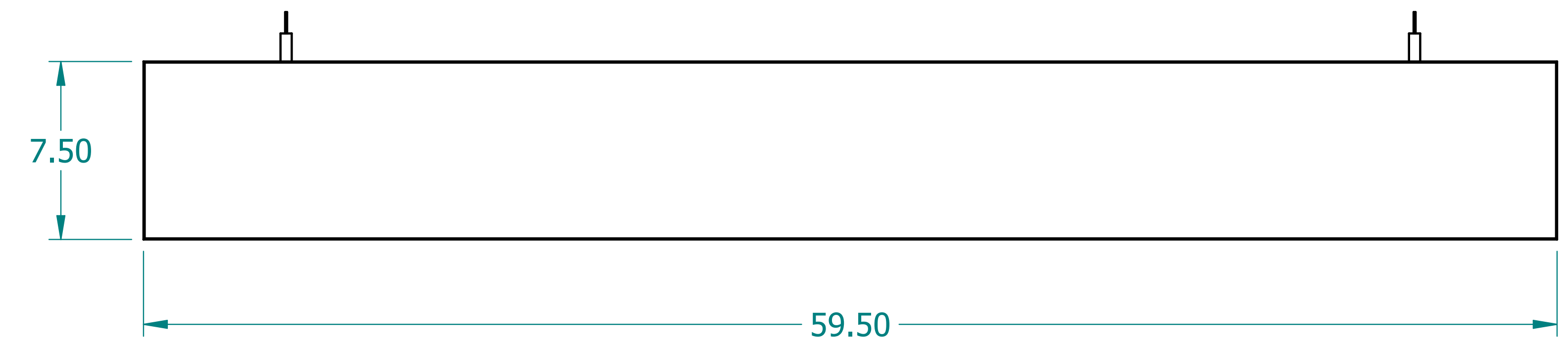
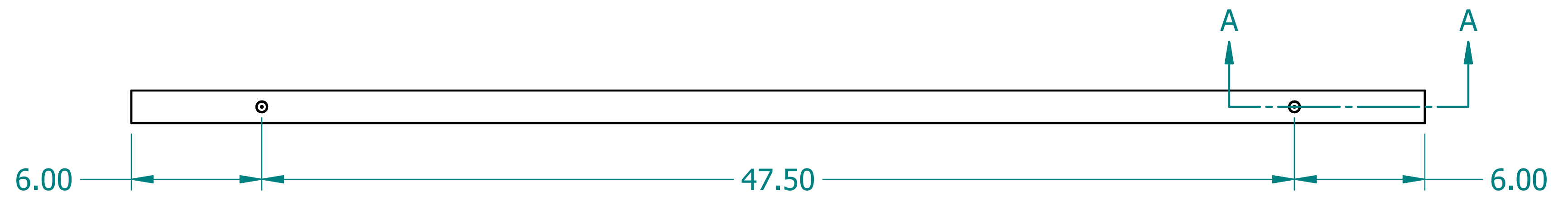
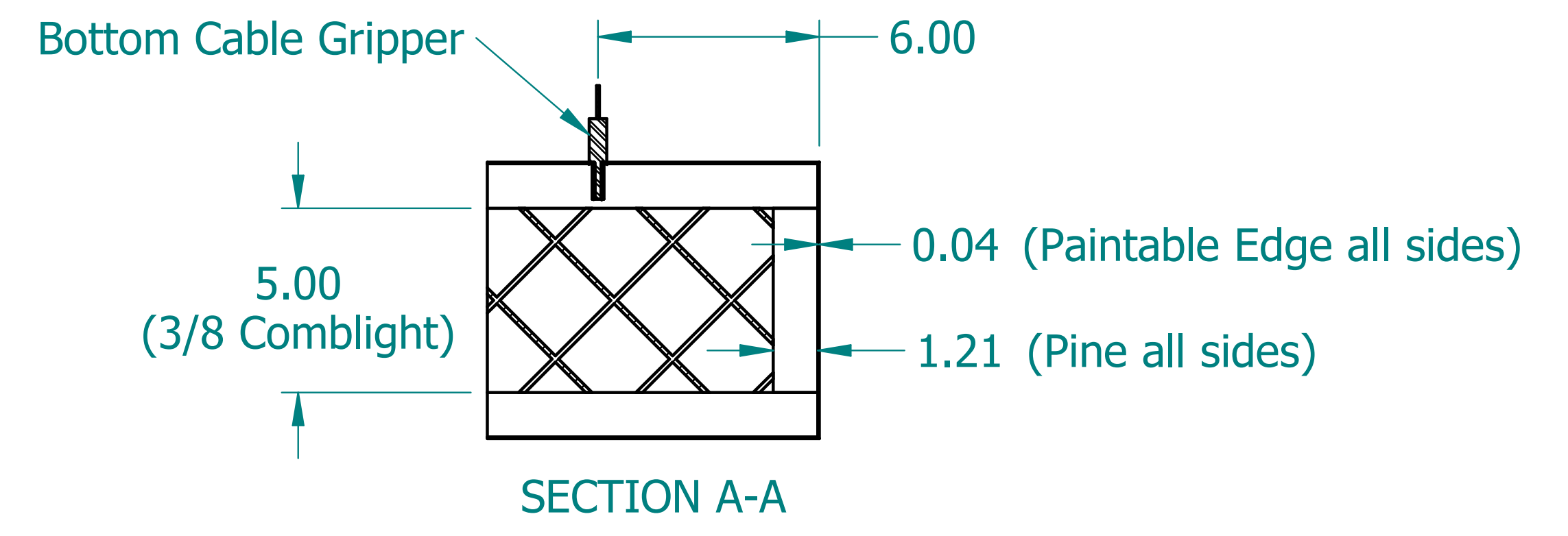
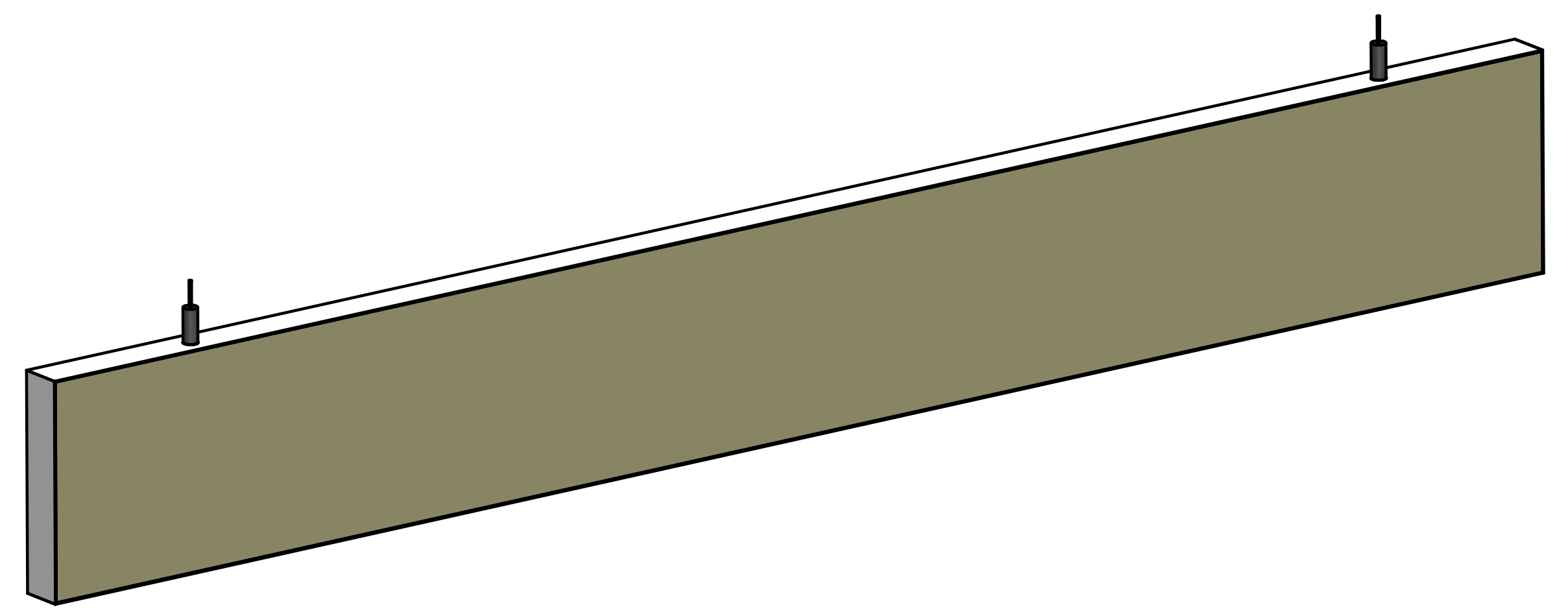


| REVISION HISTORY | | | |
|------------------|-------------|------|----------|
| REV. | DESCRIPTION | DATE | APPROVED |
| | | | |



| | | |
|---|----------|--|
| NAME | DATE | |
| DRAWN: SAI | 03/11/20 | |
| ENG APPR: ERIC | 03/11/20 | |
| | | TITLE: Paintable Beam |
| UNLESS OTHERWISE SPECIFIED DIMENSIONS ARE IN 'INCHES' | | SUBTITLE: 60"x8"x1.5" |
| ANGLES ±0.8° ; 2 PL ±0.040 ; 3 PL ±0.020 | | PART NO: Beam-038-PG REV: 1.0 |
| | | SIZE: 34"x22" SCALE: 0.25 SHEET 1 OF 1 |
| | | FILE NAME: Paintable Beam (60.8.1.5).dft |