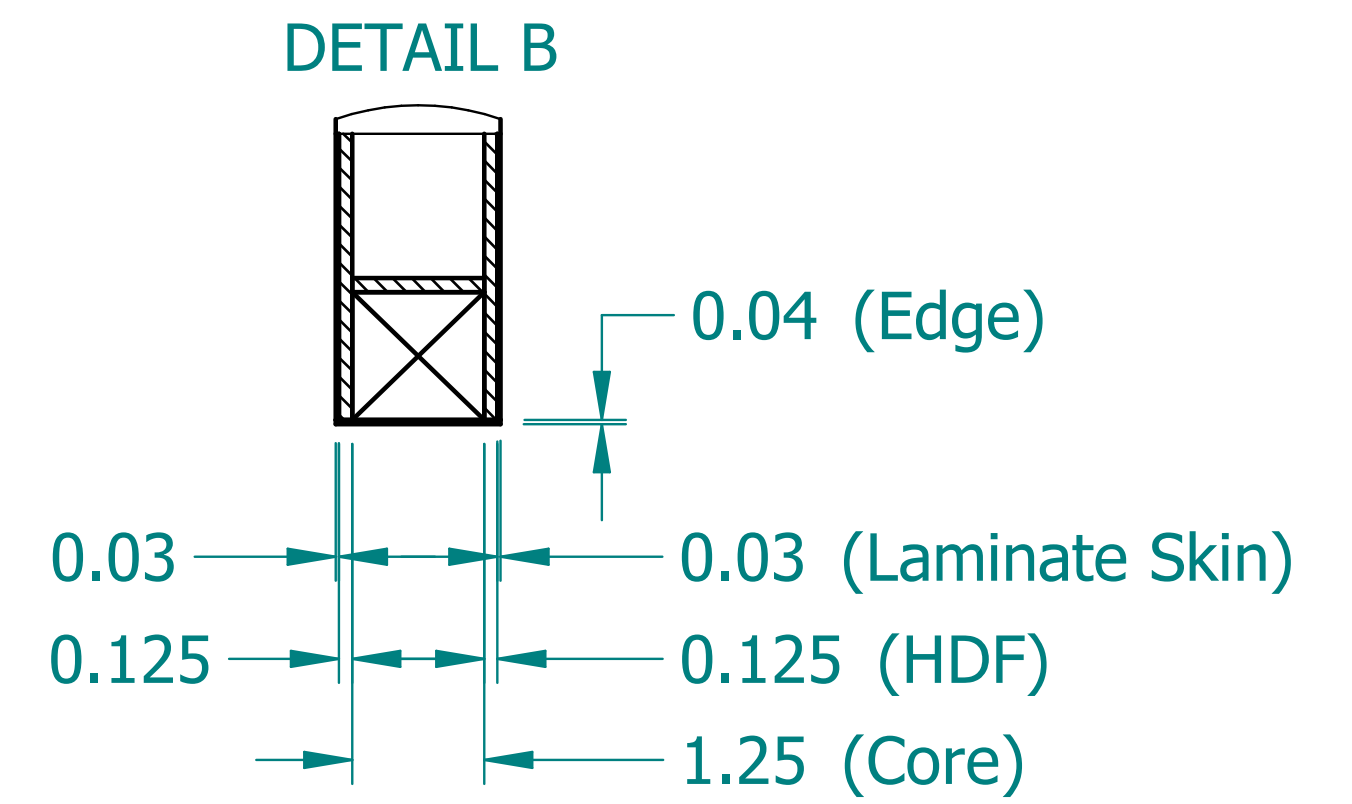
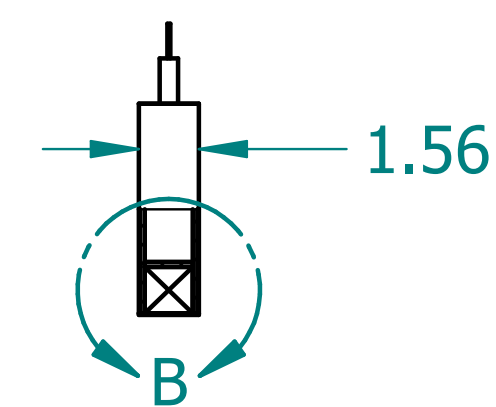
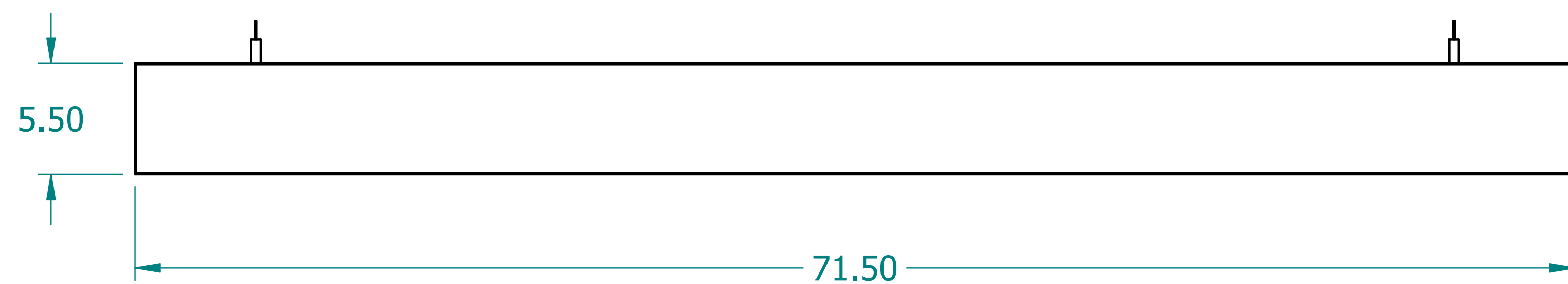
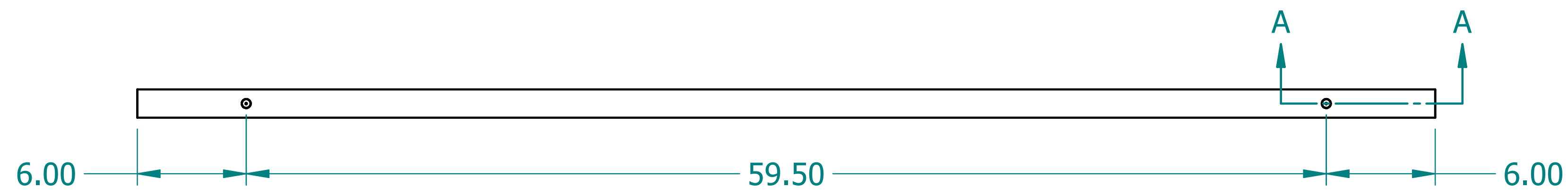
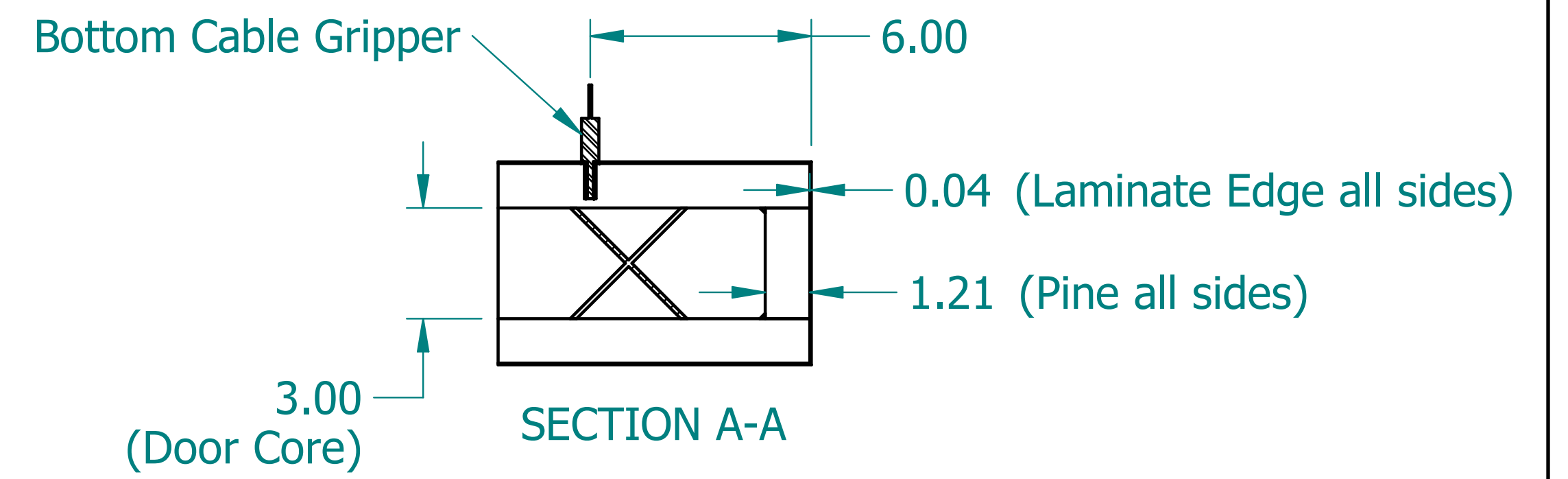
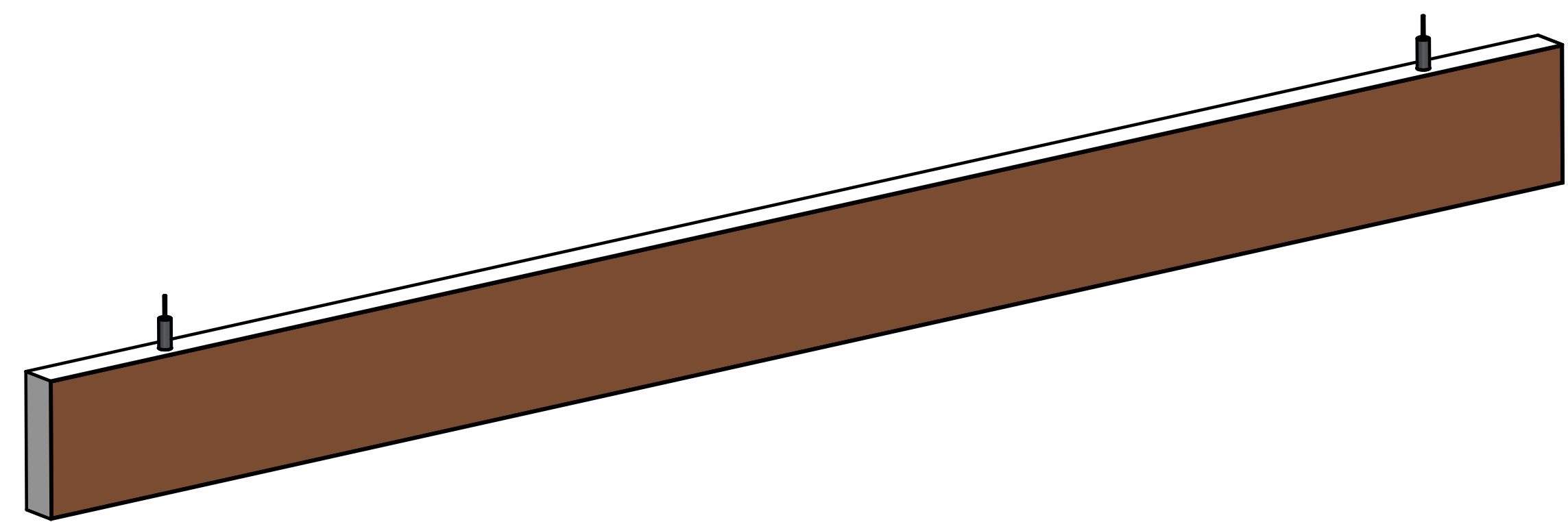

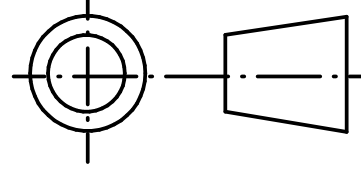



REVISION HISTORY			
REV.	DESCRIPTION	DATE	APPROVED



NAME	DATE	
DRAWN: SAI	03/11/20	
ENG APPR: ERIC	03/11/20	
		TITLE: Laminate Beam
		SUBTITLE: 72"x6"x1.5"
UNLESS OTHERWISE SPECIFIED DIMENSIONS ARE IN 'INCHES' ANGLES ±0.8° ; 2 PL ±0.040 ; 3 PL ±0.020		PART NO: Beam-049-XX REV. 1.0
		SIZE: 34"x22" SCALE: 0.20 SHEET 1 OF 1
FILE NAME: Laminated Beam (72.6.1.5).dft		