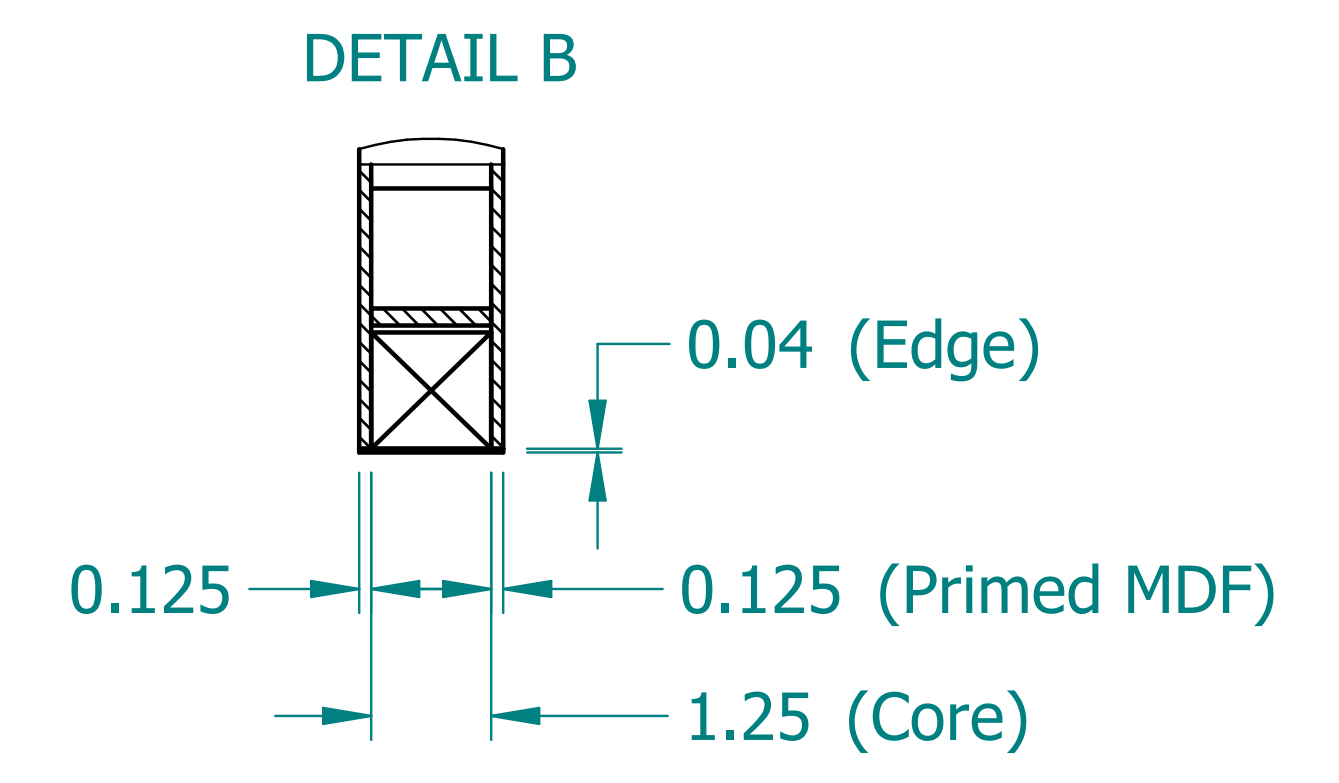
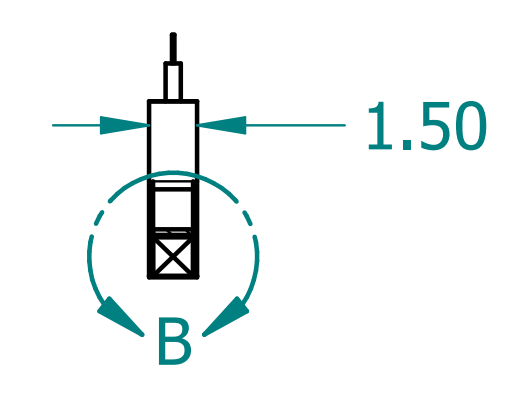
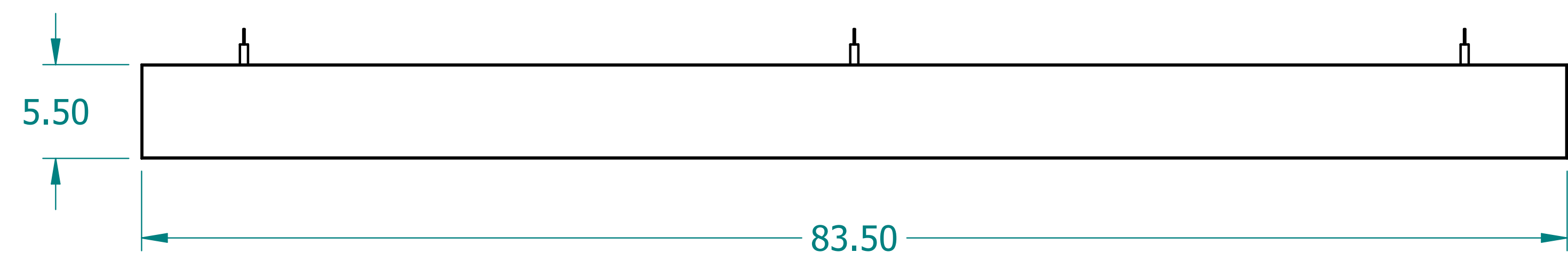
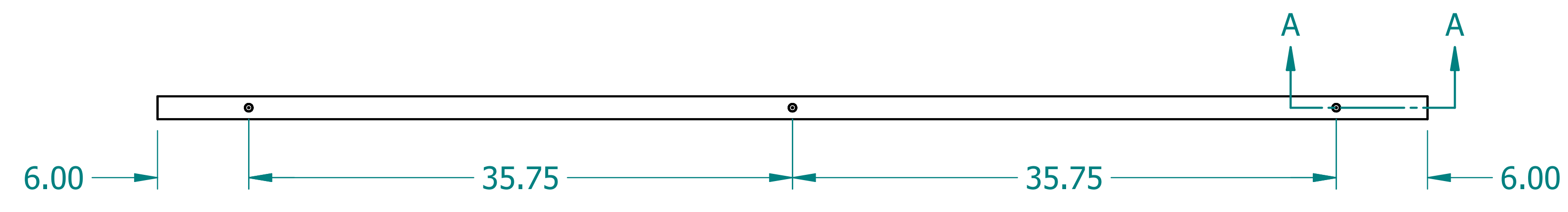
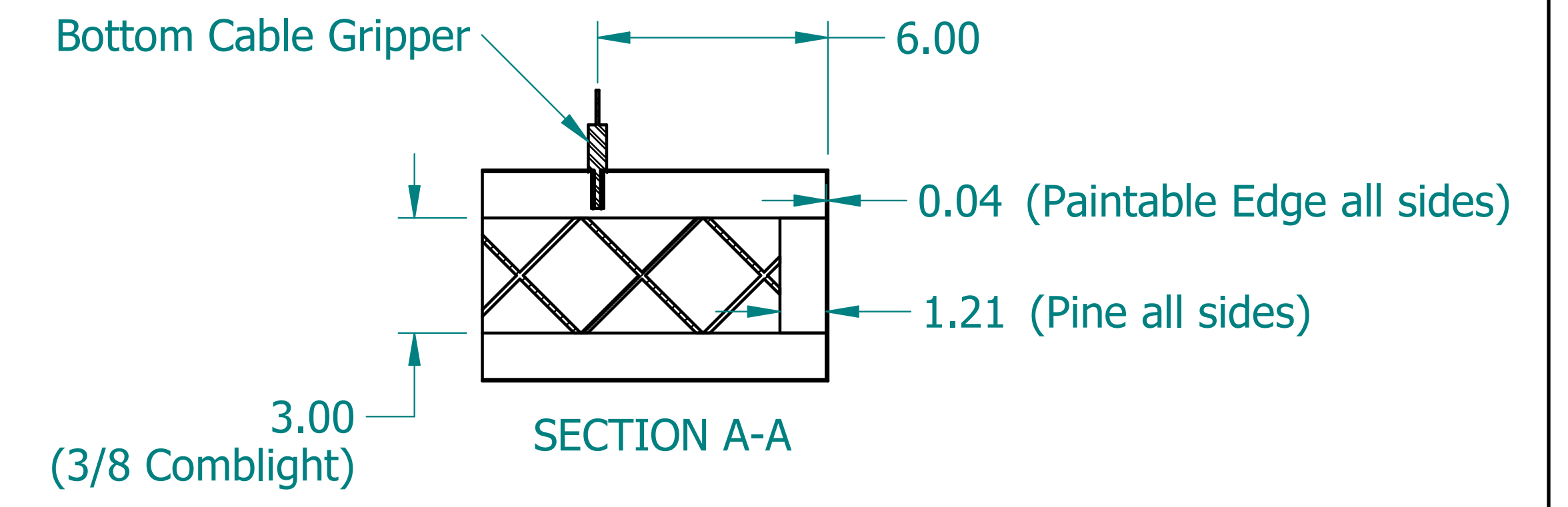
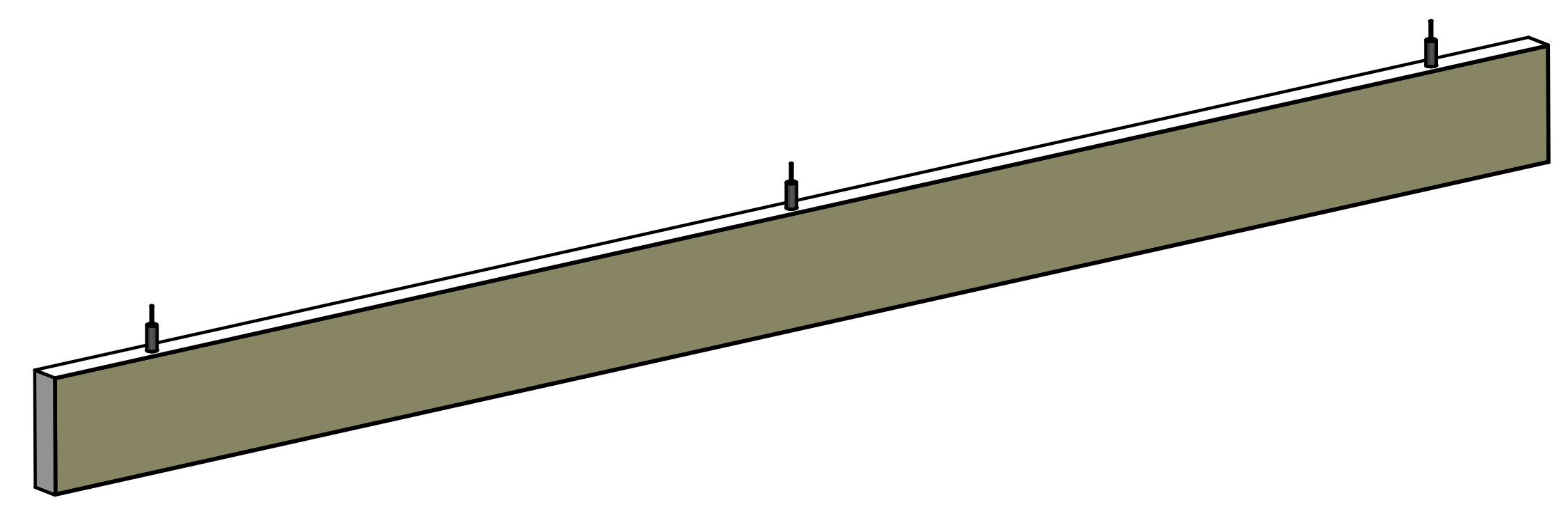

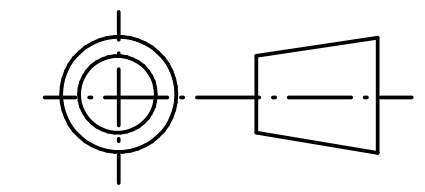


REVISION HISTORY			
REV.	DESCRIPTION	DATE	APPROVED



	NAME	DATE			
DRAWN	SAI	03/11/20			
ENG APPR	ERIC	03/11/20			
 UNLESS OTHERWISE SPECIFIED DIMENSIONS ARE IN 'INCHES' ANGLES $\pm 0.8^\circ$; 2 PL ± 0.040 ; 3 PL ± 0.020			TITLE Paintable Beam		
			SUBTITLE 84"x6"x1.5"		
			PART NO: Beam-061-PG	REV. 1.0	
			SIZE: 34"x22"	SCALE: 0.17	SHEET 1 OF 1
			FILE NAME: Paintable Beam (84.6.1.5).dft		