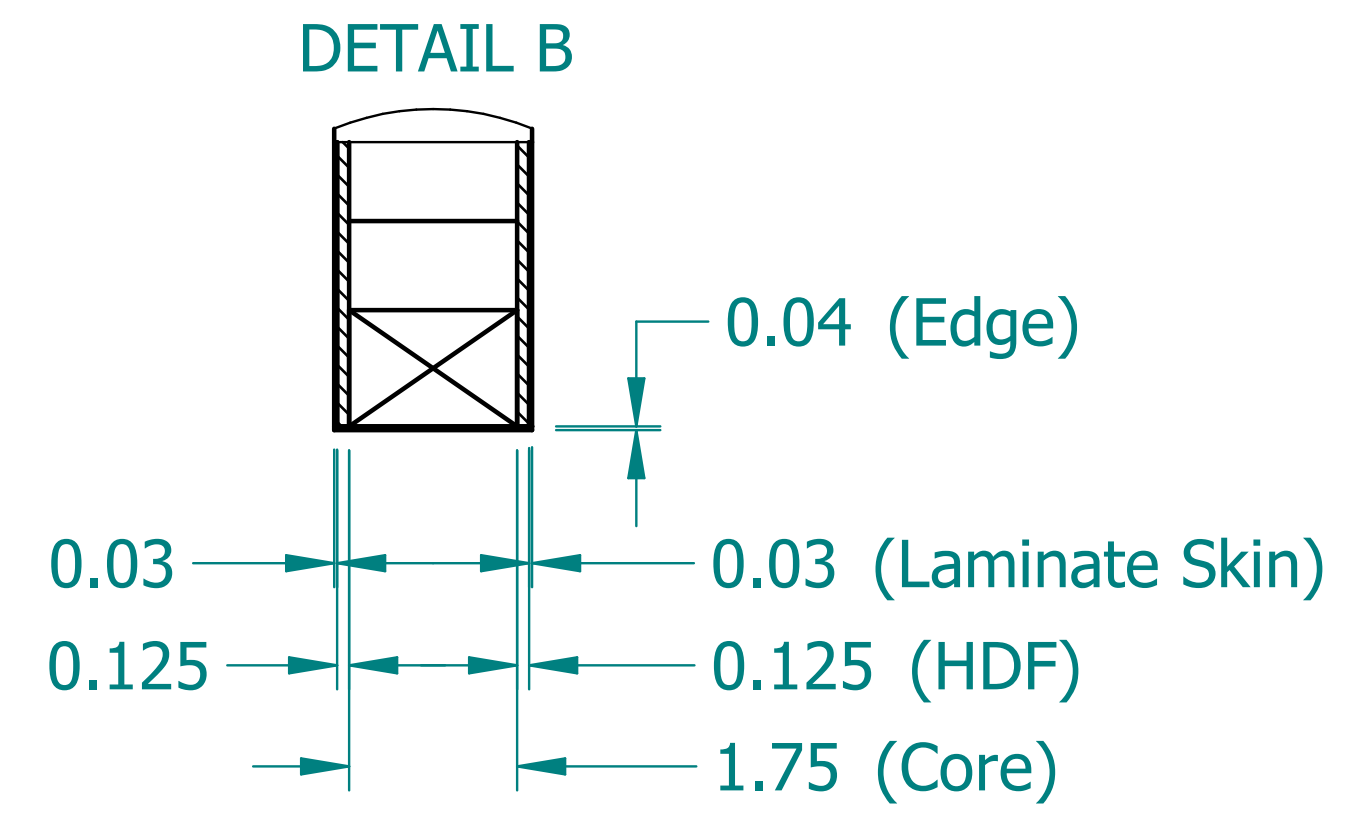
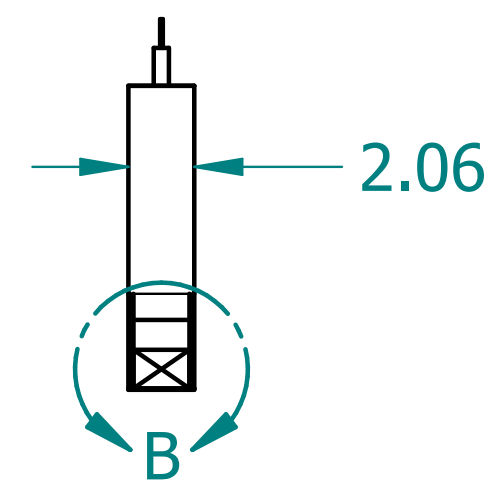
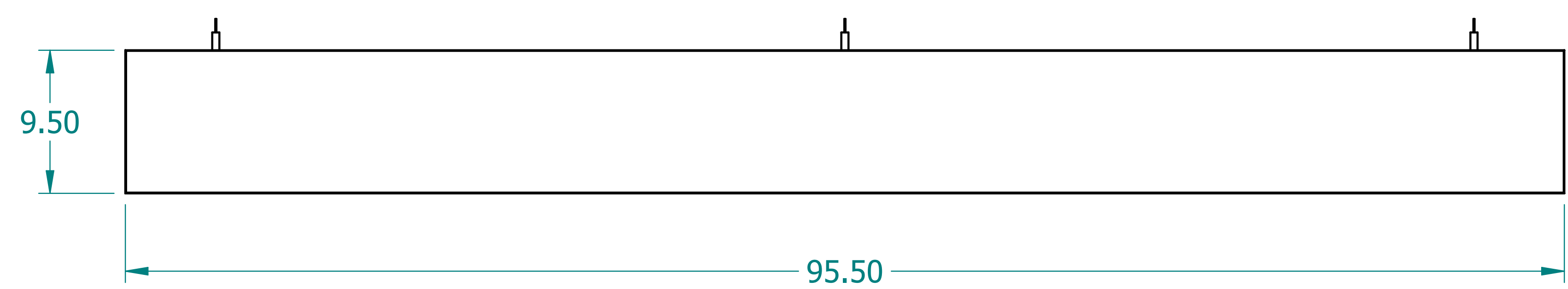
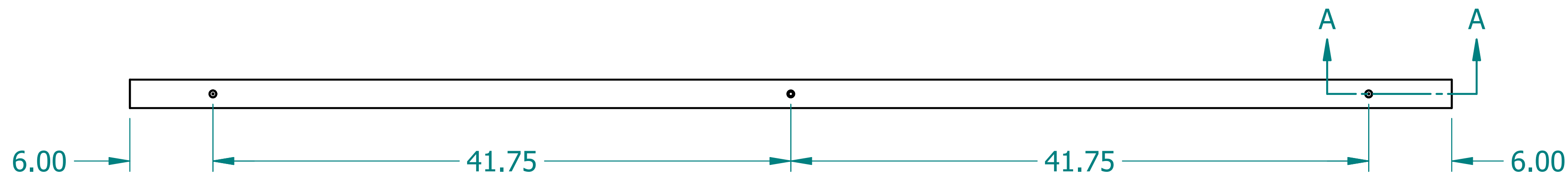
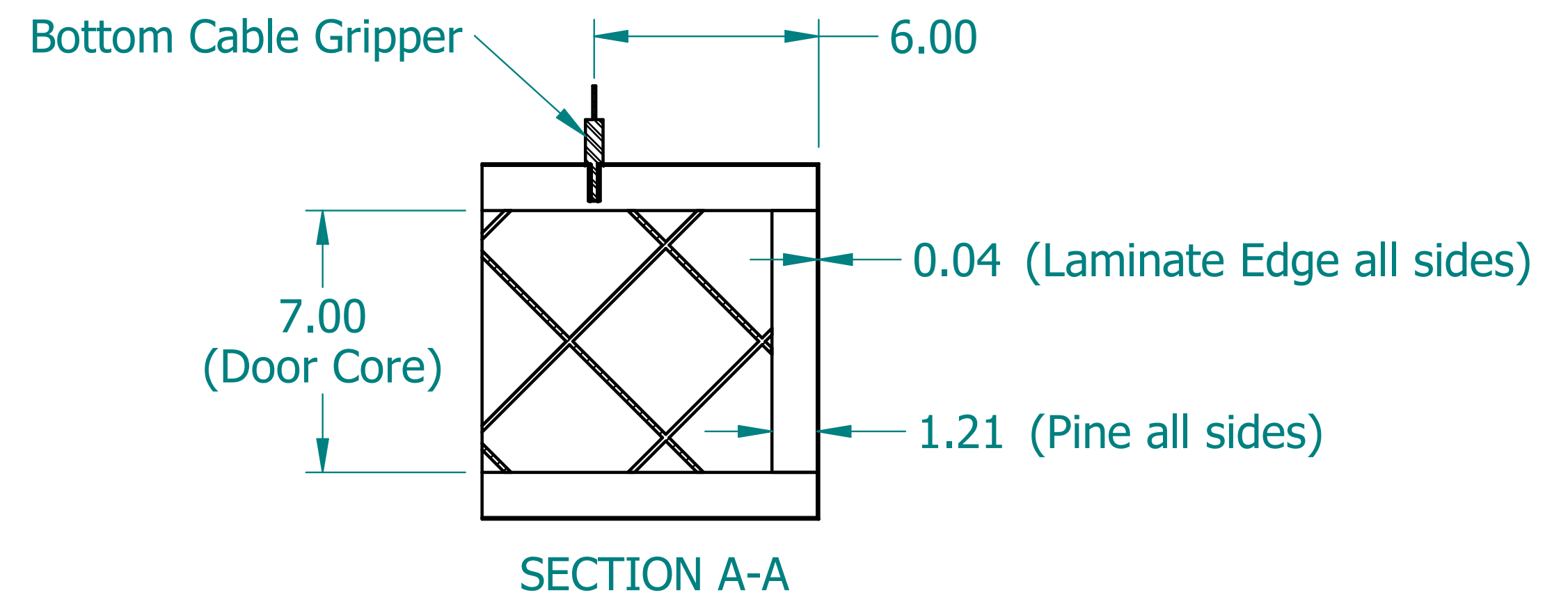
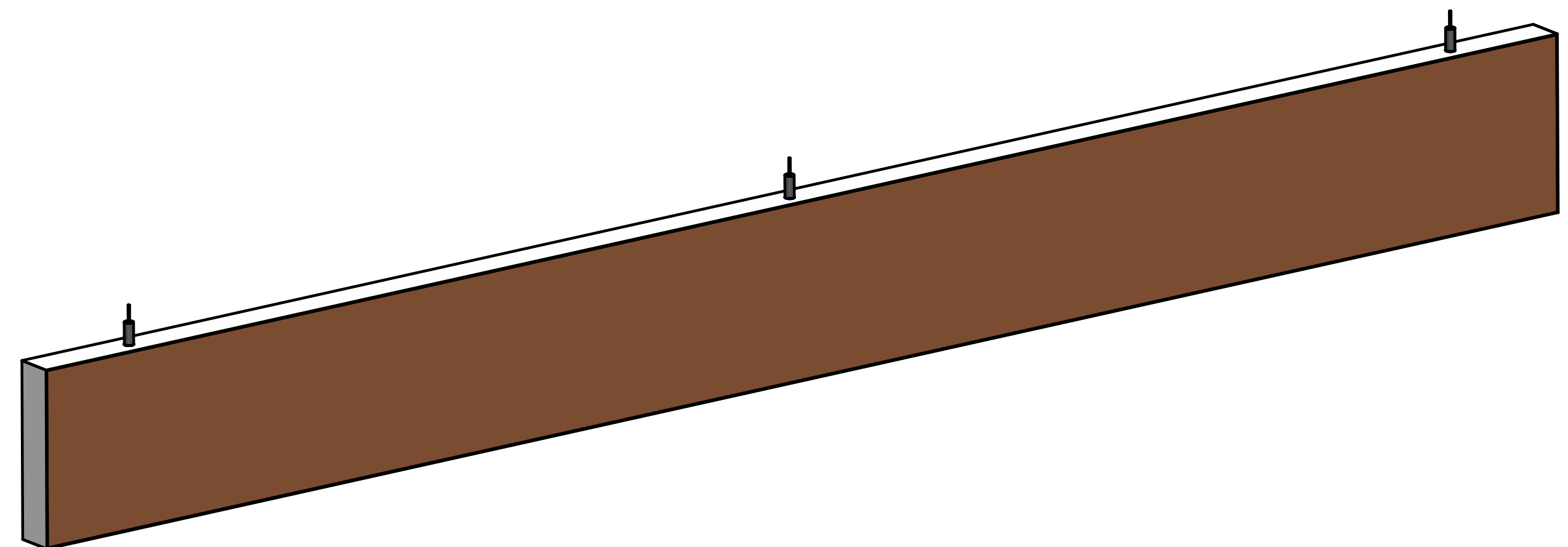


| REVISION HISTORY |             |      |          |
|------------------|-------------|------|----------|
| REV.             | DESCRIPTION | DATE | APPROVED |
|                  |             |      |          |



|          | NAME | DATE     |
|----------|------|----------|
| DRAWN    | SAI  | 03/11/20 |
| ENG APPR | ERIC | 03/11/20 |



UNLESS OTHERWISE SPECIFIED DIMENSIONS ARE IN 'INCHES'  
 ANGLES  $\pm 0.8^\circ$  ; 2 PL  $\pm 0.040$  ;  
 3 PL  $\pm 0.020$

|   |             |              |
|---|-------------|--------------|
| TITLE<br><b>Laminate Beam</b>           |             |              |
| SUBTITLE<br>96"x10"x2"                  |             |              |
| PART NO:<br>Beam-079-XX                 | REV.<br>1.0 |              |
| SIZE: 34"x22"                           | SCALE: 0.17 | SHEET 1 OF 1 |
| FILE NAME: Laminated Beam (96.10.2).dft |             |              |