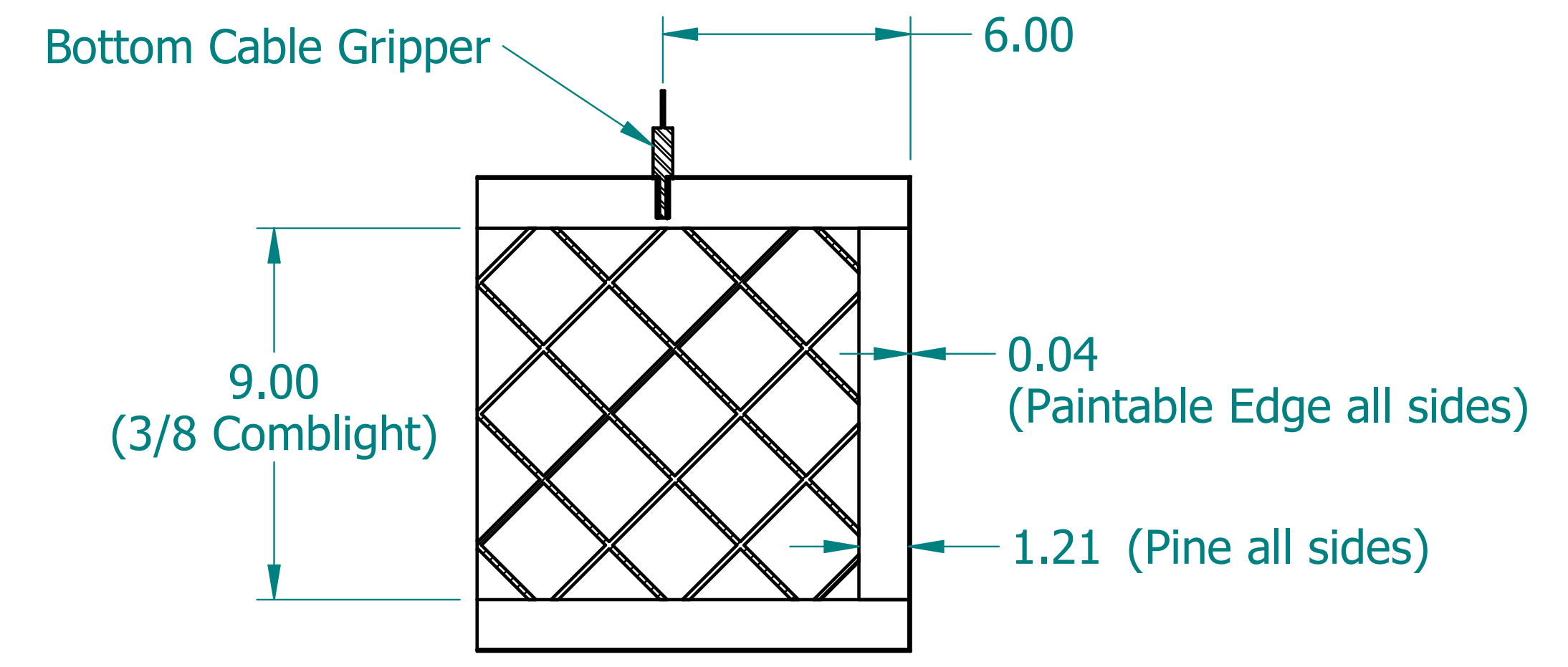
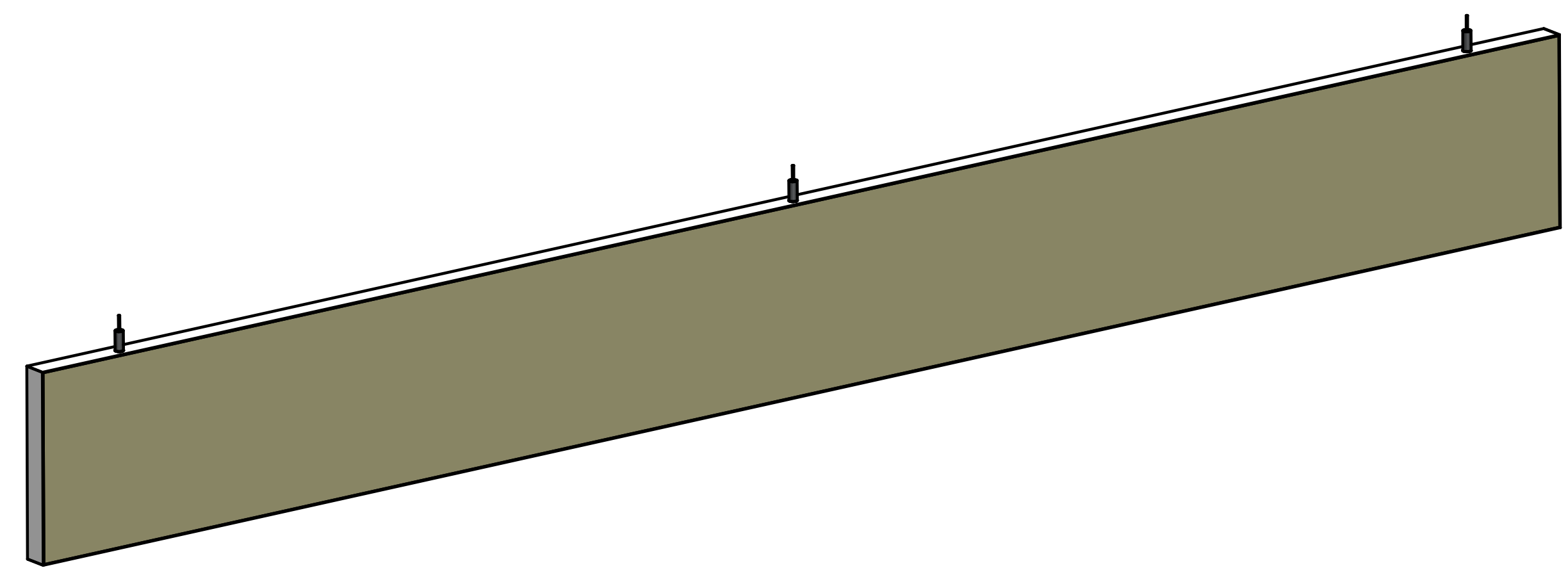
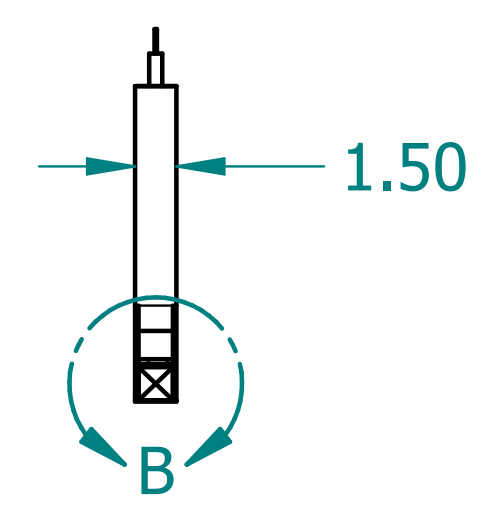
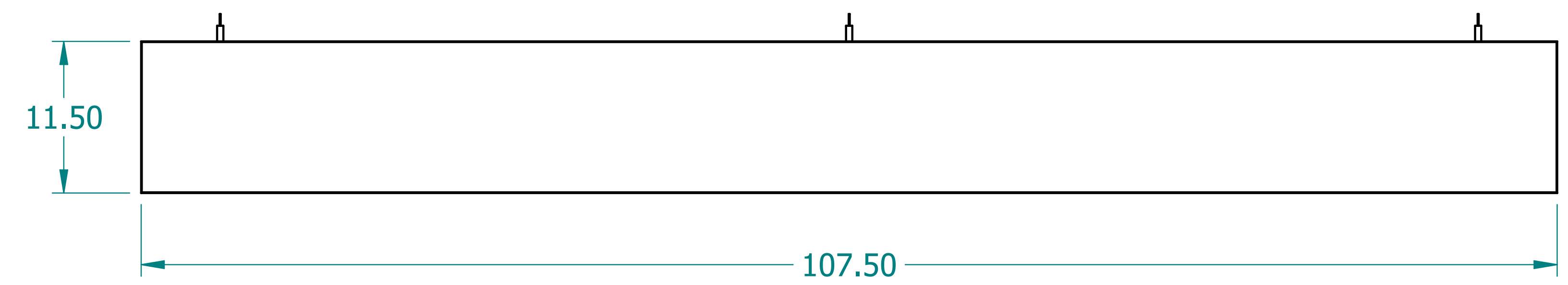
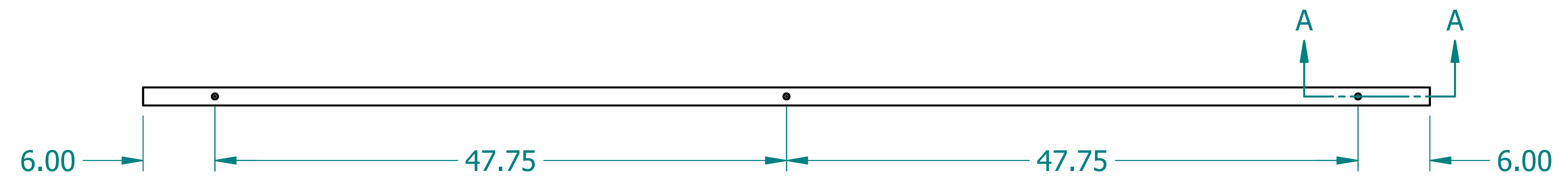


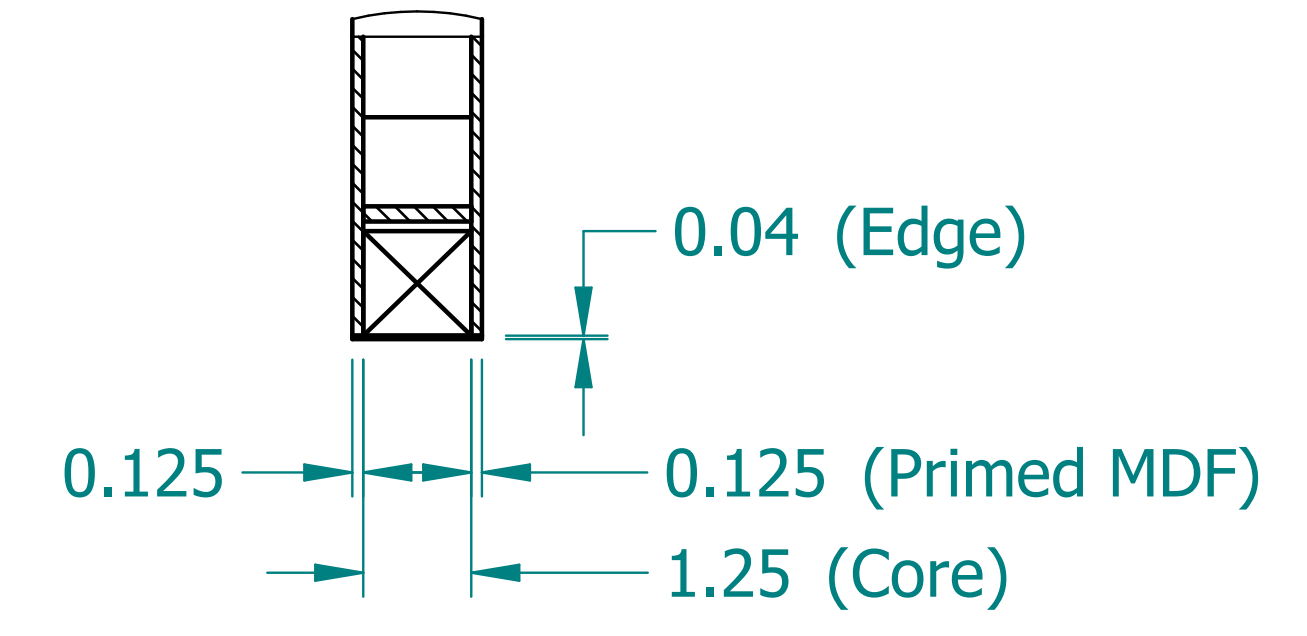
REVISION HISTORY			
REV.	DESCRIPTION	DATE	APPROVED



SECTION A-A



DETAIL B



	NAME	DATE
DRAWN	SAI	03/11/20
ENG APPR	ERIC	03/11/20



UNLESS OTHERWISE SPECIFIED DIMENSIONS ARE IN 'INCHES'
 ANGLES $\pm 0.8^\circ$; 2 PL ± 0.040 ;
 3 PL ± 0.020

TITLE Paintable Beam		
SUBTITLE 108"x12"x1.5"		
PART NO:	Beam-088-PG	REV. 1.0
SIZE: 34"x22"	SCALE: 0.14	SHEET 1 OF 1
FILE NAME: Paintable Beam (108.12.1.5).dft		