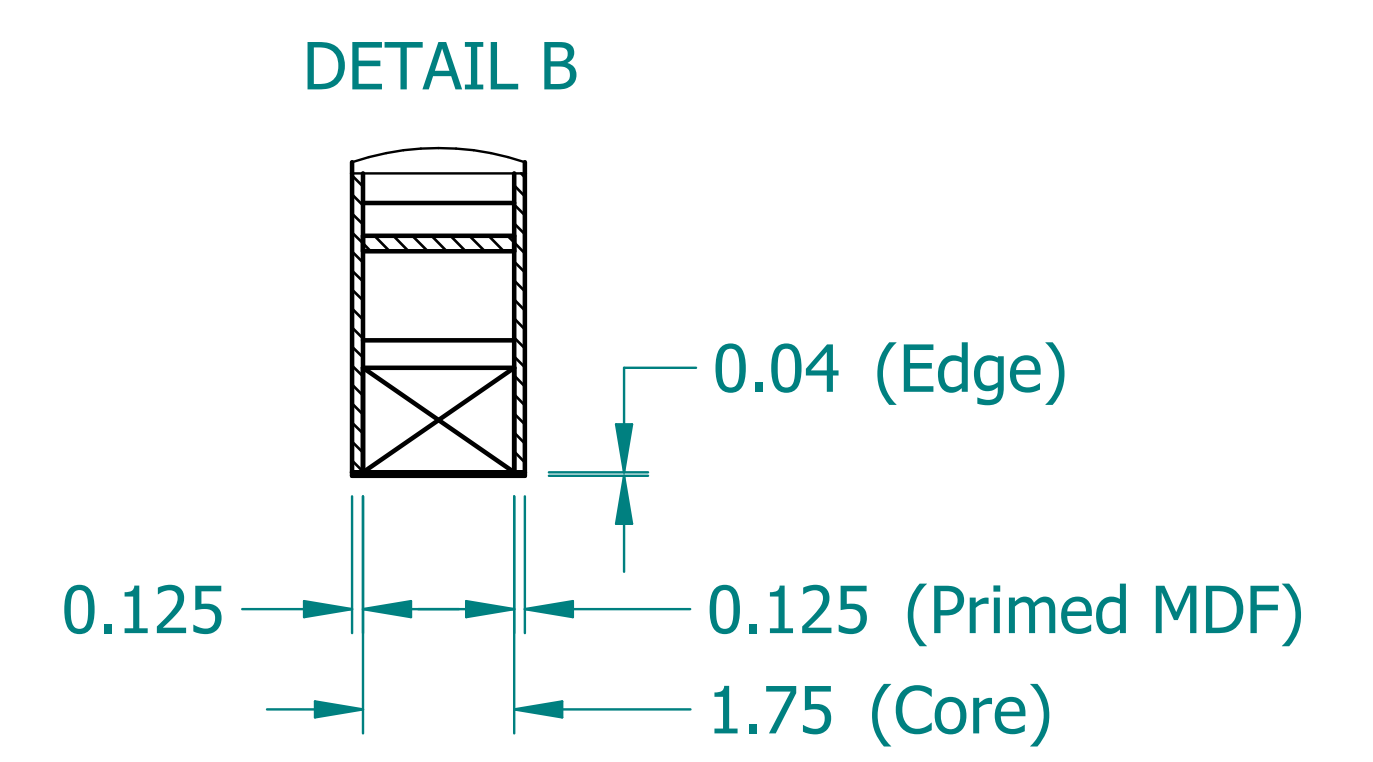
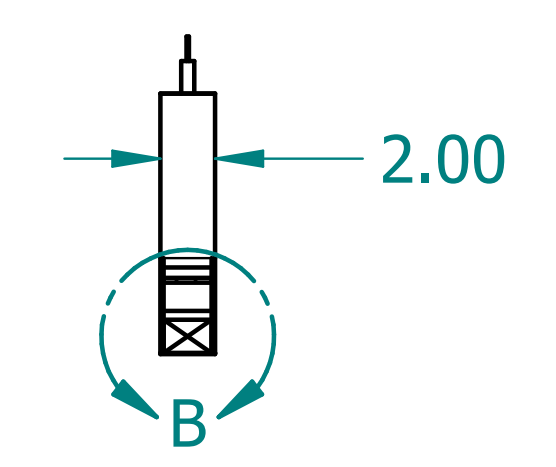
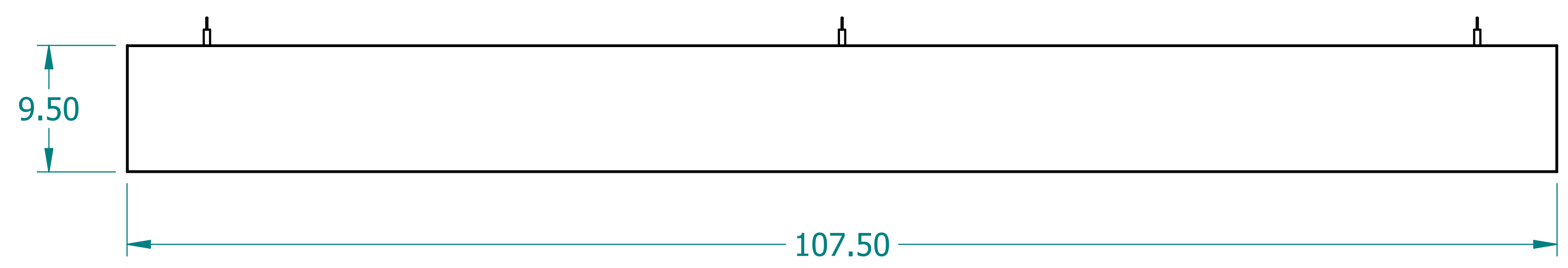
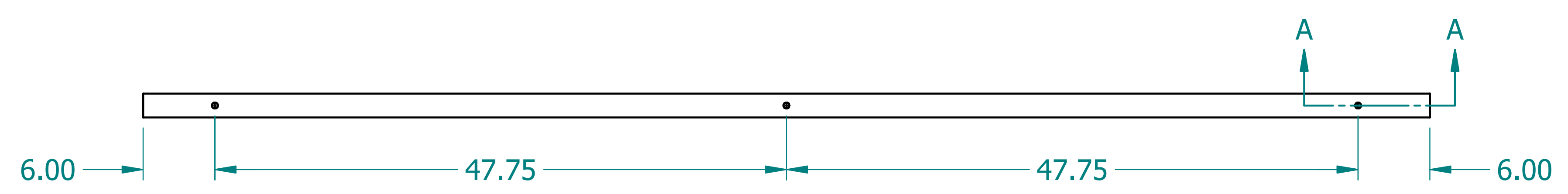
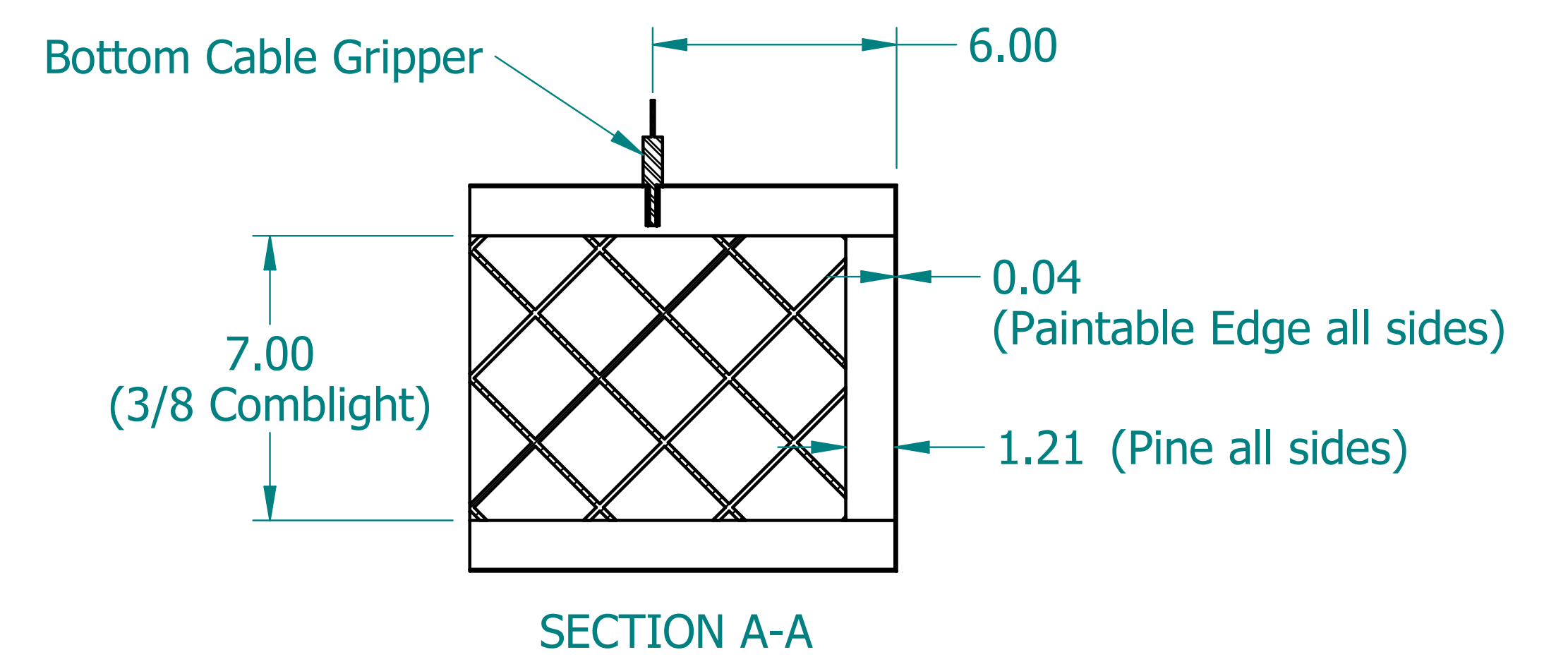
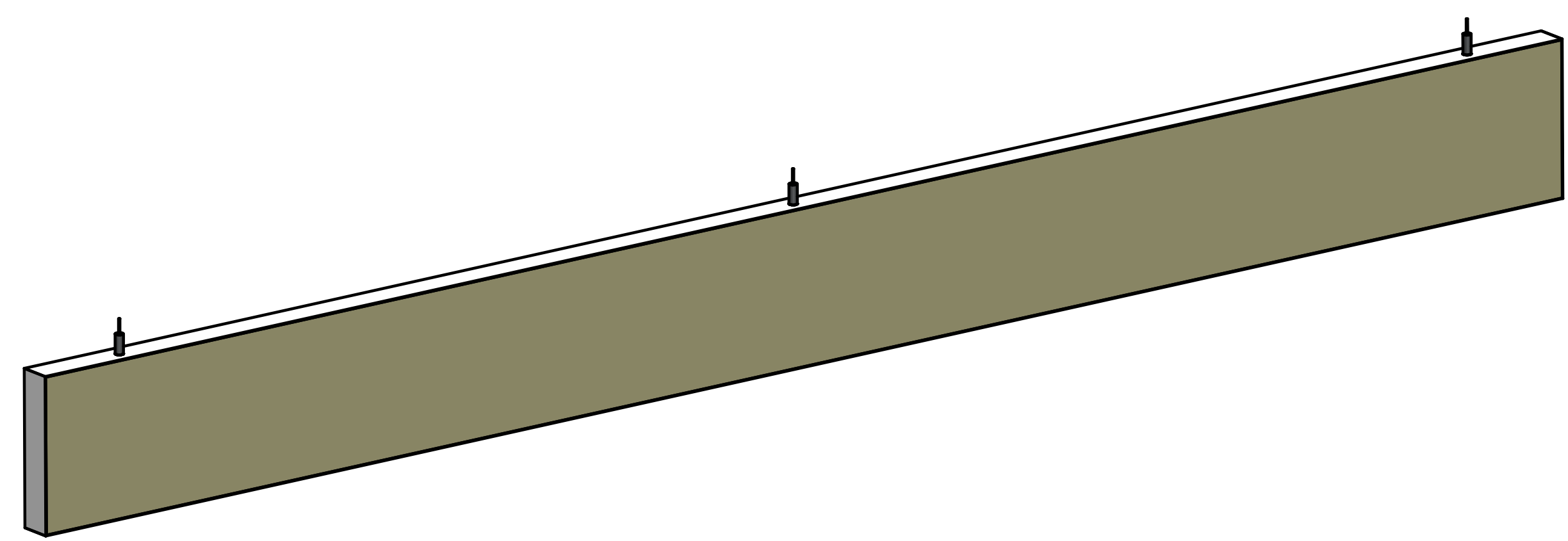


REVISION HISTORY			
REV.	DESCRIPTION	DATE	APPROVED



NAME	DATE	
DRAWN: SAI	03/11/20	
ENG APPR: ERIC	03/11/20	
<p>UNLESS OTHERWISE SPECIFIED DIMENSIONS ARE IN 'INCHES'</p> <p>ANGLES <math>\pm 0.8^\circ</math> ; 2 PL <math>\pm 0.040</math> ; 3 PL <math>\pm 0.020</math></p>		<p>TITLE: Paintable Beam</p> <p>SUBTITLE: 108"x10"x2"</p> <p>PART NO: Beam-091-PG    REV. 1.0</p> <p>SIZE: 34"x22"    SCALE: 0.14    SHEET 1 OF 1</p> <p>FILE NAME: Paintable Beam (108.10.2).dft</p>