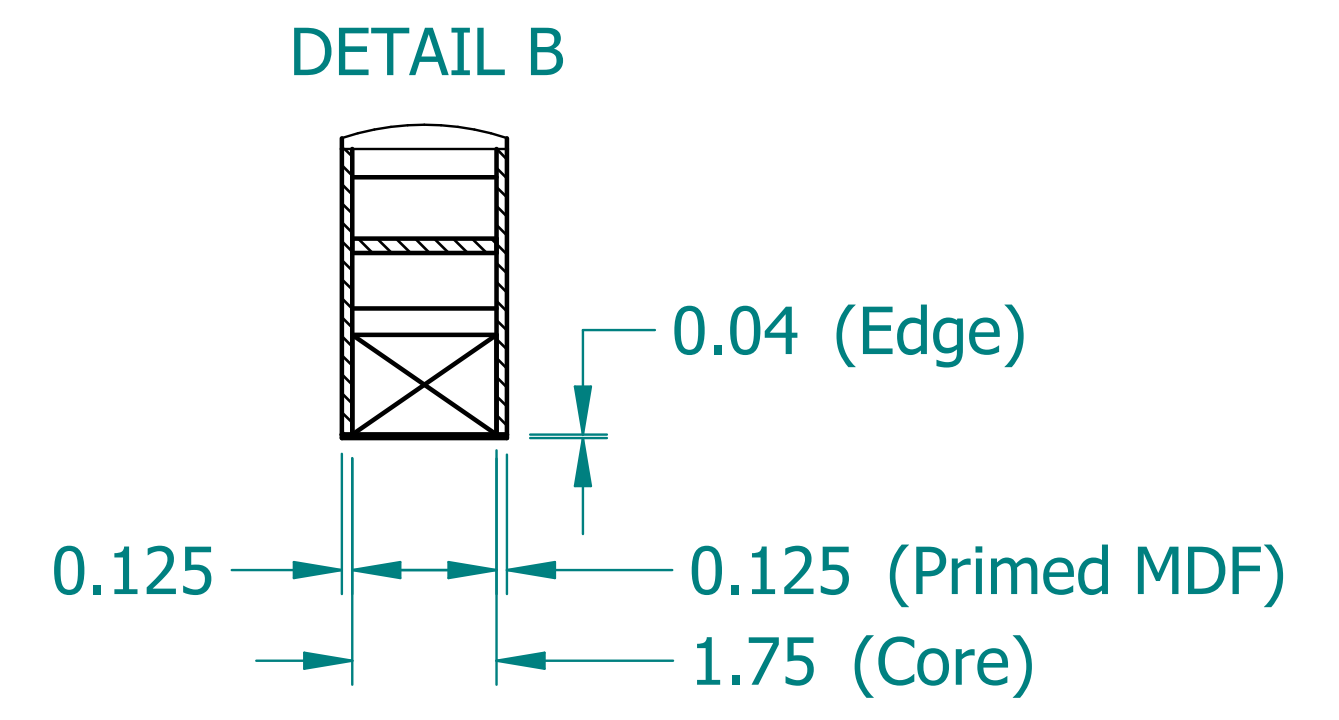
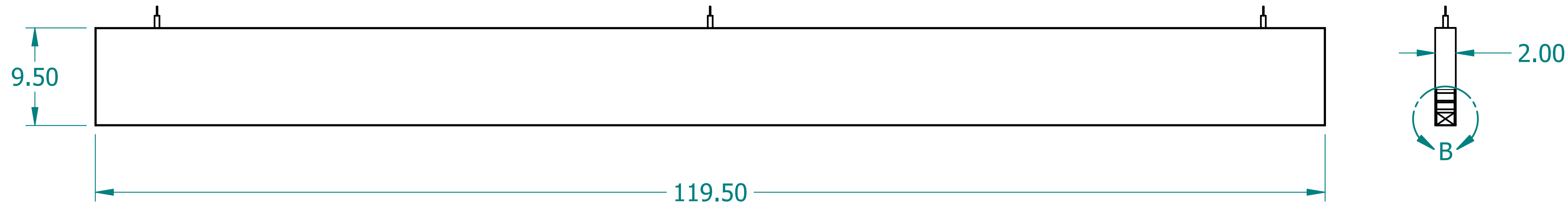
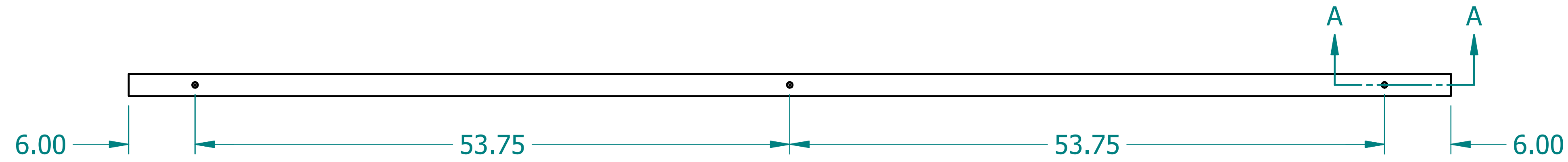
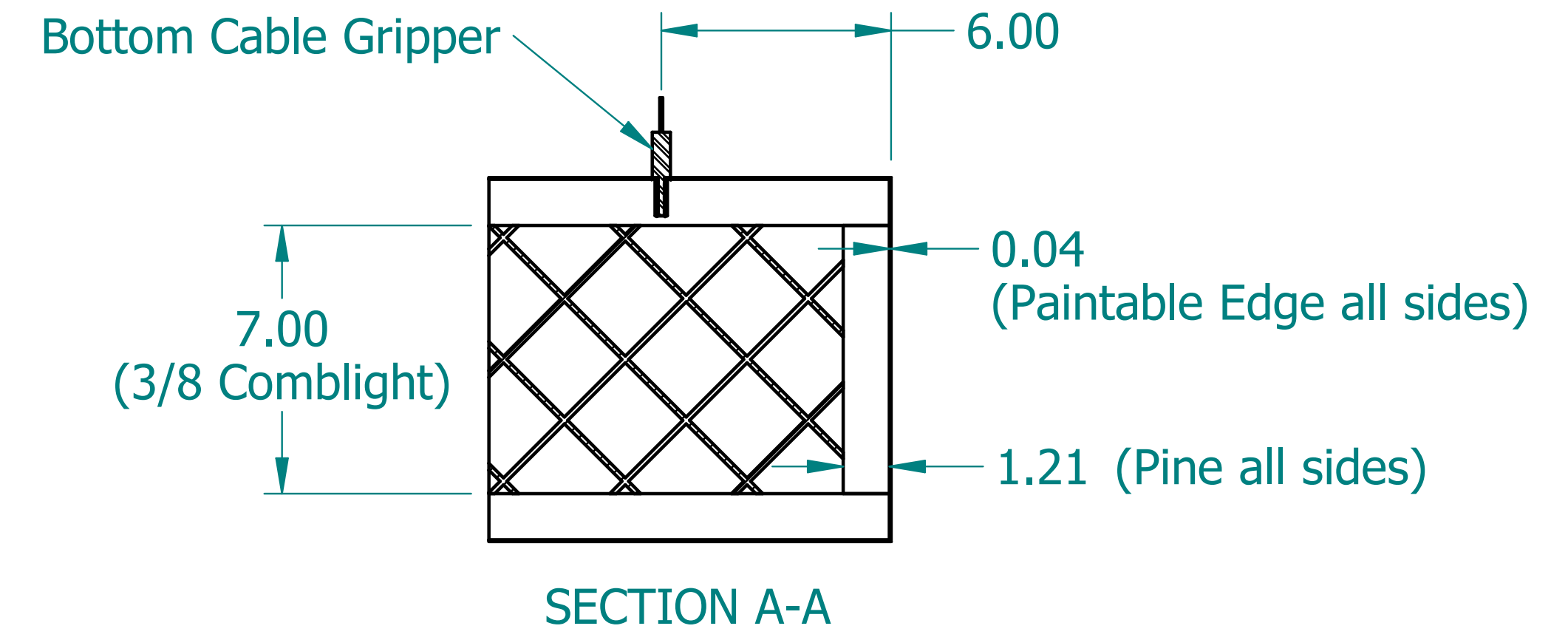
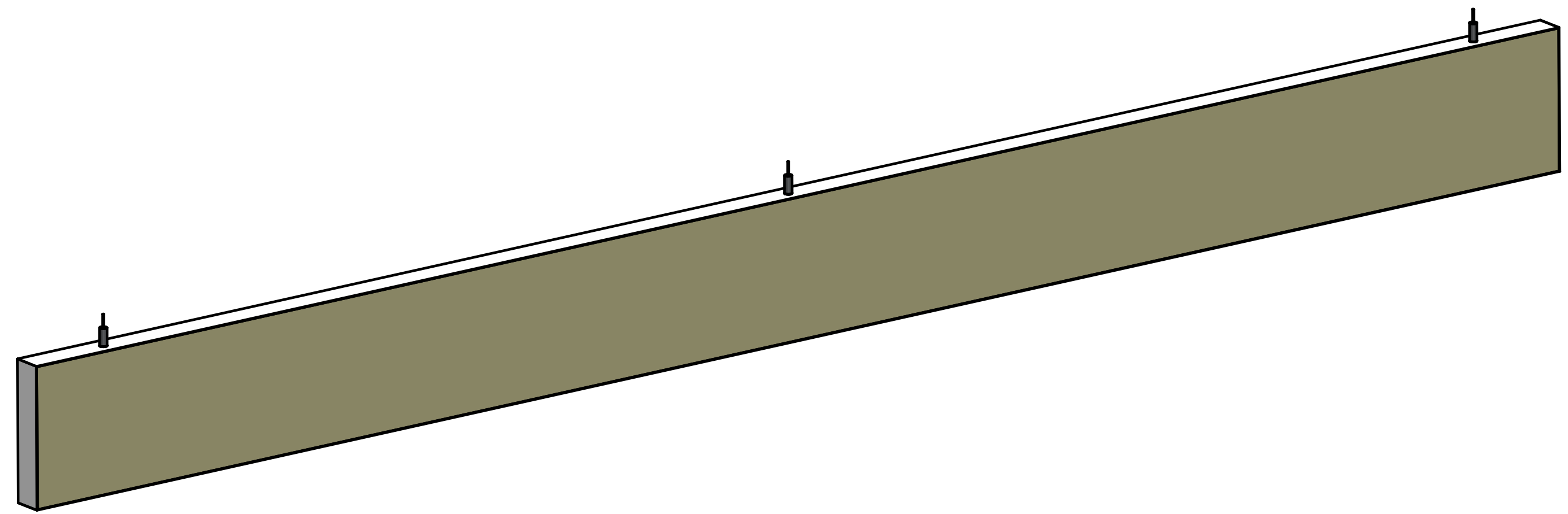


REVISION HISTORY			
REV.	DESCRIPTION	DATE	APPROVED



	NAME	DATE		
DRAWN	SAI	03/11/20		
ENG APPR	ERIC	03/11/20		
<p>UNLESS OTHERWISE SPECIFIED DIMENSIONS ARE IN 'INCHES'</p> <p>ANGLES <math>\pm 0.8^\circ</math> ; 2 PL <math>\pm 0.040</math> ; 3 PL <math>\pm 0.020</math></p>			<p>TITLE</p> <p><b>Paintable Beam</b></p>	
			<p>SUBTITLE</p> <p>120"x10"x2"</p>	
PART NO:		Beam-099-PG	REV.	1.0
SIZE: 34"x22"	SCALE: 0.14	SHEET 1 OF 1		
FILE NAME: Paintable Beam (120.10.2).dft				