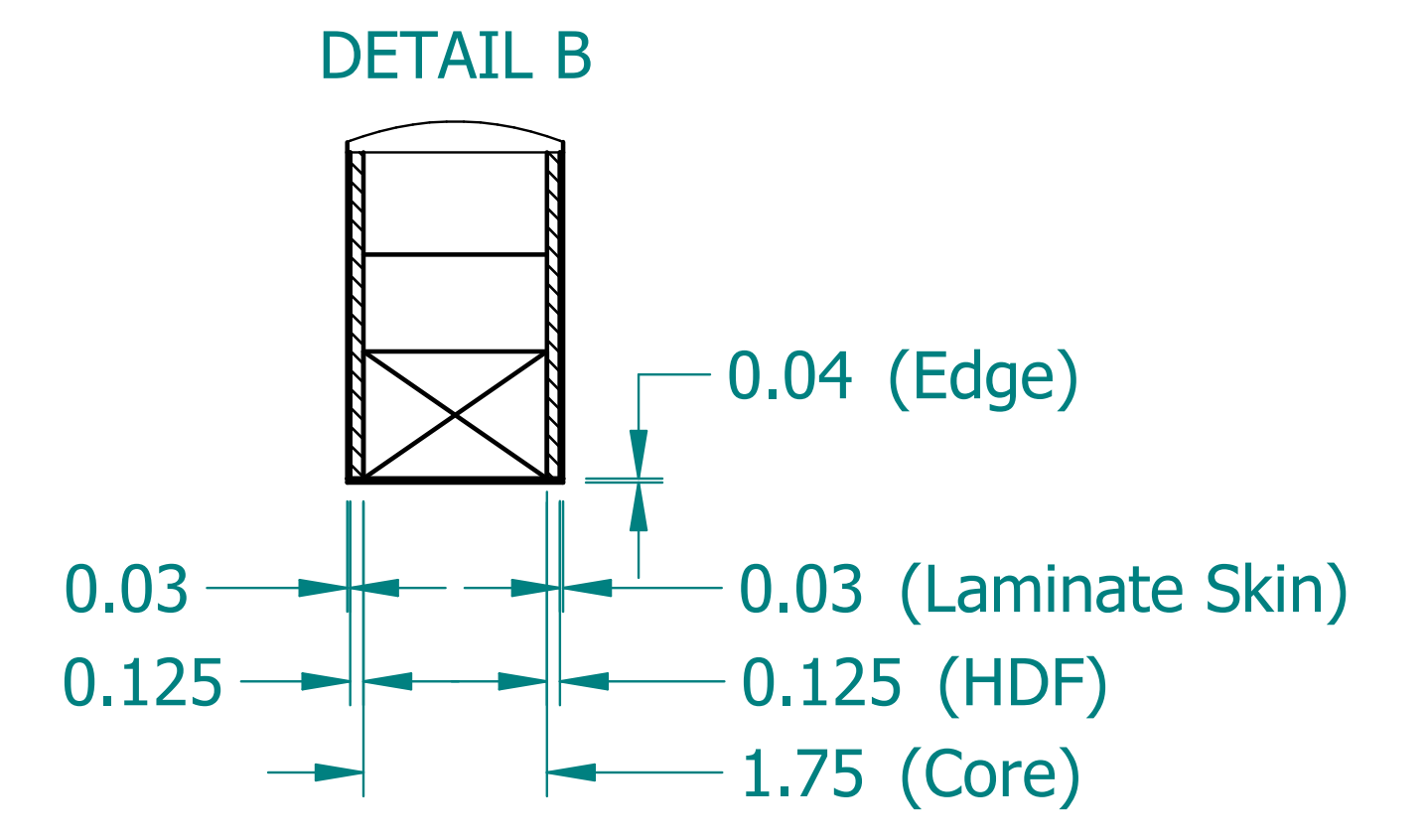
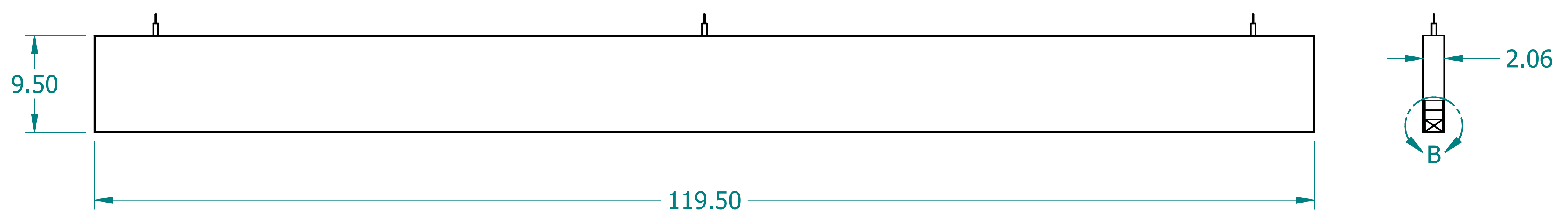
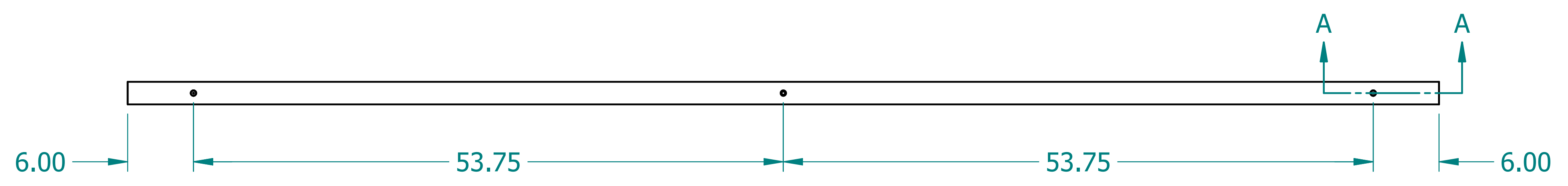
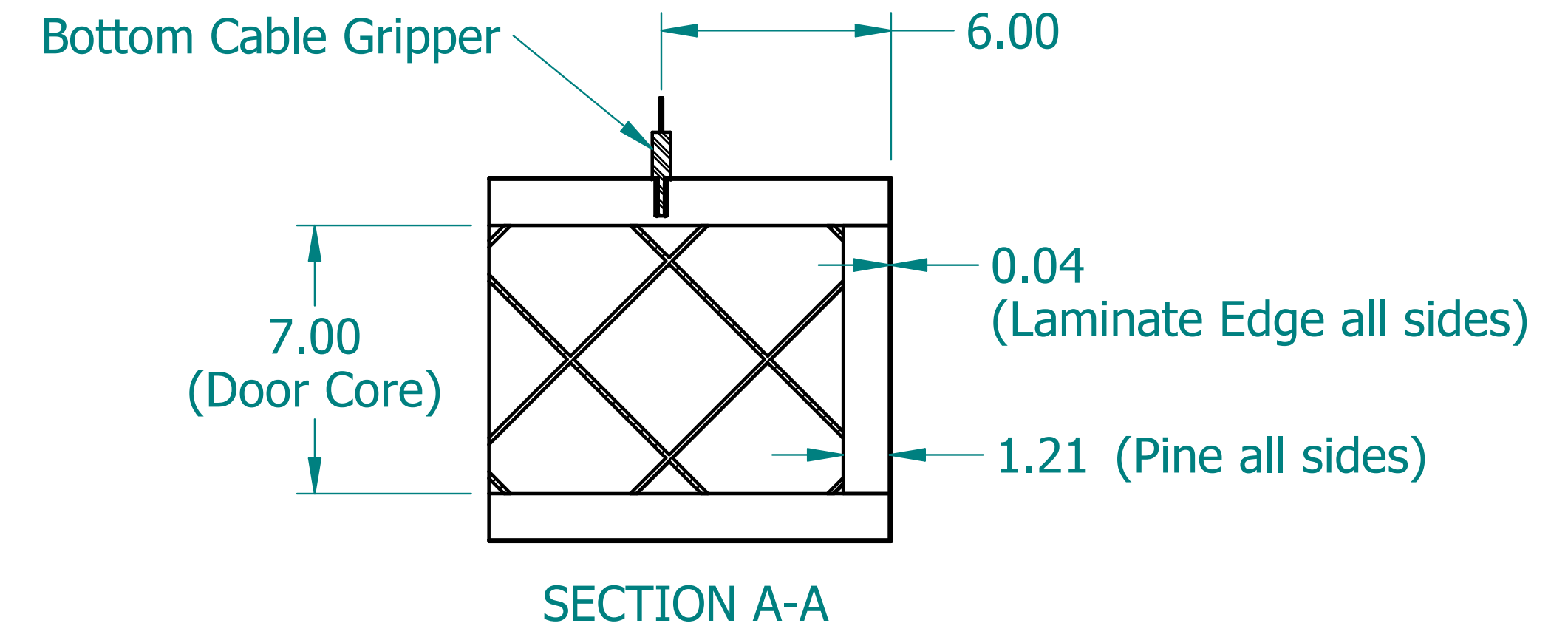
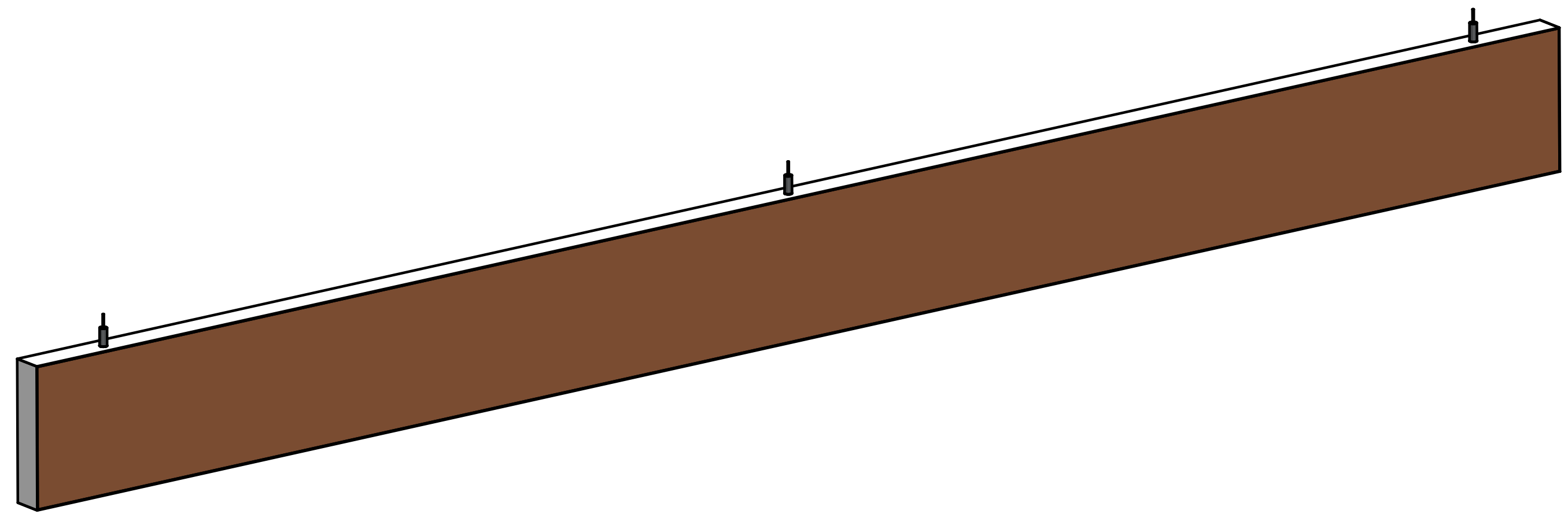


REVISION HISTORY			
REV.	DESCRIPTION	DATE	APPROVED



NAME	DATE	
DRAWN: SAI	03/11/20	
ENG APPR: ERIC	03/11/20	
		TITLE: Laminated Beam
UNLESS OTHERWISE SPECIFIED DIMENSIONS ARE IN 'INCHES' ANGLES $\pm 0.8^\circ$ ; 2 PL $\pm 0.040$ ; 3 PL $\pm 0.020$		SUBTITLE: 120"x10"x2"
		PART NO: Beam-099-XX REV: 1.0
		SIZE: 34"x22" SCALE: 0.14 SHEET 1 OF 1
FILE NAME: Laminated Beam (120.10.2).dft		