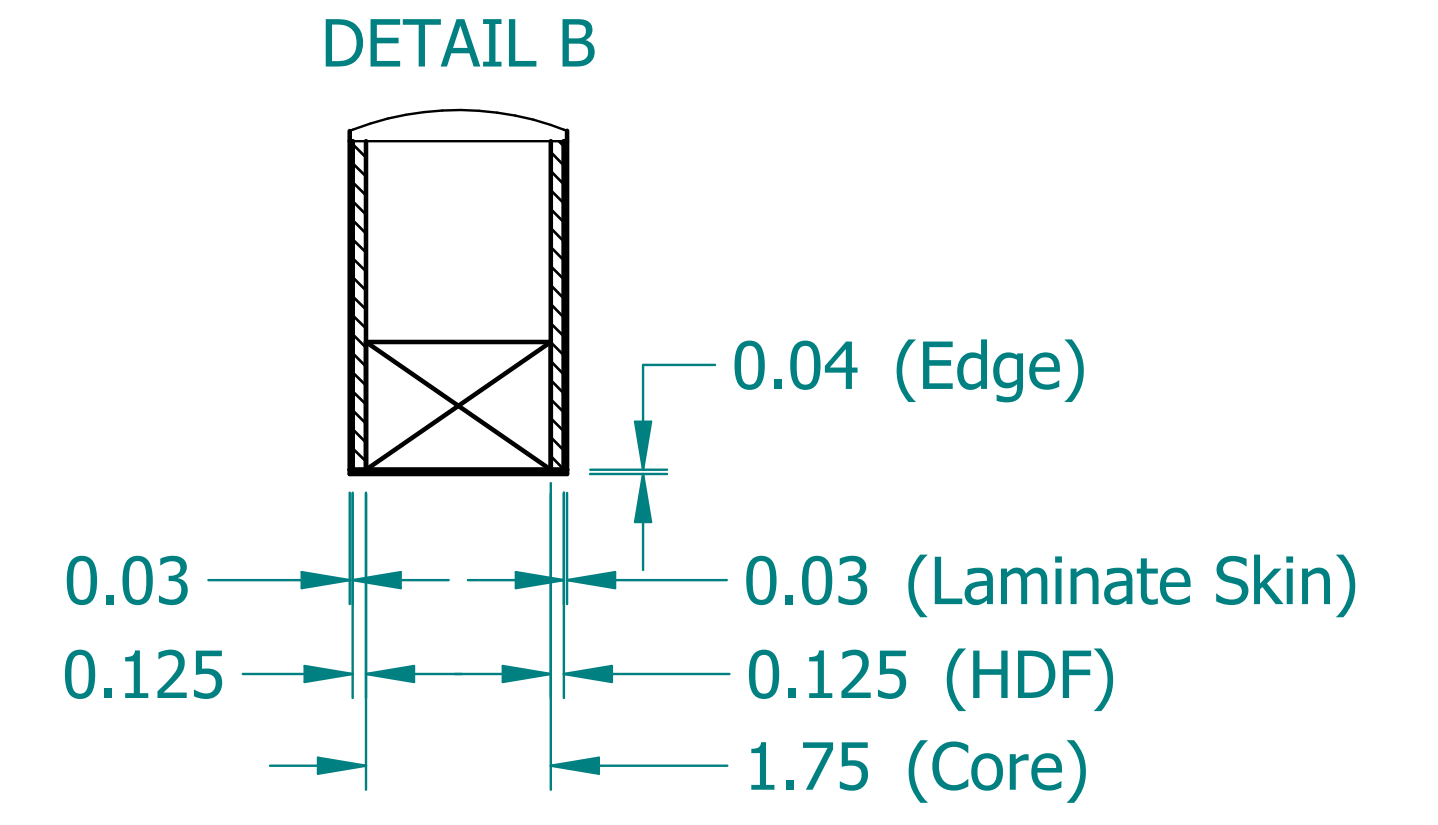
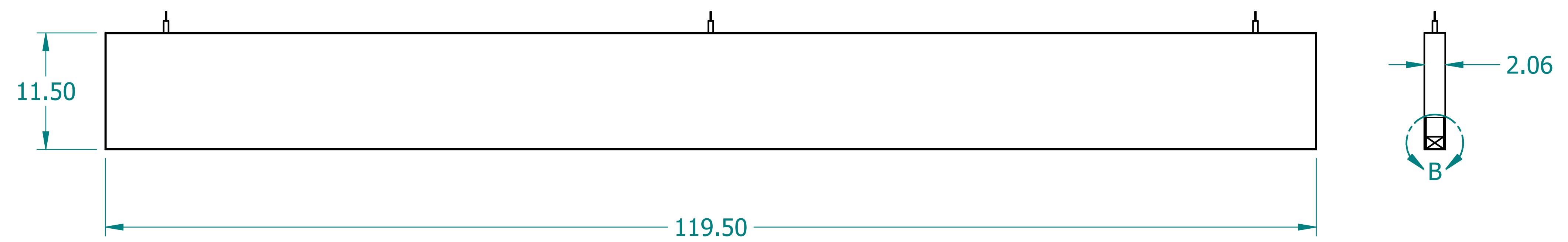
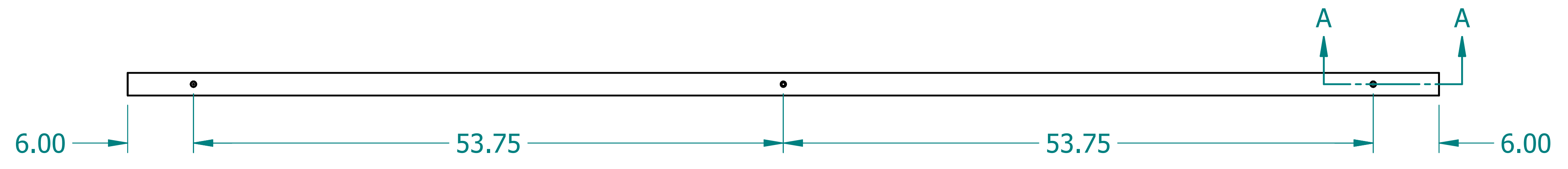
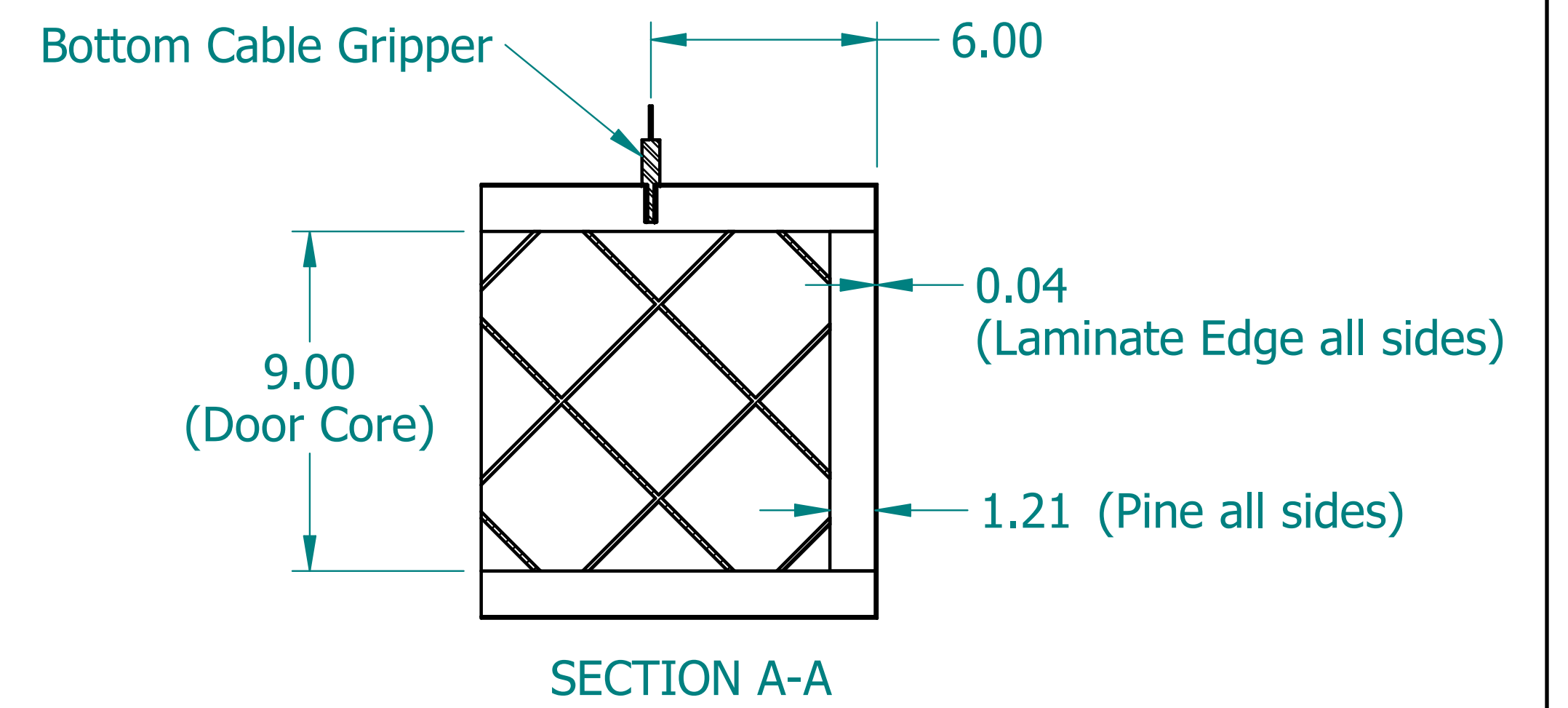
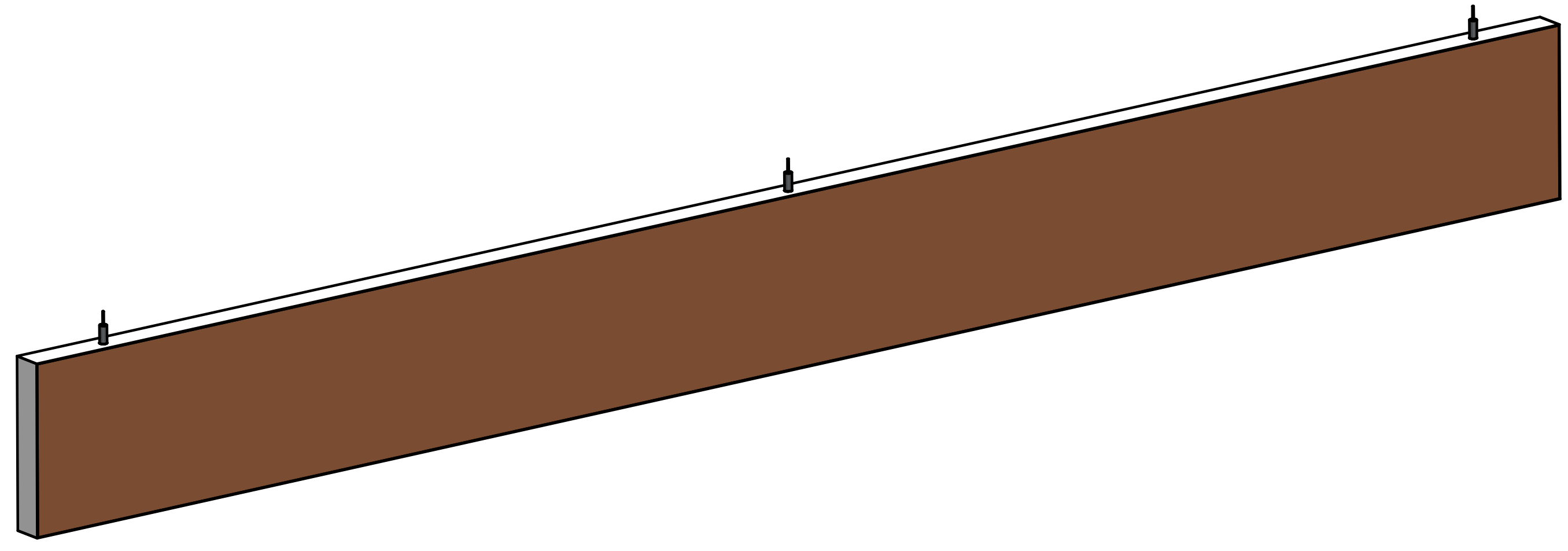


REVISION HISTORY			
REV.	DESCRIPTION	DATE	APPROVED



	NAME	DATE
DRAWN	SAI	03/11/20
ENG APPR	ERIC	03/11/20



UNLESS OTHERWISE SPECIFIED DIMENSIONS ARE IN 'INCHES'  
 ANGLES  $\pm 0.8^\circ$  ; 2 PL  $\pm 0.040$  ;  
 3 PL  $\pm 0.020$

TITLE		Laminate Beam	
SUBTITLE		120"x12"x2"	
PART NO:	Beam-100-XX	REV.	1.0
SIZE: 34"x22"	SCALE: 0.14	SHEET 1 OF 1	
FILE NAME: Laminated Beam (120.12.2).dft			