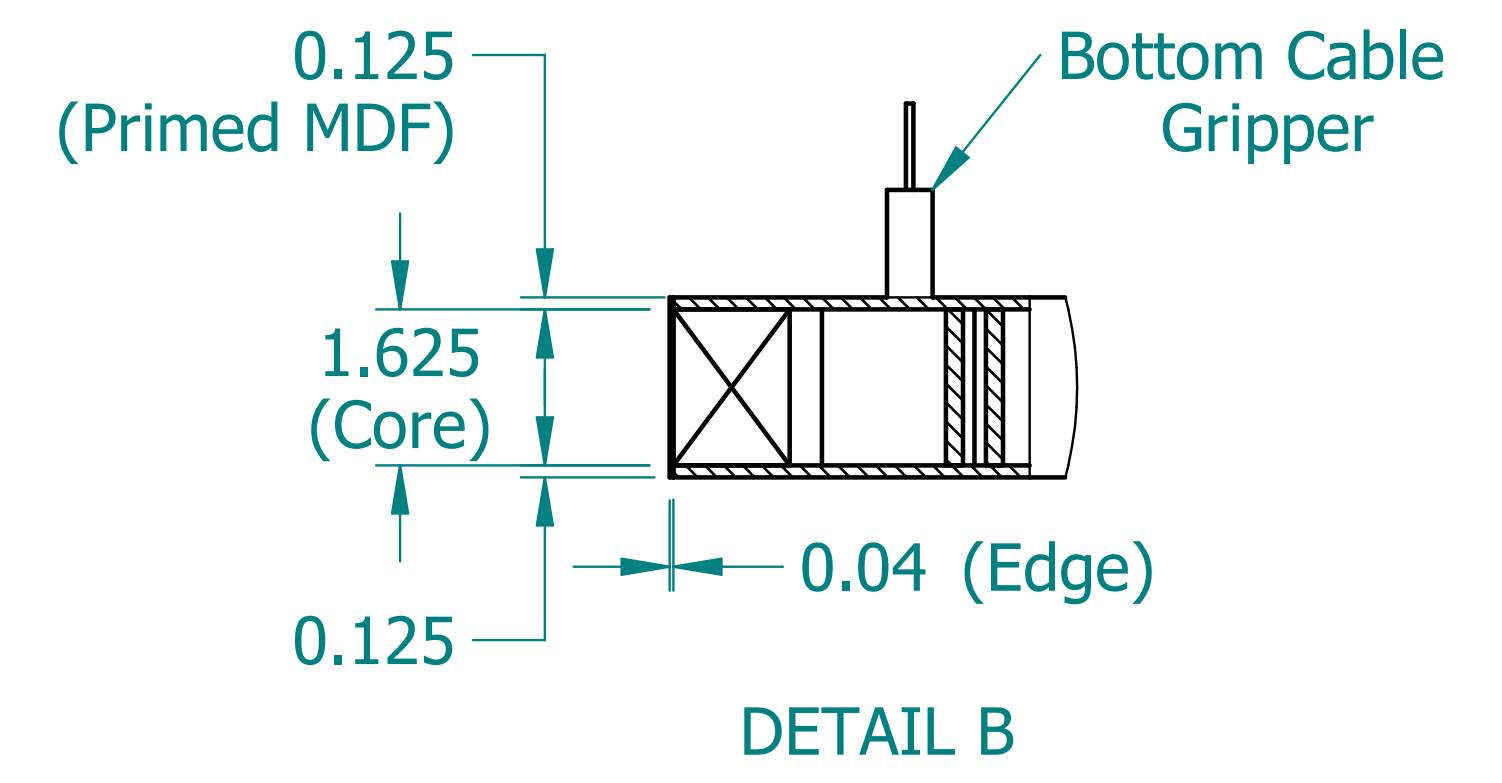
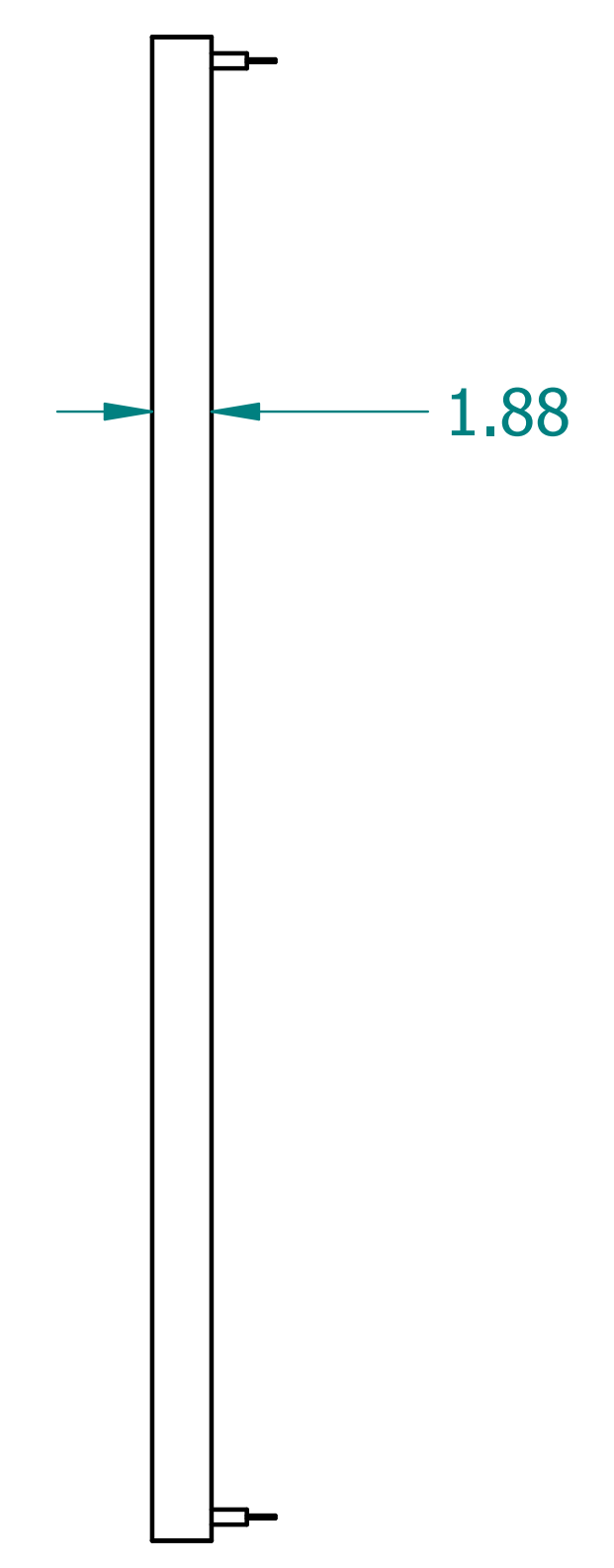
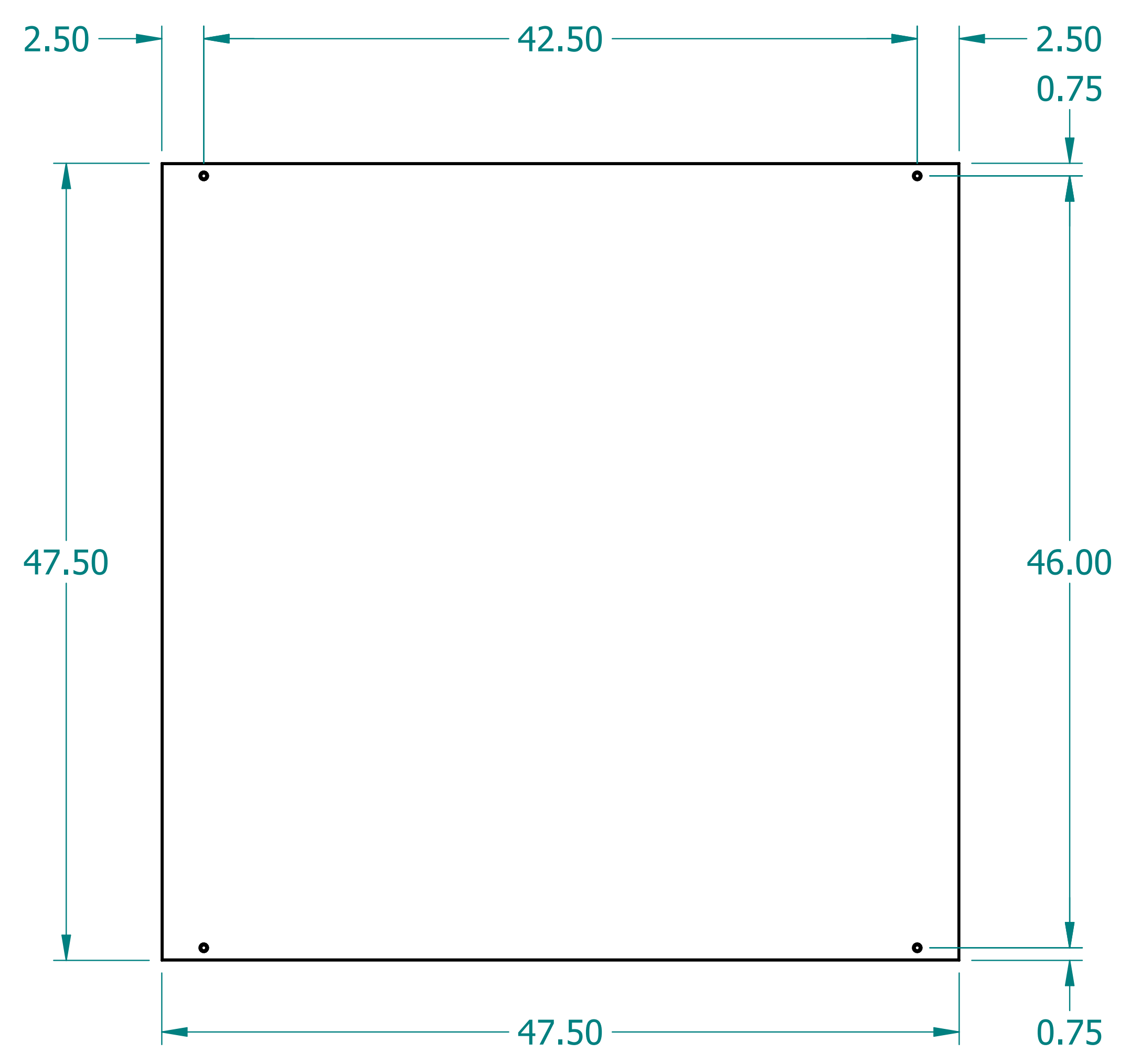
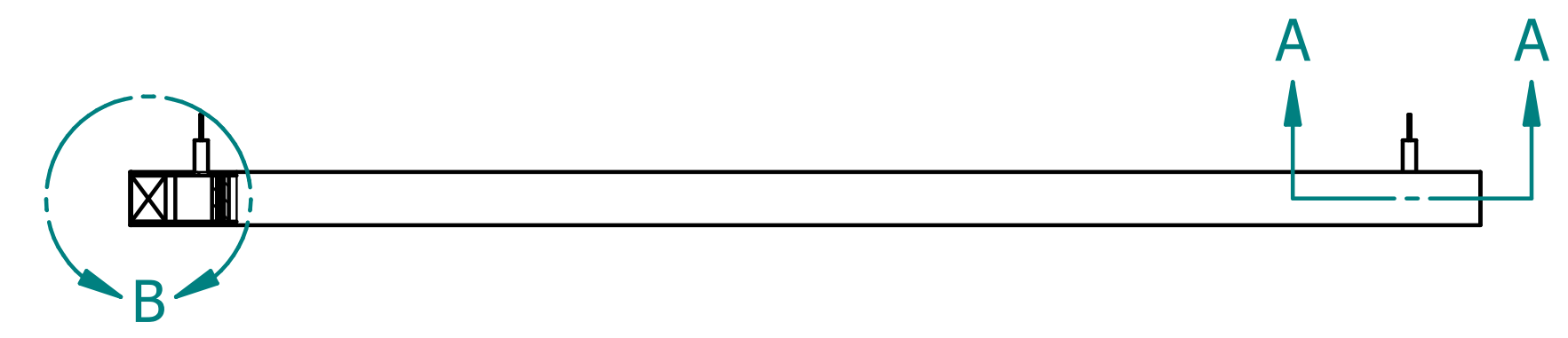
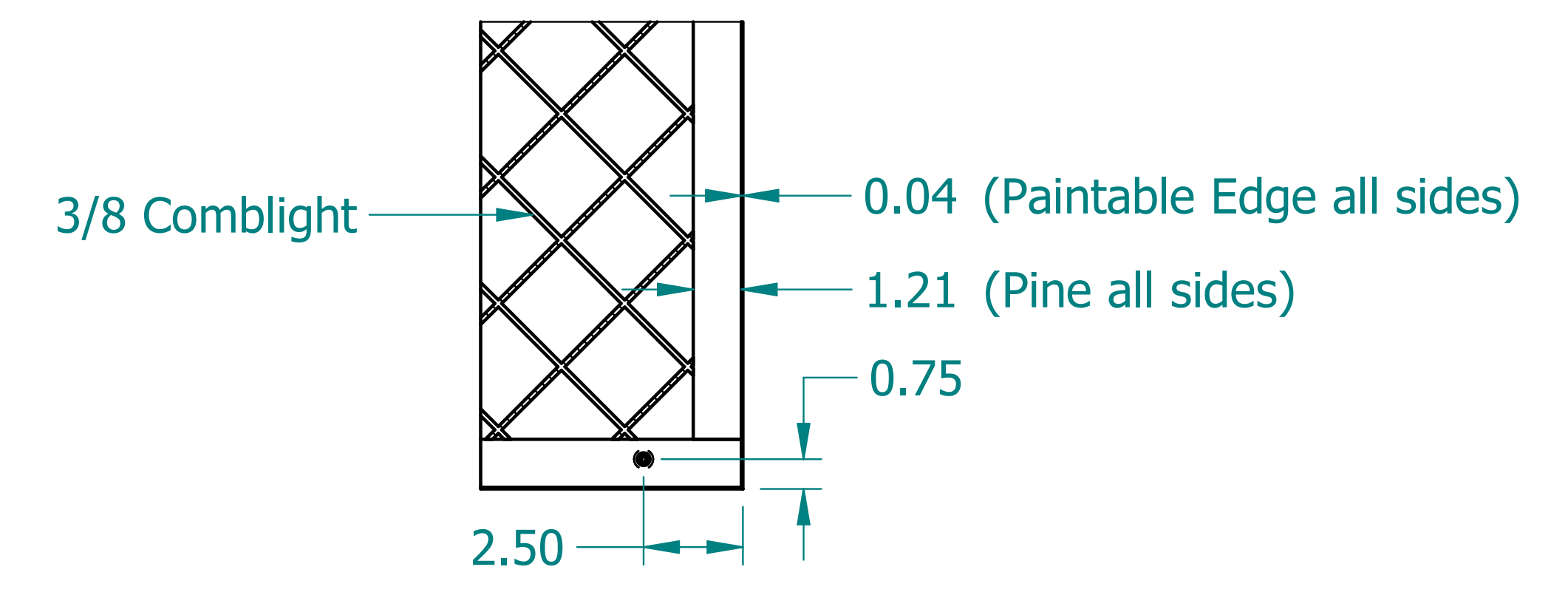


| REVISION HISTORY |             |      |          |
|------------------|-------------|------|----------|
| REV.             | DESCRIPTION | DATE | APPROVED |
|                  |             |      |          |

SECTION A-A



|  |          |  |
|--|----------|--|
| NAME   | DATE     |  |
| DRAWN: SAI   | 03/03/20 |  |
| ENG APPR: ERIC   | 03/03/20 |  |
| <p>UNLESS OTHERWISE SPECIFIED DIMENSIONS ARE IN 'INCHES'</p> <p>ANGLES ±0.8° ; 2 PL ±0.040 ; 3 PL ±0.020</p> |          | <p>TITLE: Paintable Shape: Square</p> <p>SUBTITLE: 48"x48"x2"</p> <p>PART NO: Shape-1-05-PG    REV: 1.0</p> <p>SIZE: 34"x22"    SCALE: 0.17    SHEET 1 OF 1</p> <p>FILE NAME: Paintable Square (48.48.2).dft</p> |