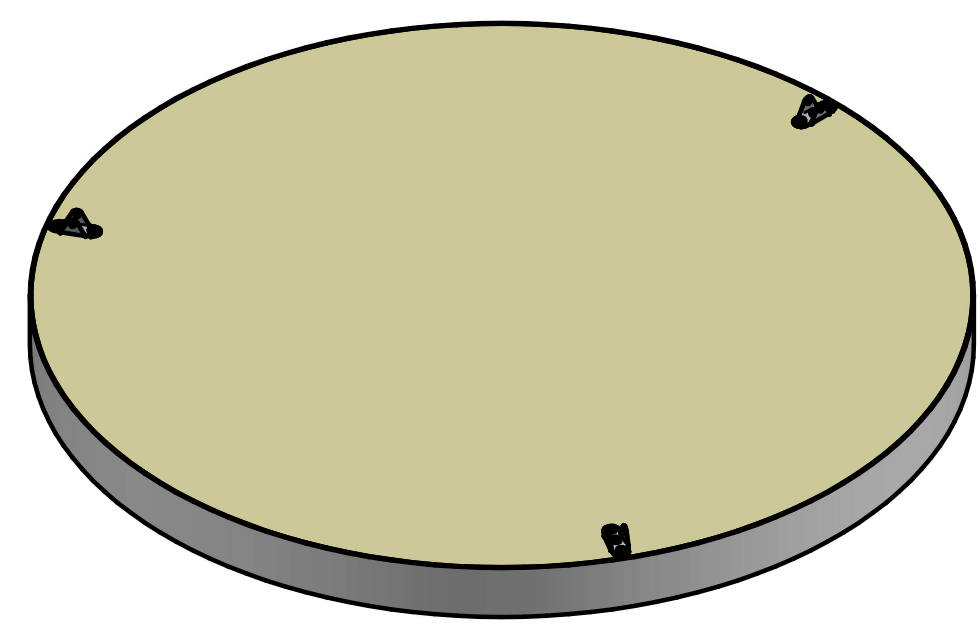
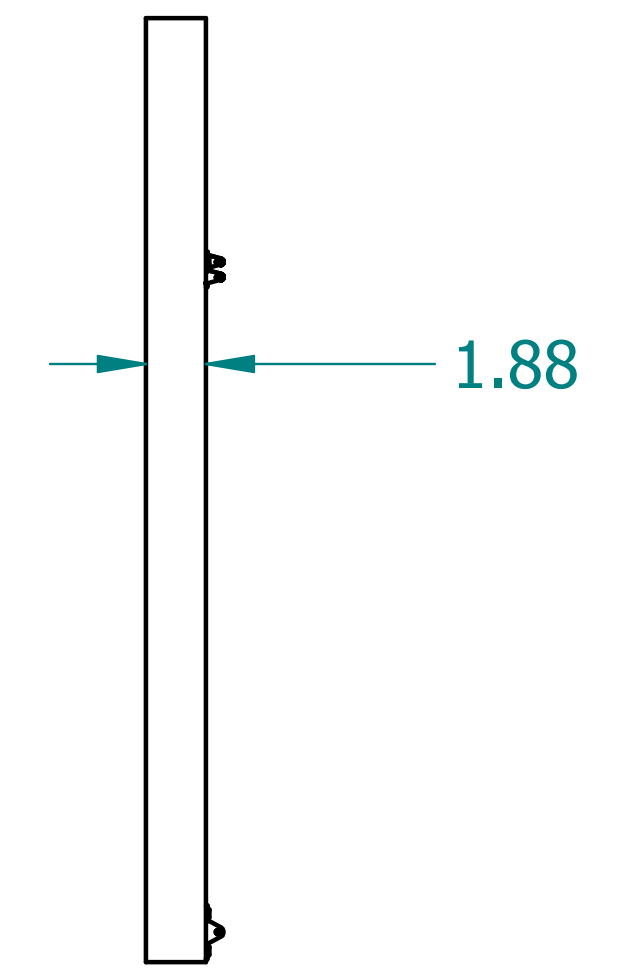
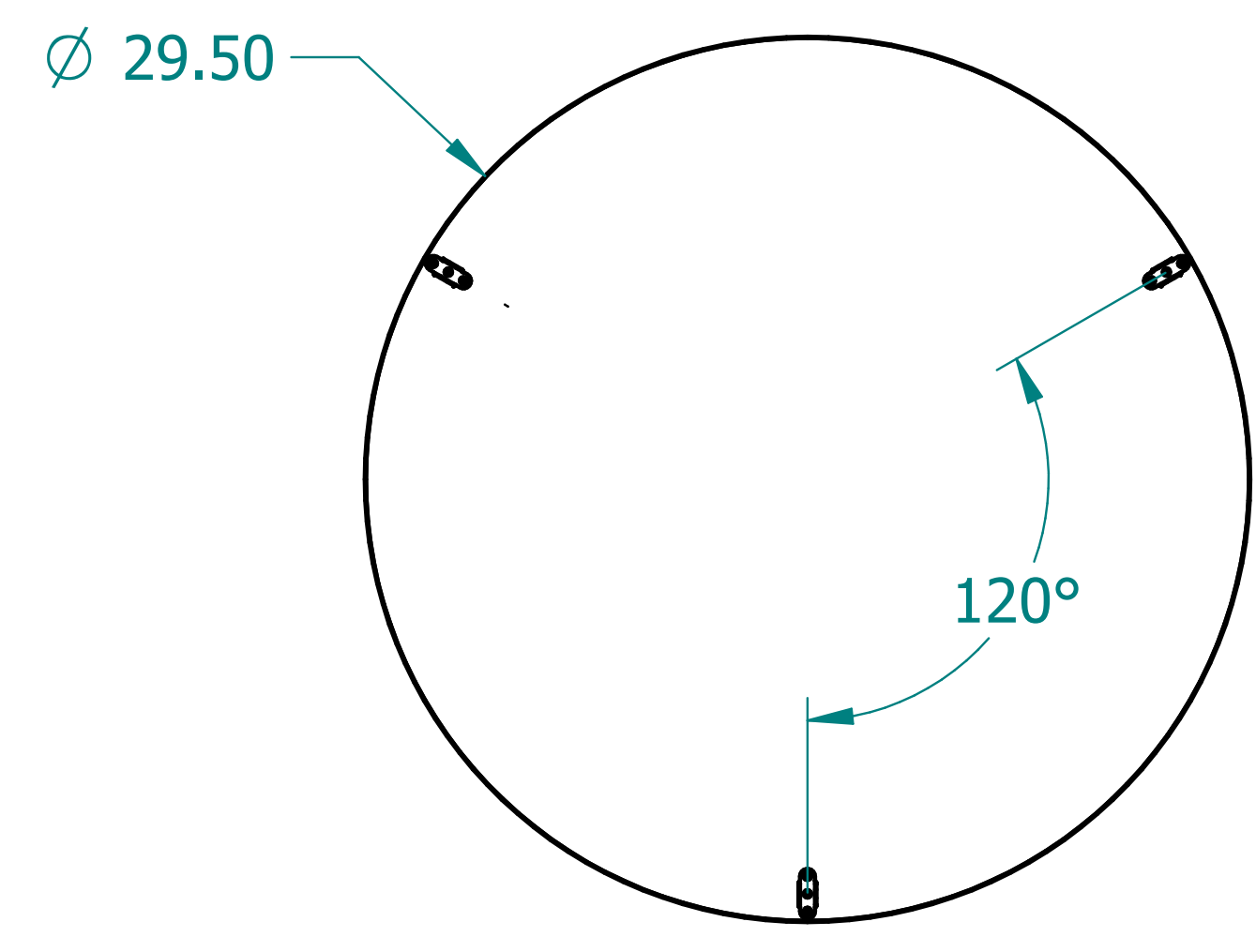
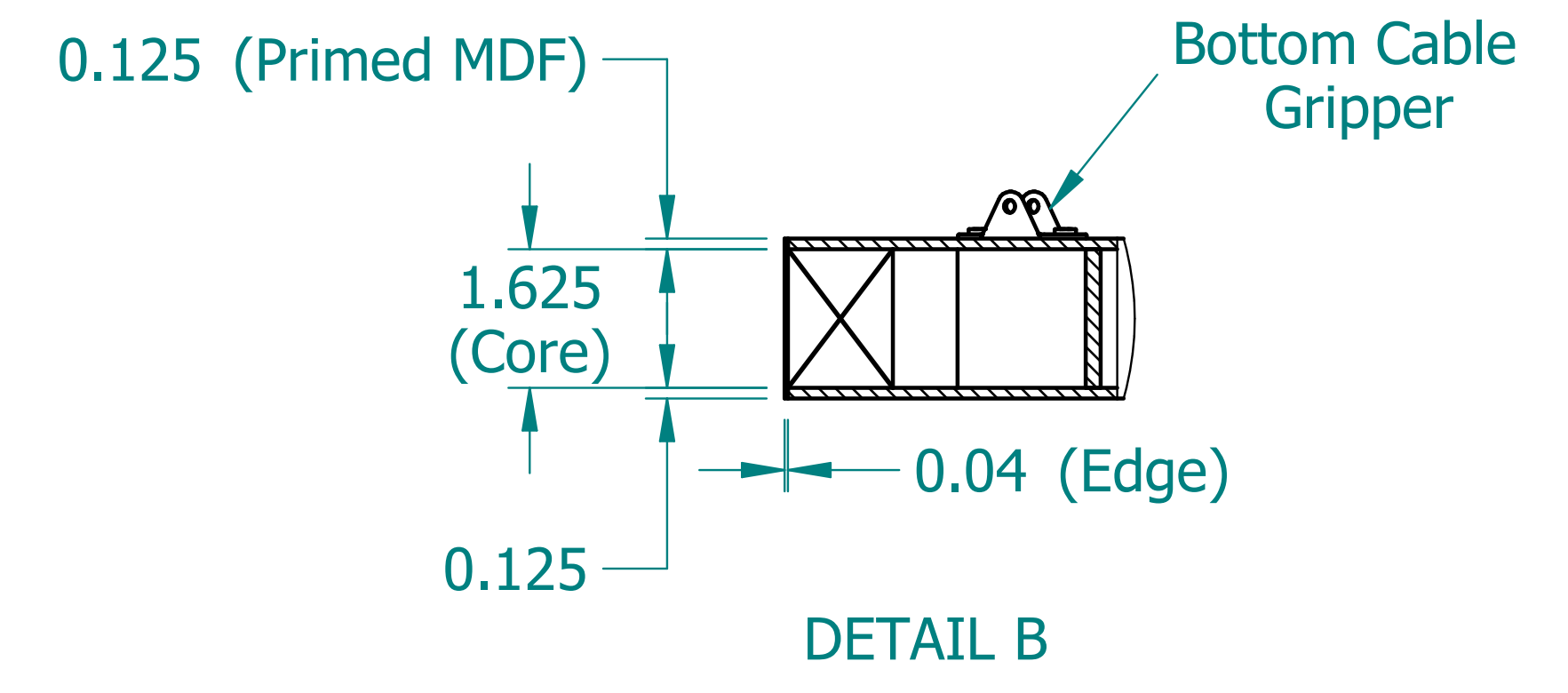
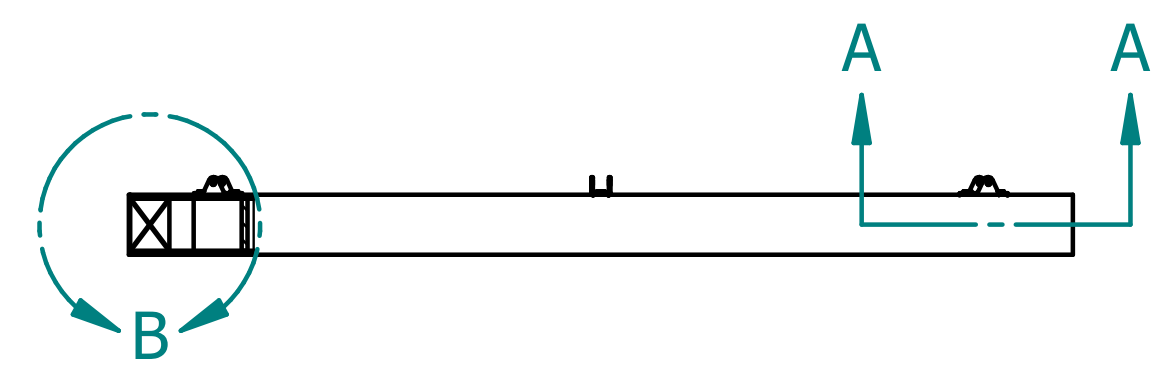
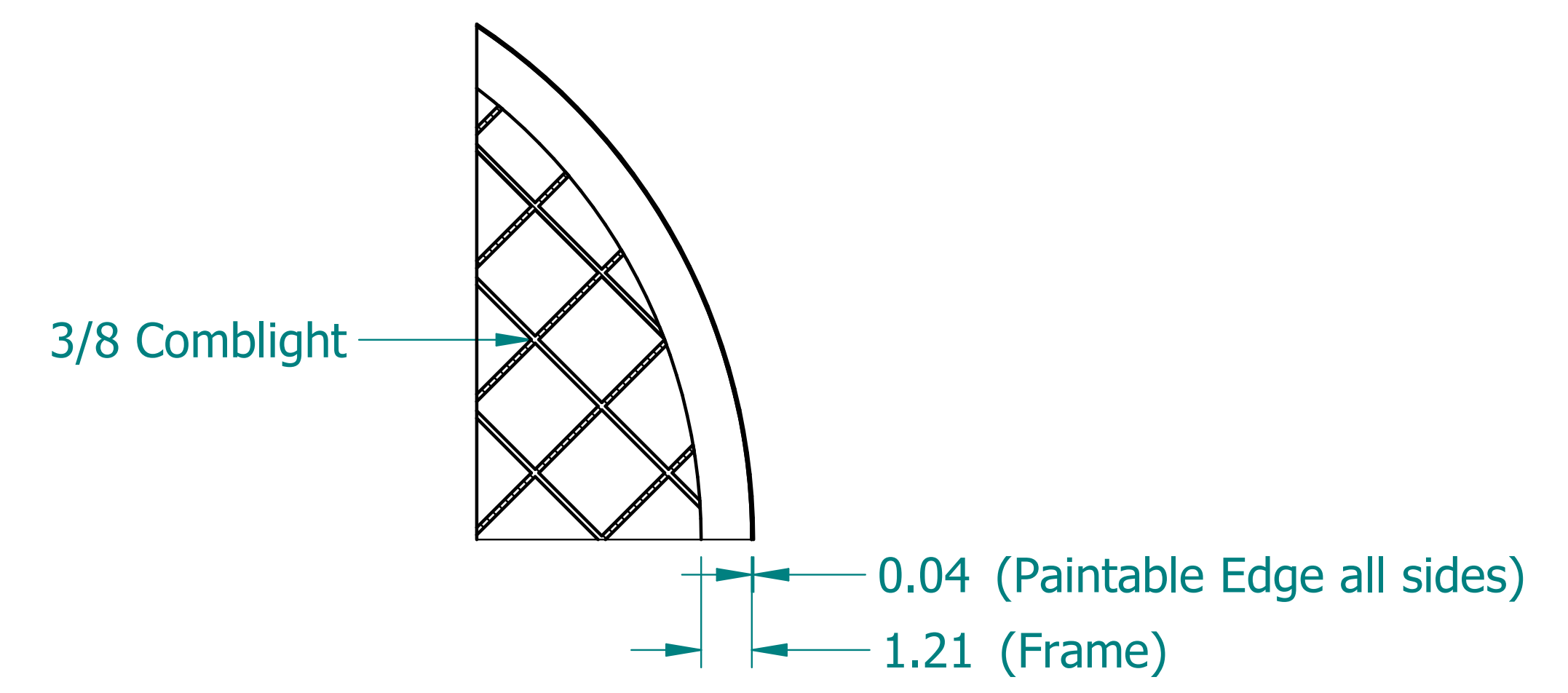


REVISION HISTORY			
REV.	DESCRIPTION	DATE	APPROVED



SECTION A-A



NAME	DATE	
DRAWN: SAI	04/27/20	
ENG APPR: ERIC	04/27/20	
		TITLE: Paintable Shape: Circle
UNLESS OTHERWISE SPECIFIED DIMENSIONS ARE IN 'INCHES'		SUBTITLE: 30"x30"x2"
ANGLES ±0.8° ; 2 PL ±0.040 ; 3 PL ±0.020		PART NO: Shape-2-02-PG REV: 1.0
		SIZE: 34"x22" SCALE: 0.17 SHEET 1 OF 1
		FILE NAME: Paintable Circle (30.30.2).dft