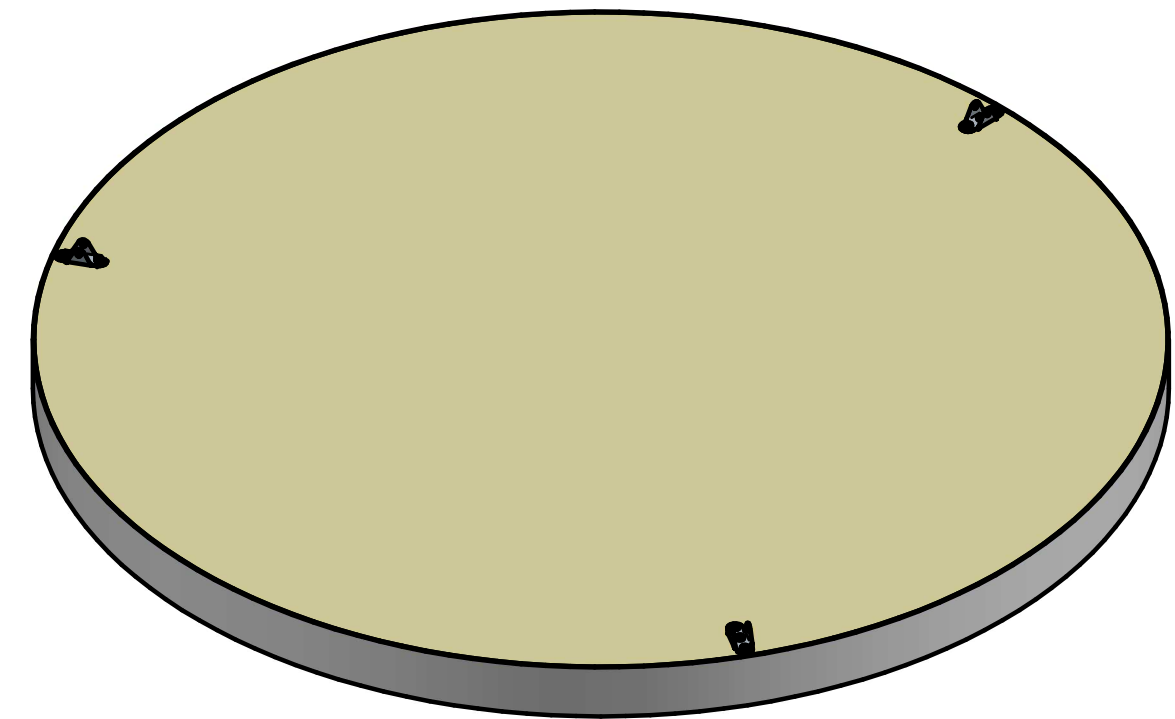
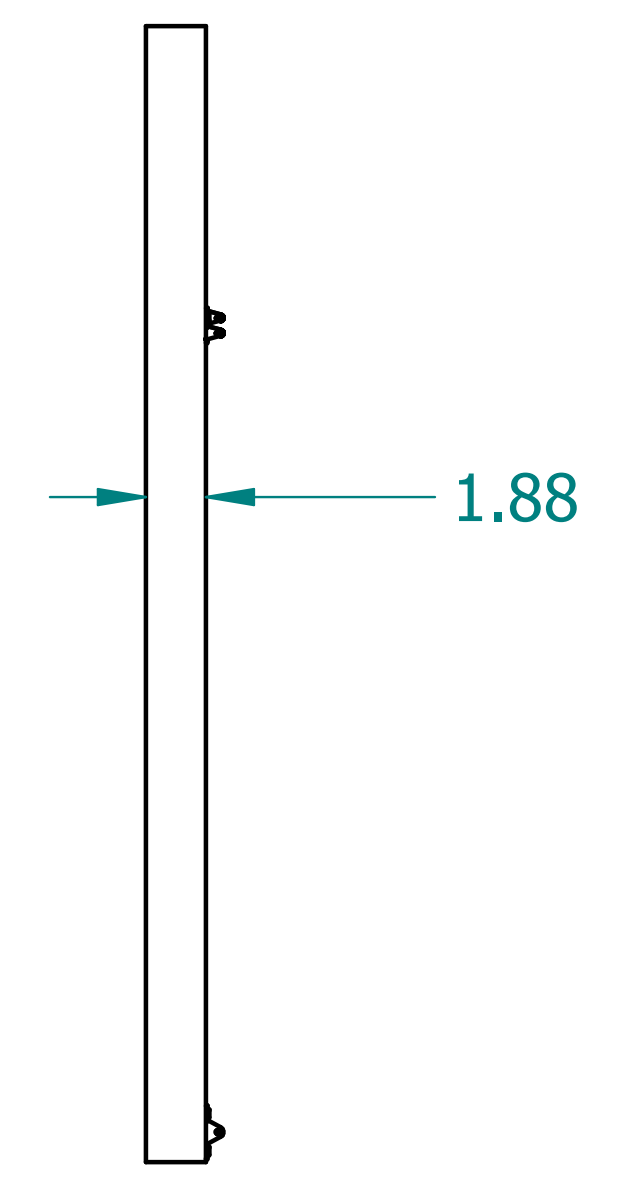
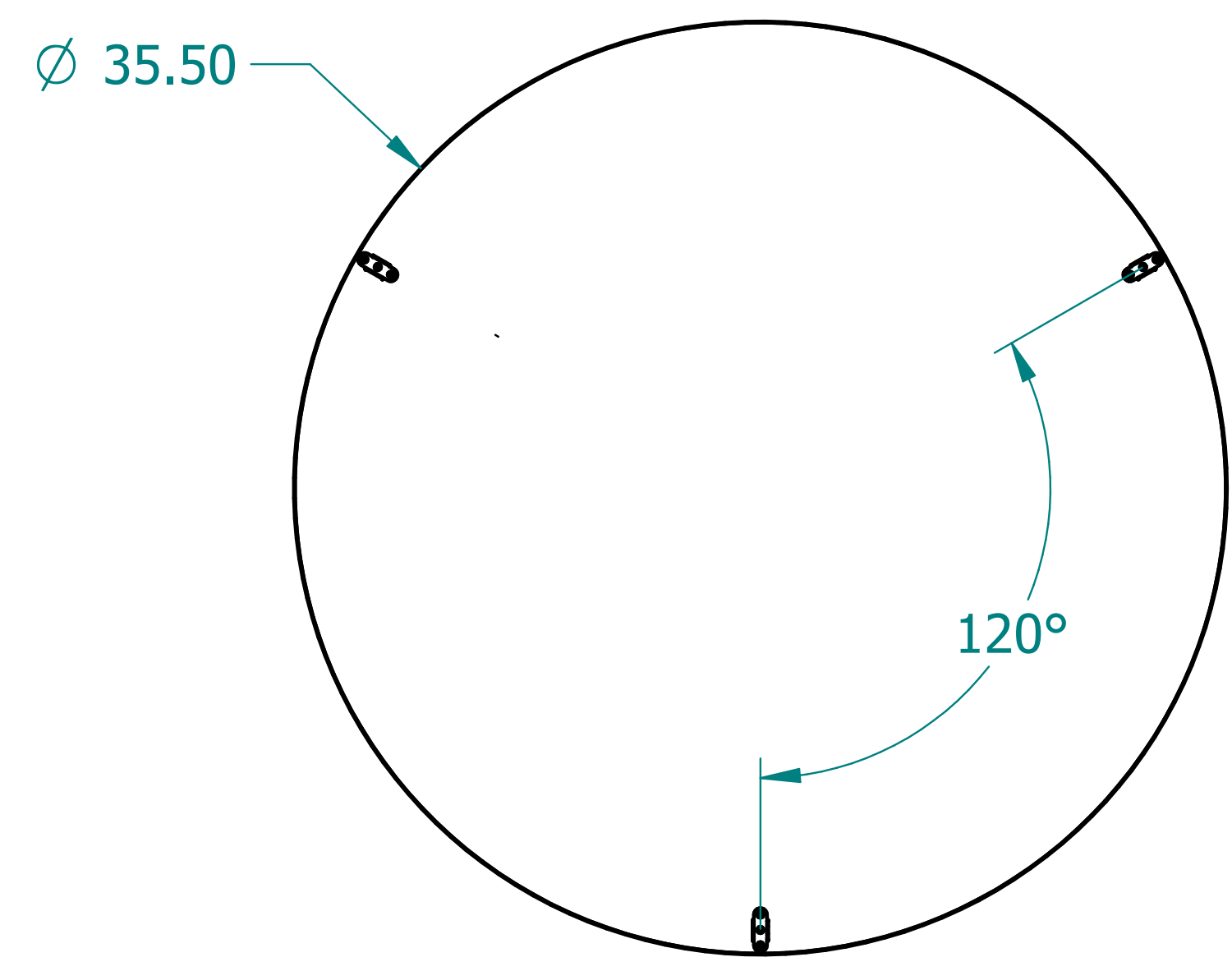
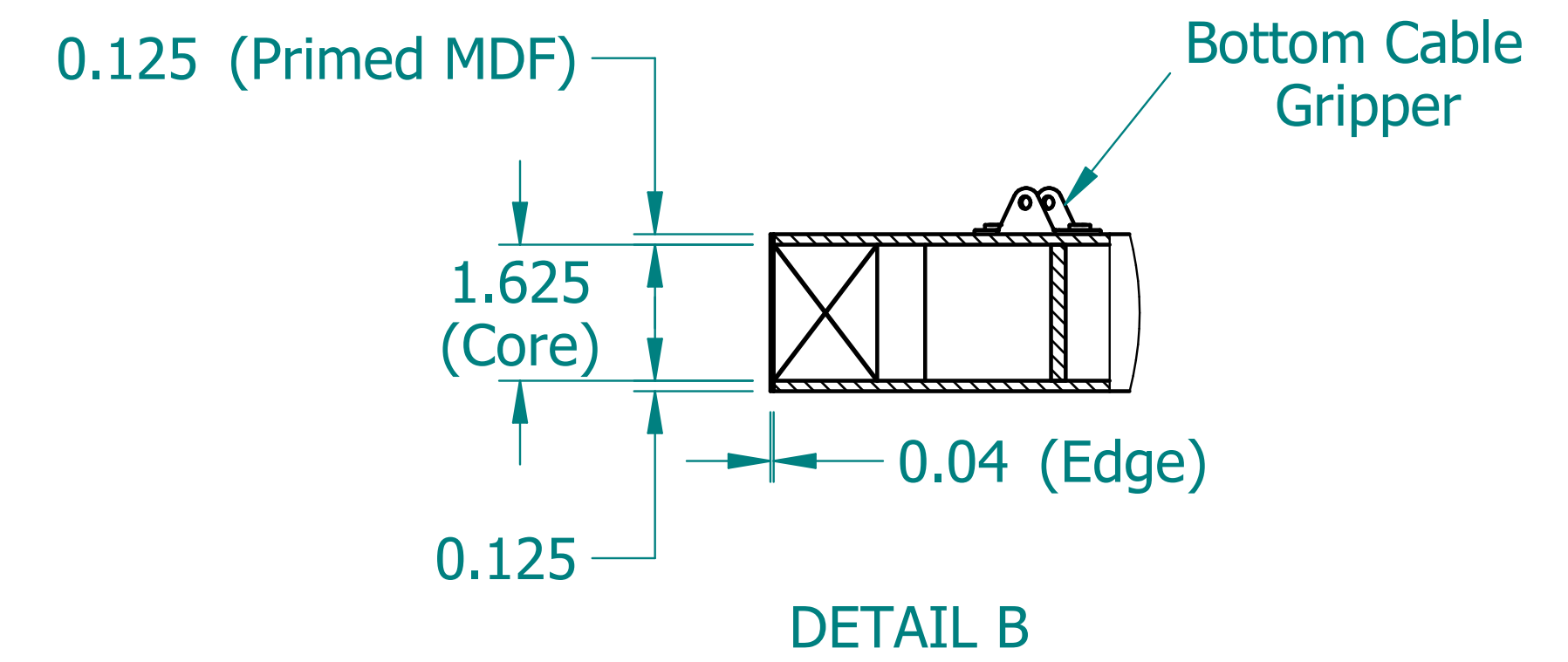
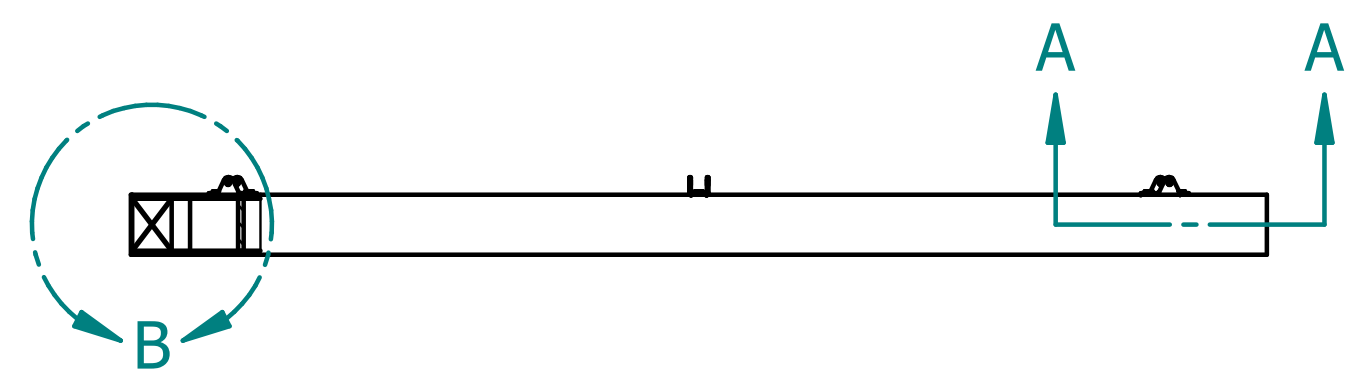
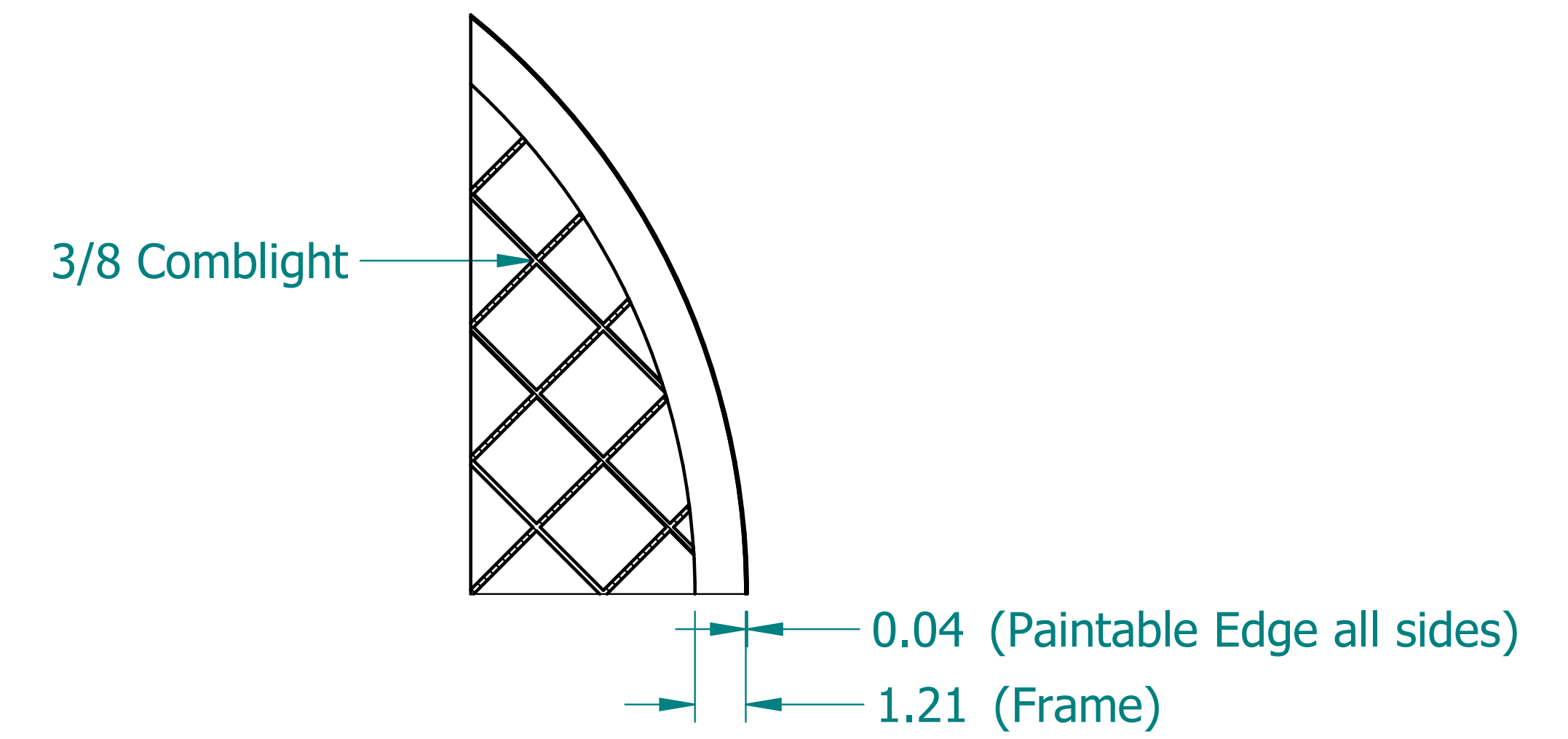

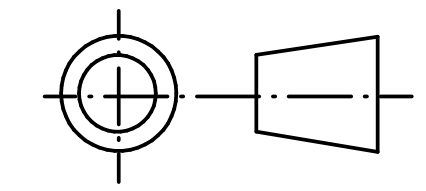


REVISION HISTORY			
REV.	DESCRIPTION	DATE	APPROVED



SECTION A-A



NAME	DATE	
DRAWN: SAI	04/27/20	
ENG APPR: ERIC	04/27/20	
		TITLE: Paintable Shape: Circle
UNLESS OTHERWISE SPECIFIED DIMENSIONS ARE IN 'INCHES' ANGLES ±0.8° ; 2 PL ±0.040 ; 3 PL ±0.020		SUBTITLE: 36"x36"x2"
		PART NO: Shape-2-03-PG
		REV: 1.0
		SIZE: 34"x22"    SCALE: 0.17    SHEET 1 OF 1
		FILE NAME: Paintable Circle (36.36.2).dft