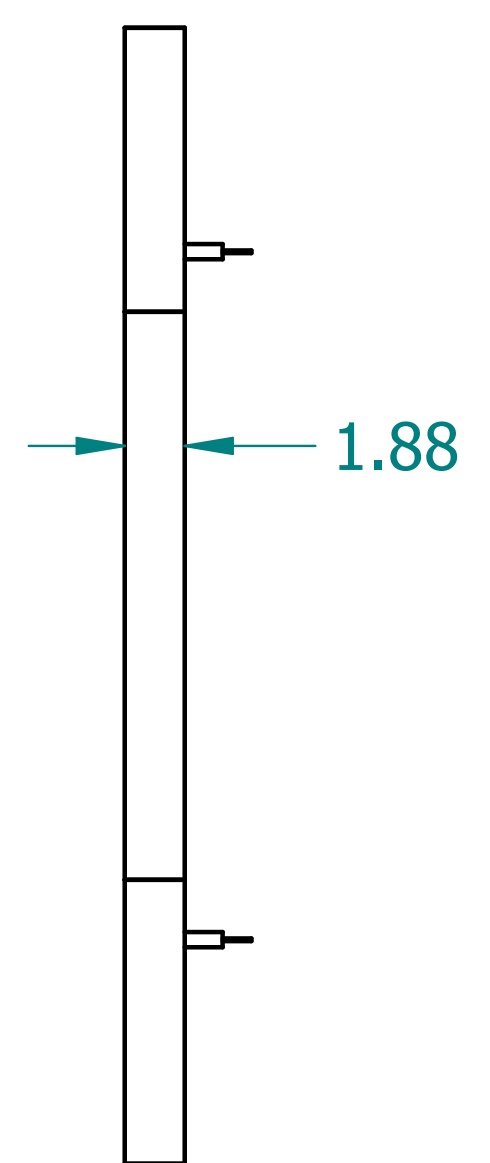
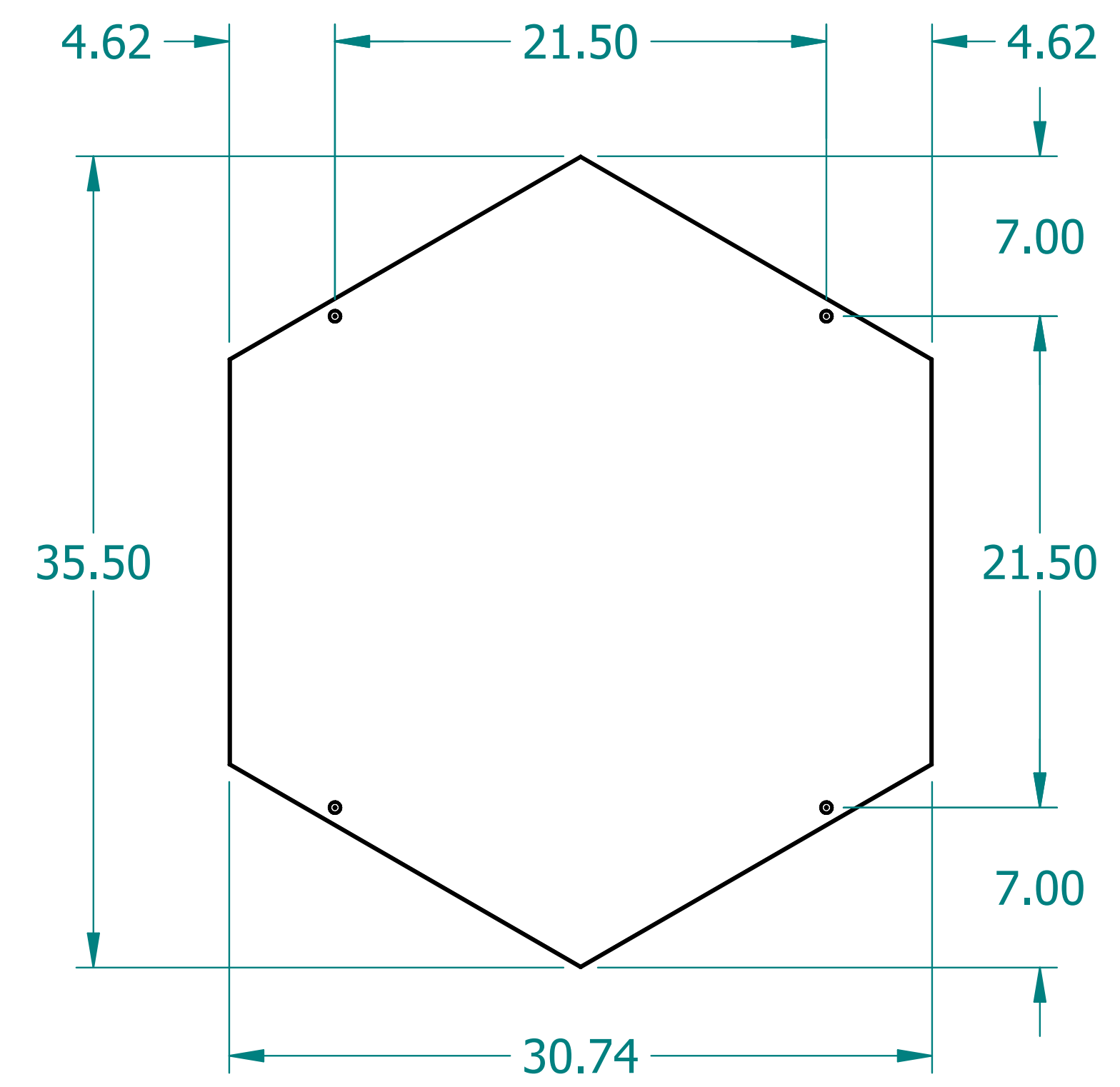
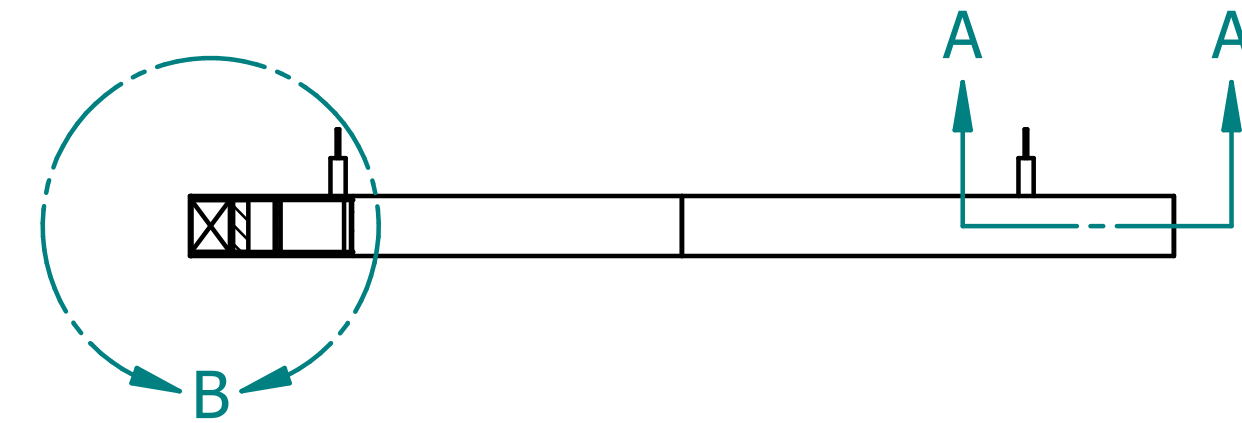
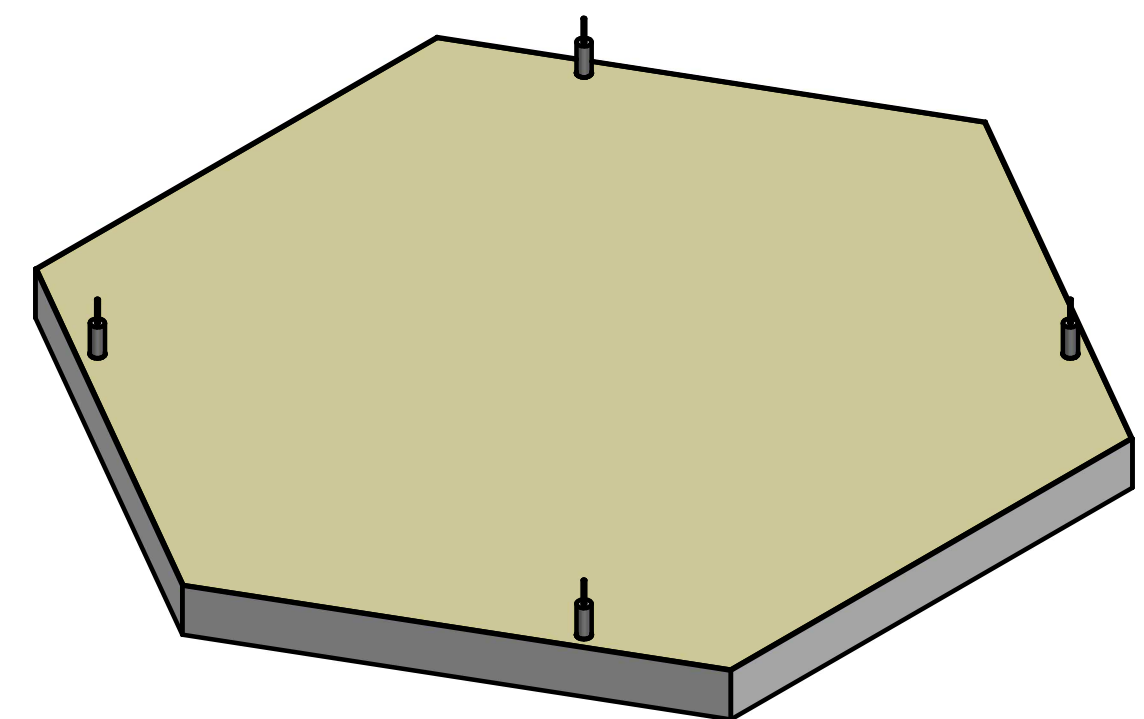
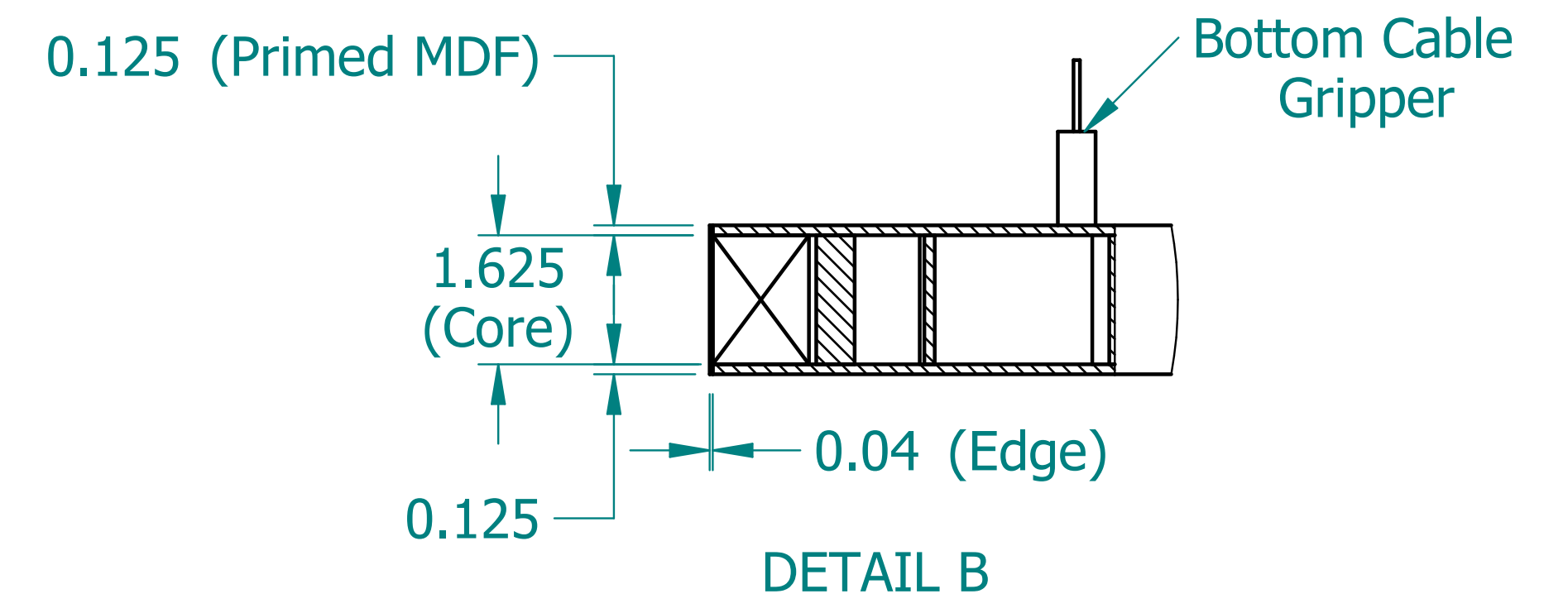
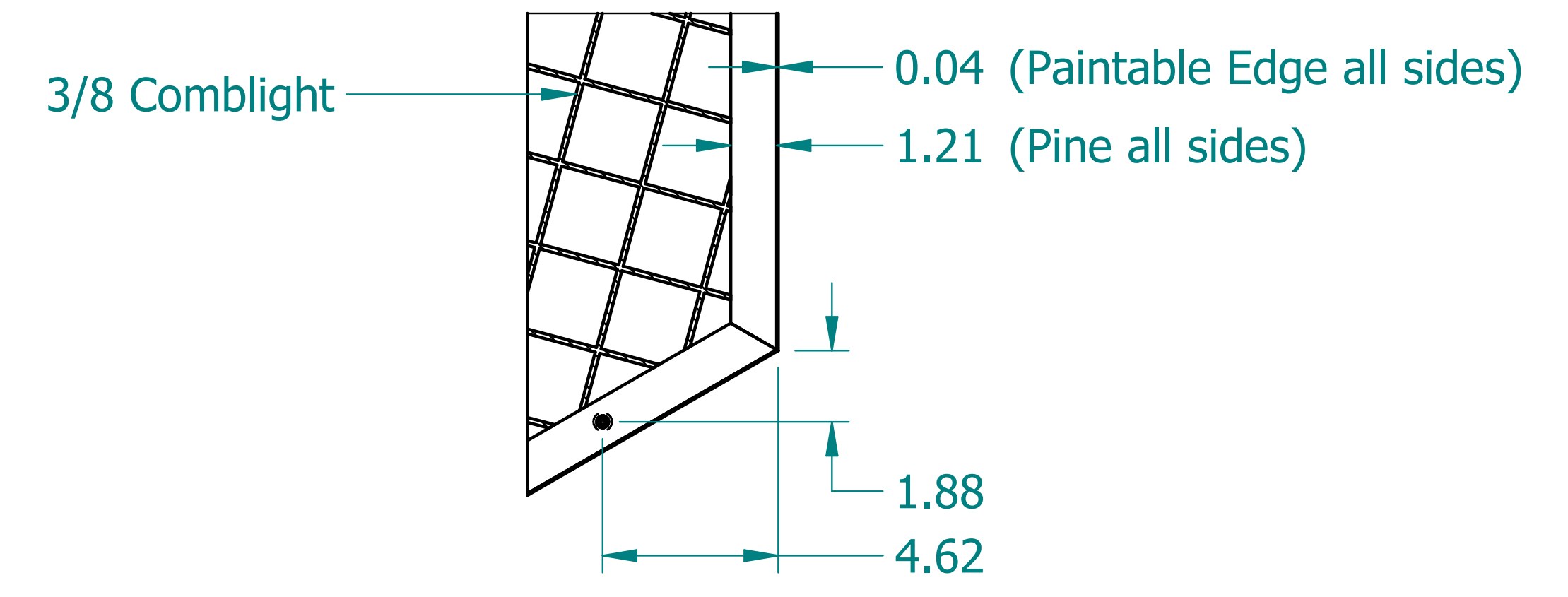

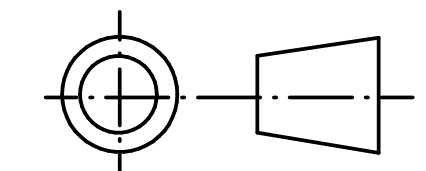


REVISION HISTORY			
REV.	DESCRIPTION	DATE	APPROVED



SECTION A-A



NAME	DATE	
DRAWN: SAI	03/03/20	
ENG APPR: ERIC	03/03/20	
 <p>UNLESS OTHERWISE SPECIFIED DIMENSIONS ARE IN 'INCHES'</p> <p>ANGLES <math>\pm 0.8^\circ</math>; 2 PL <math>\pm 0.040</math>; 3 PL <math>\pm 0.020</math></p>		<p>TITLE: Paintable Shape: Hexagon</p> <p>SUBTITLE: 36"x36"x2"</p> <p>PART NO: Shape-3-03-PG      REV: 1.0</p> <p>SIZE: 34"x22"      SCALE: 0.17      SHEET 1 OF 1</p> <p>FILE NAME: Paintable Hexagon (36.36.2).dft</p>