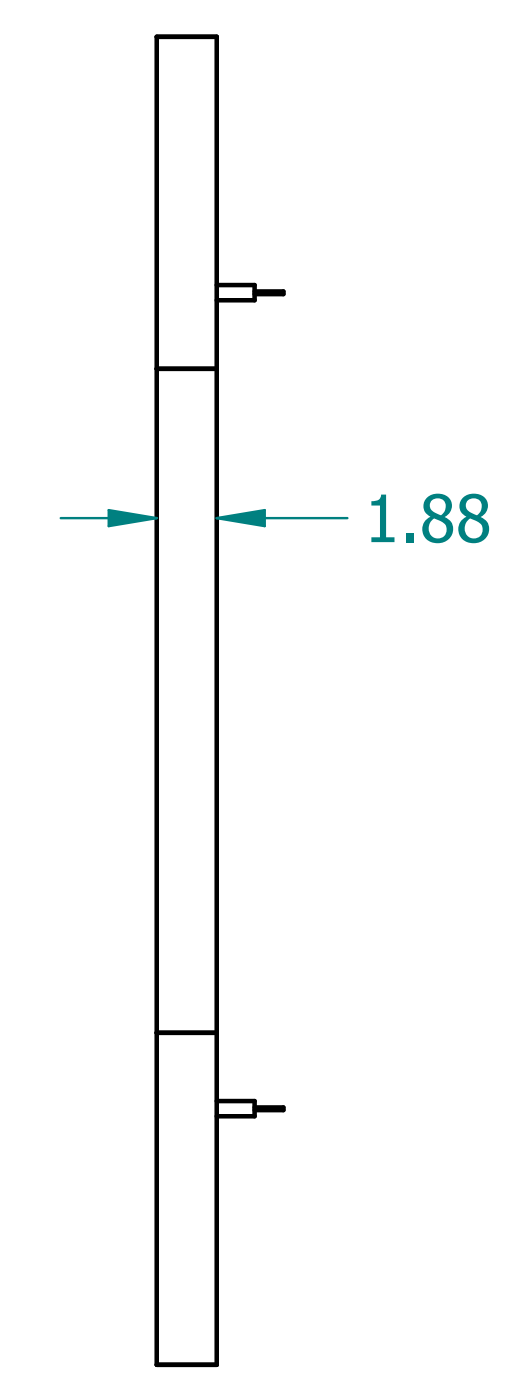
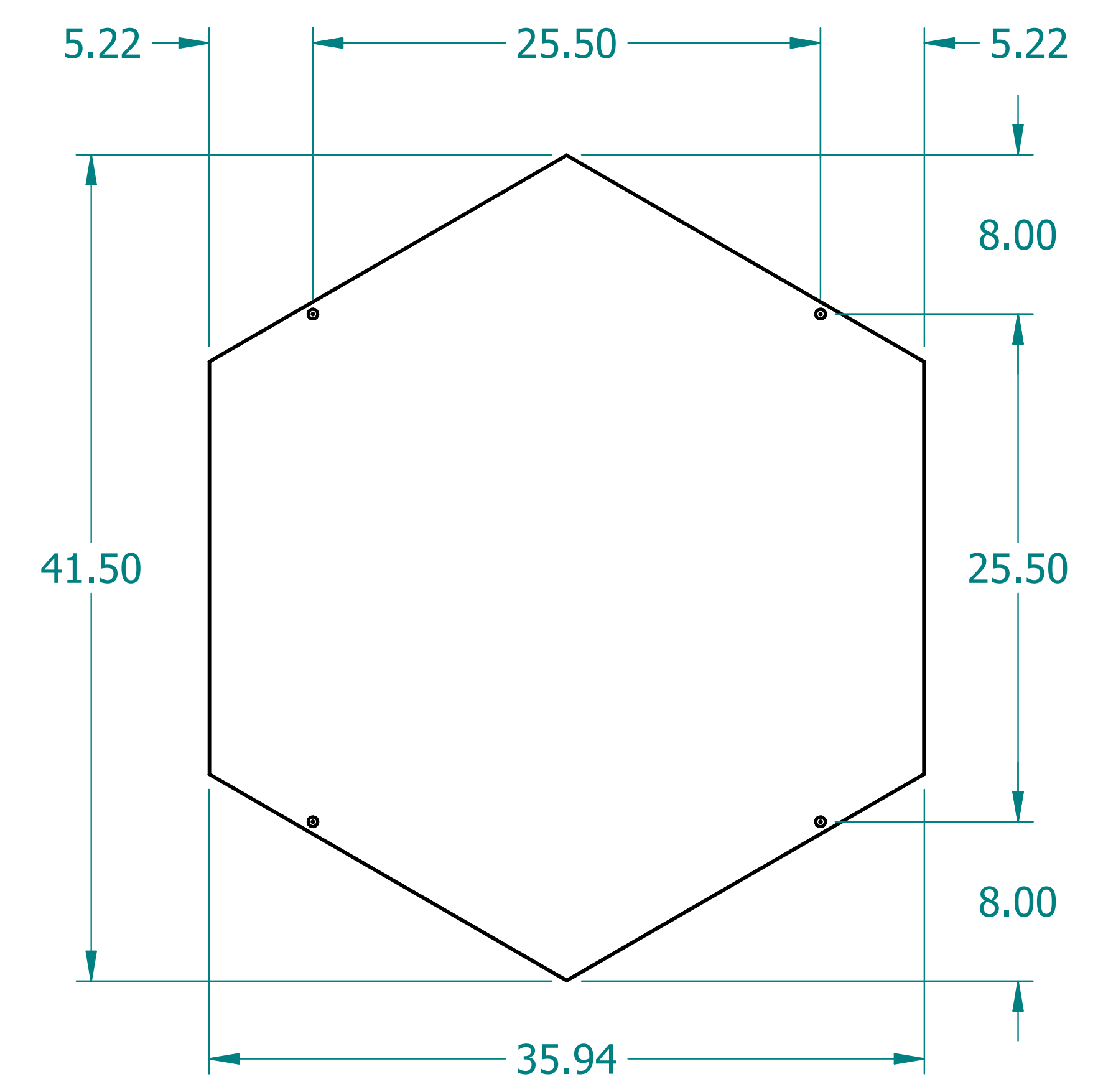
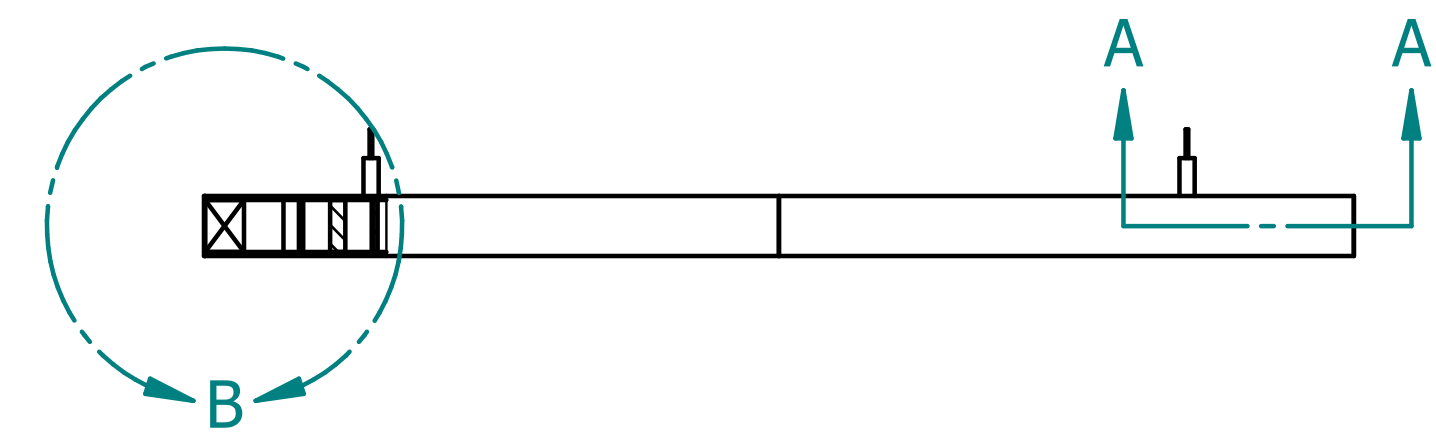
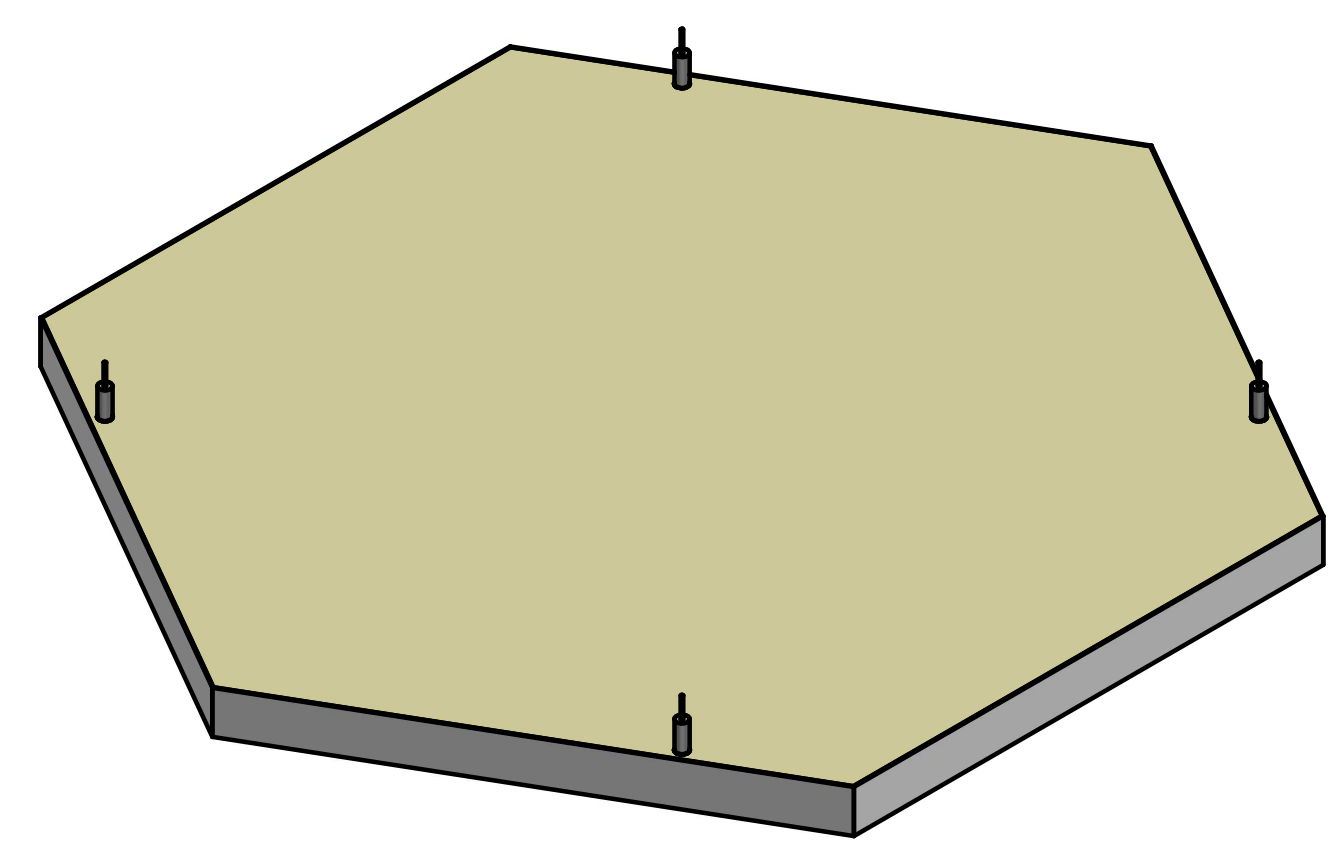
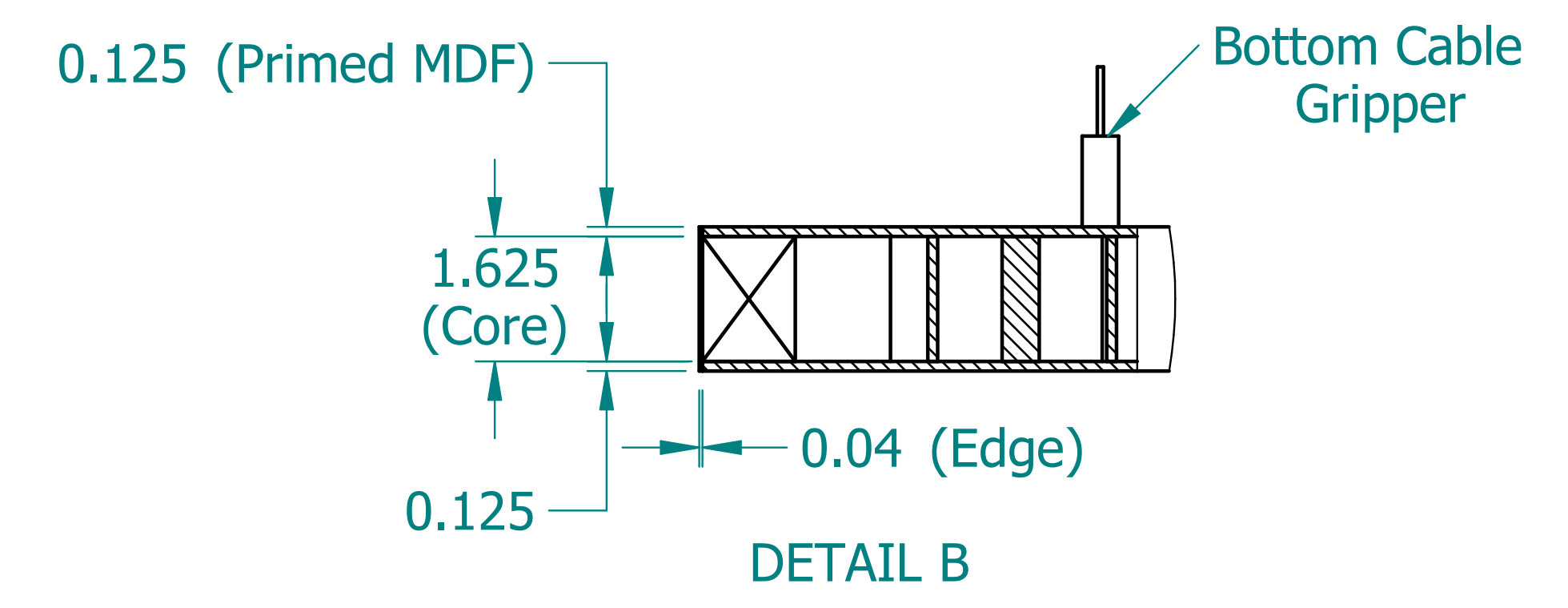
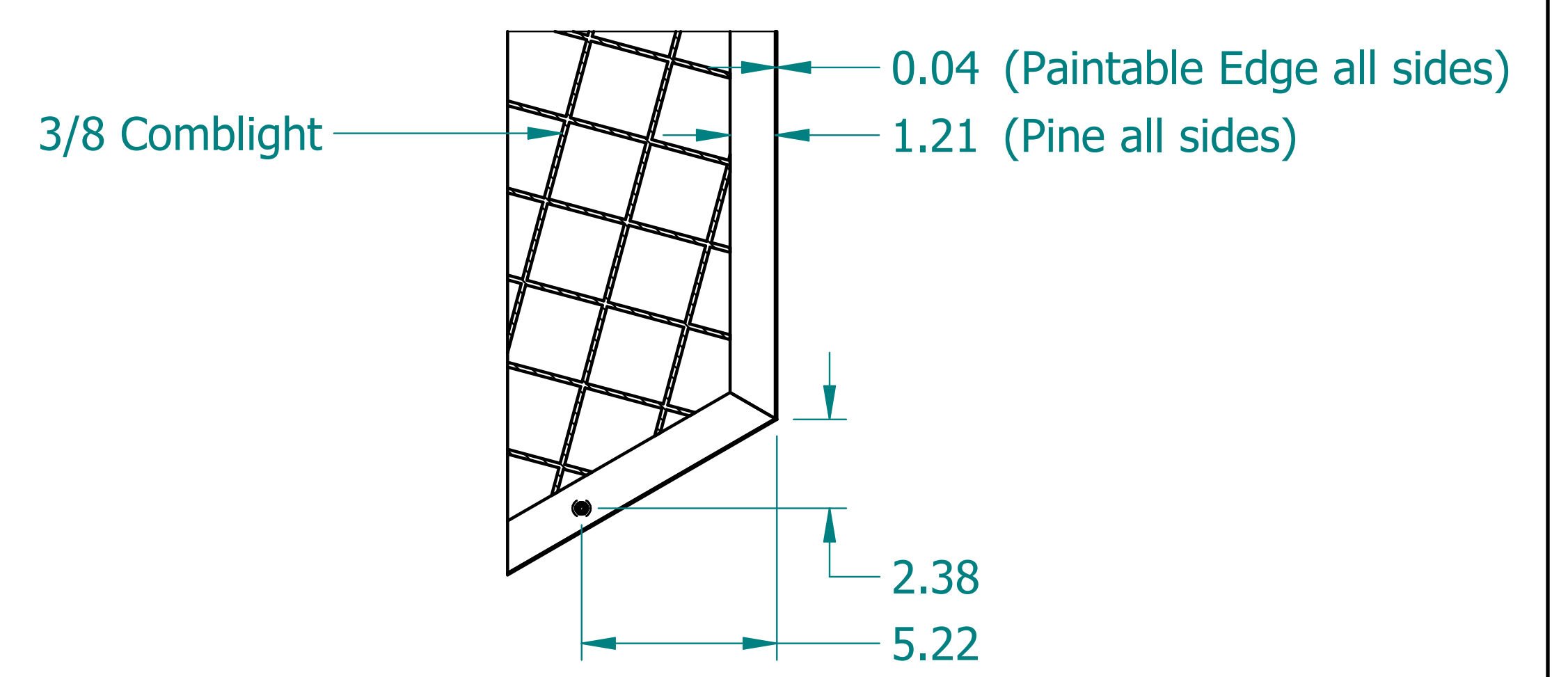


| REVISION HISTORY | | | |
|------------------|-------------|------|----------|
| REV. | DESCRIPTION | DATE | APPROVED |
| | | | |



SECTION A-A



| | | |
|---|----------|---|
| NAME | DATE | |
| DRAWN: SAI | 03/03/20 | |
| ENG APPR: ERIC | 03/03/20 | |
| <p>UNLESS OTHERWISE SPECIFIED DIMENSIONS ARE IN 'INCHES' ANGLES $\pm 0.8^\circ$; 2 PL ± 0.040; 3 PL ± 0.020</p> | | TITLE: Paintable Shape: Hexagon SUBTITLE: 42"x42"x2" PART NO: Shape-3-04-PG REV: 1.0 SIZE: 34"x22" SCALE: 0.17 SHEET 1 OF 1 FILE NAME: Paintable Hexagon (42.42.2).dft |