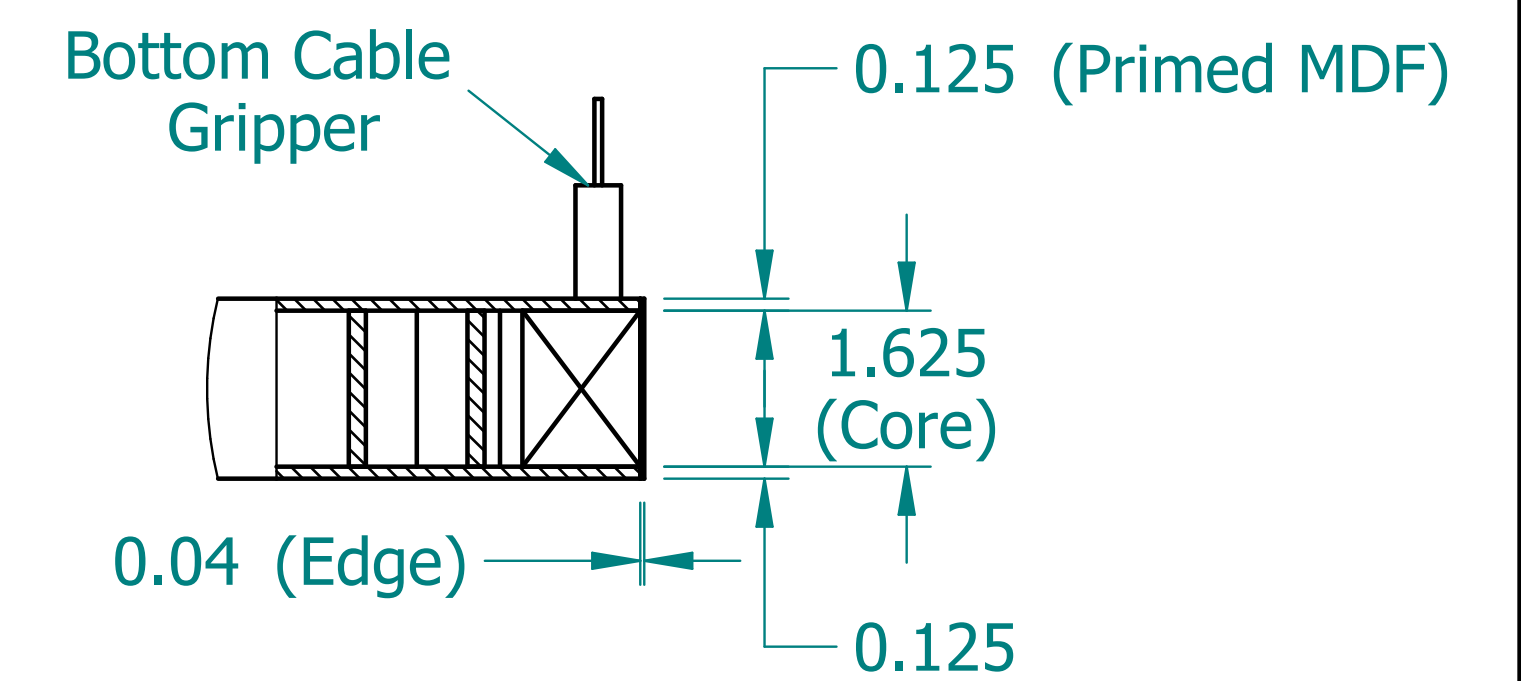
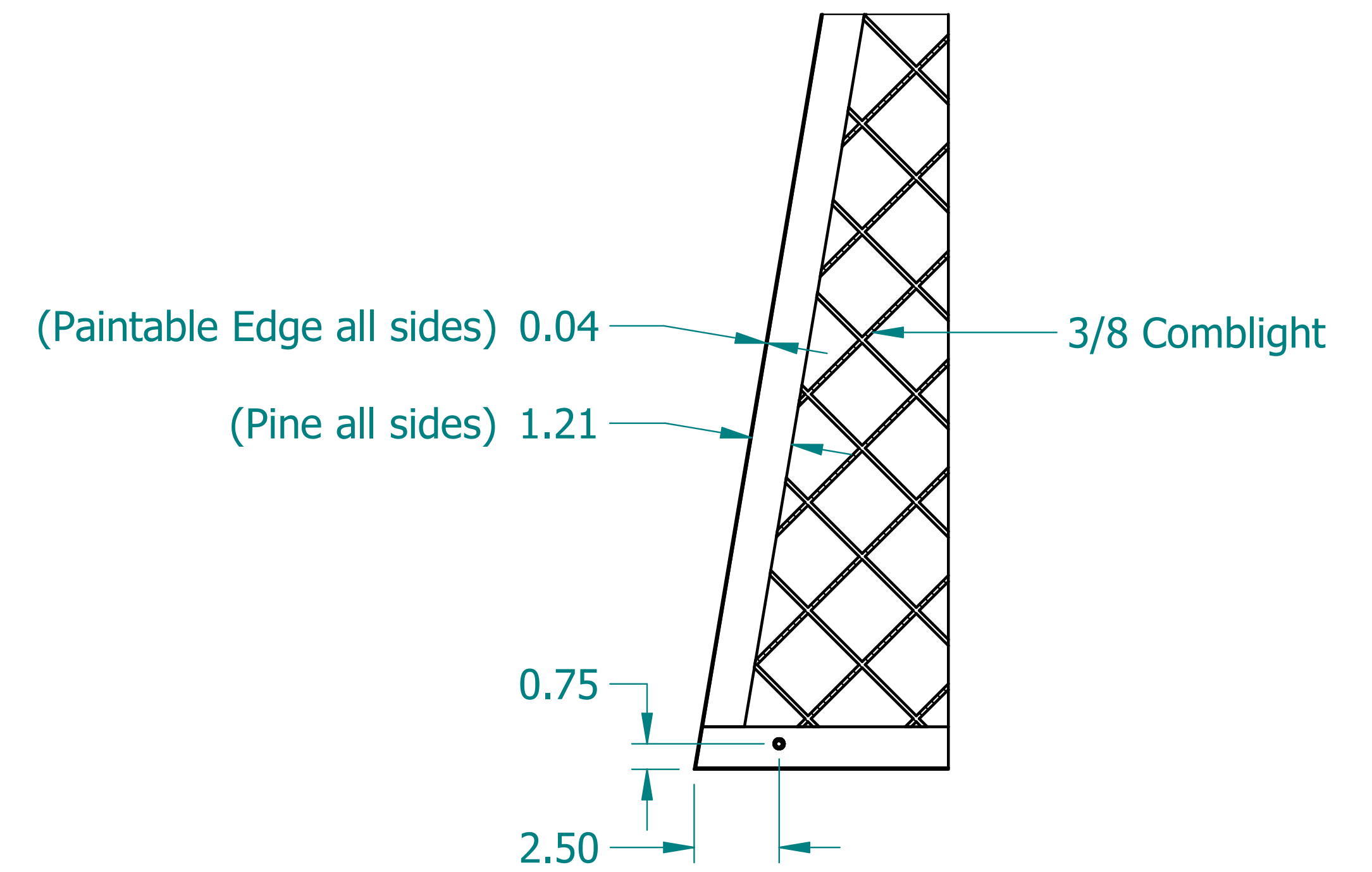


REVISION HISTORY			
REV.	DESCRIPTION	DATE	APPROVED

SECTION A-A



DETAIL B

NAME	DATE	ALTISPACE	
DRAWN: SAI	05/01/20		
ENG APPR: ERIC	05/01/20		
<p>UNLESS OTHERWISE SPECIFIED DIMENSIONS ARE IN 'INCHES'</p> <p>ANGLES ±0.8° ; 2 PL ±0.040 ; 3 PL ±0.020</p>		<p>TITLE: Paintable Shape: Trapezoid</p> <p>SUBTITLE: 48"x48"x2"</p>	
PART NO: Shape-4-05-PG		REV: 1.0	
SIZE: 34"x22"	SCALE: 0.15	SHEET 1 OF 1	
FILE NAME: Paintable Trapezoid (48.48.2).dft			