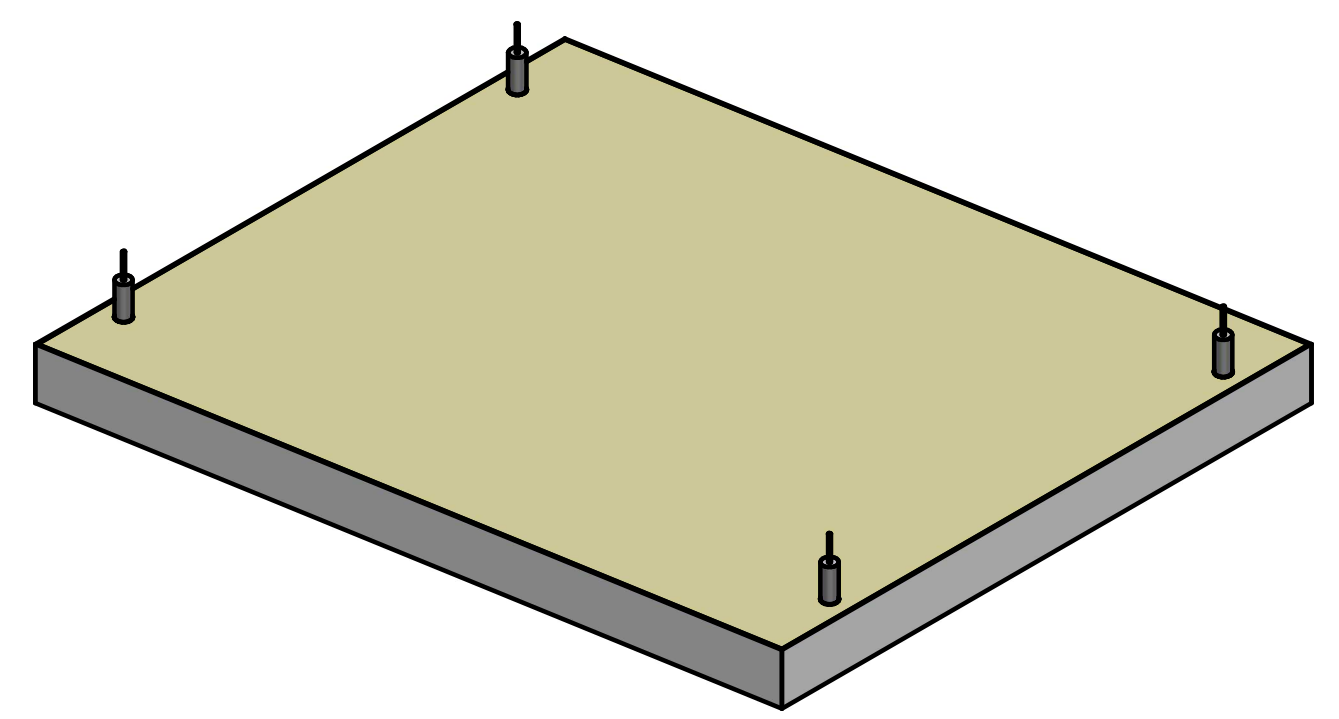
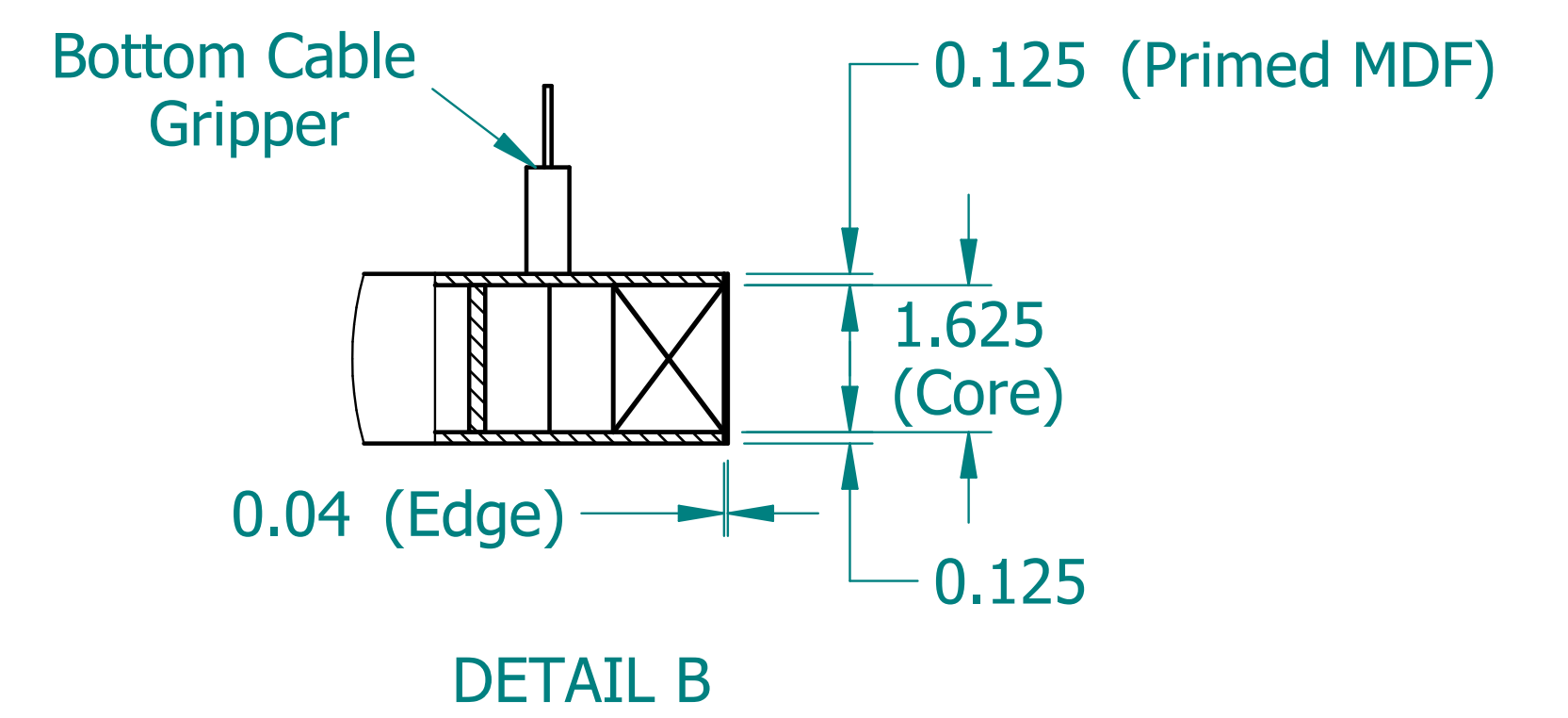
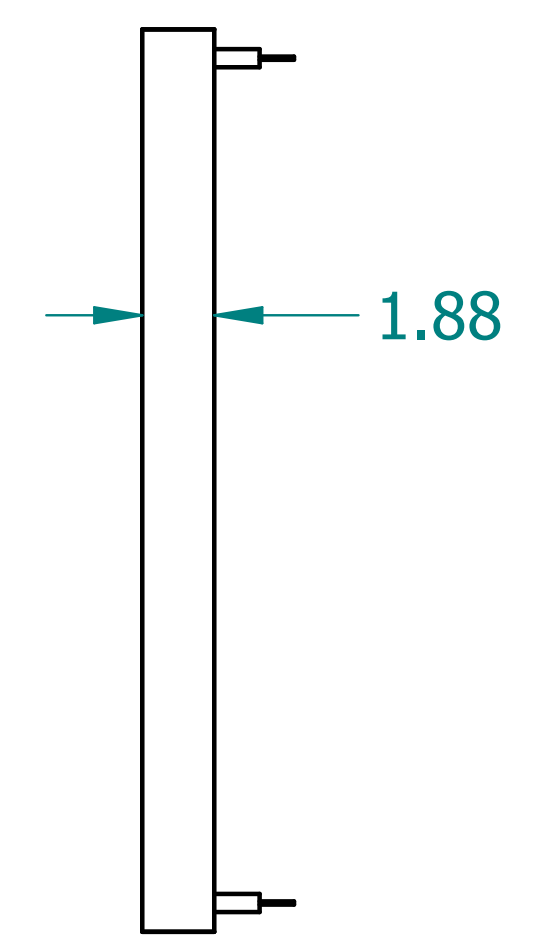
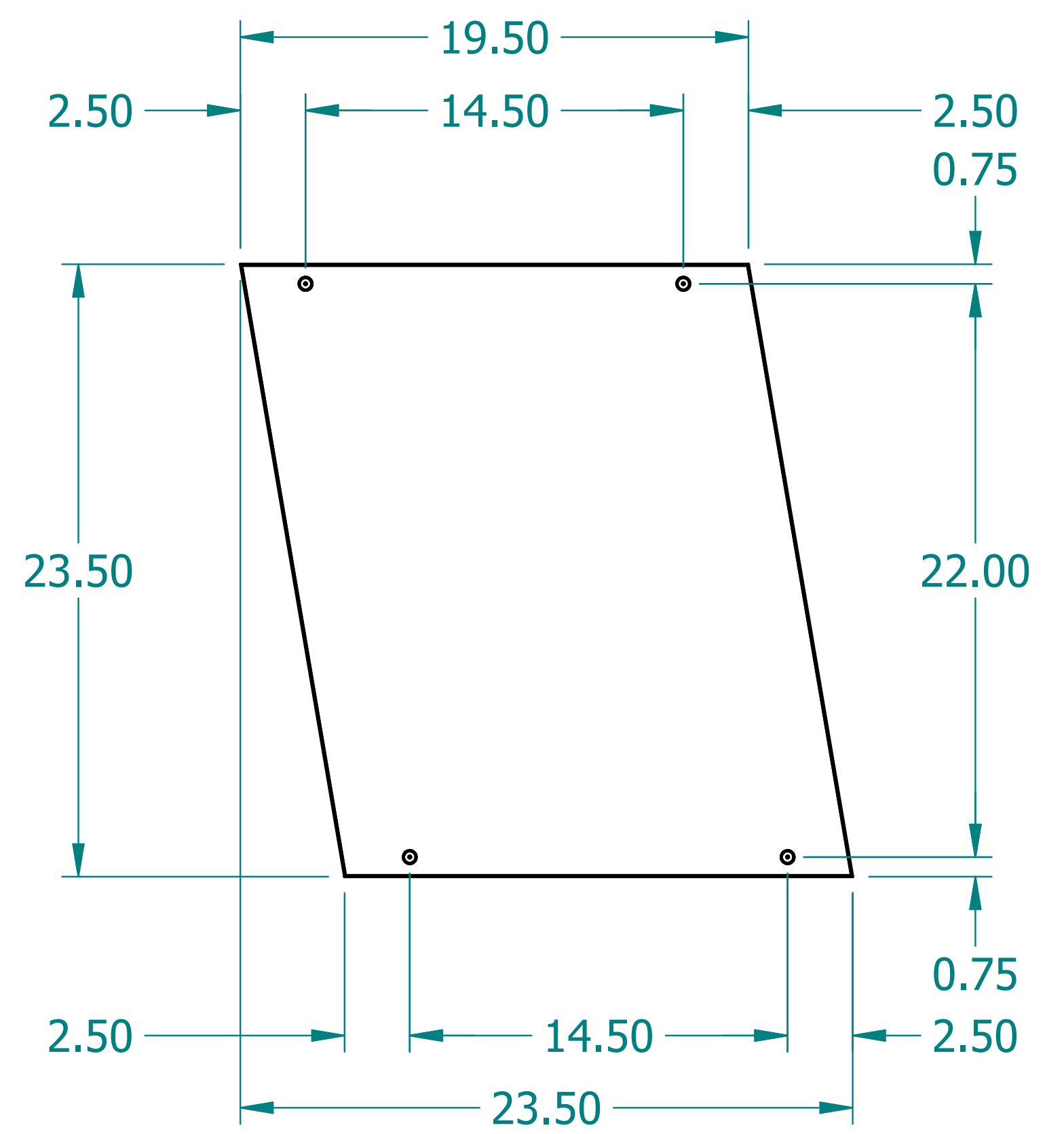
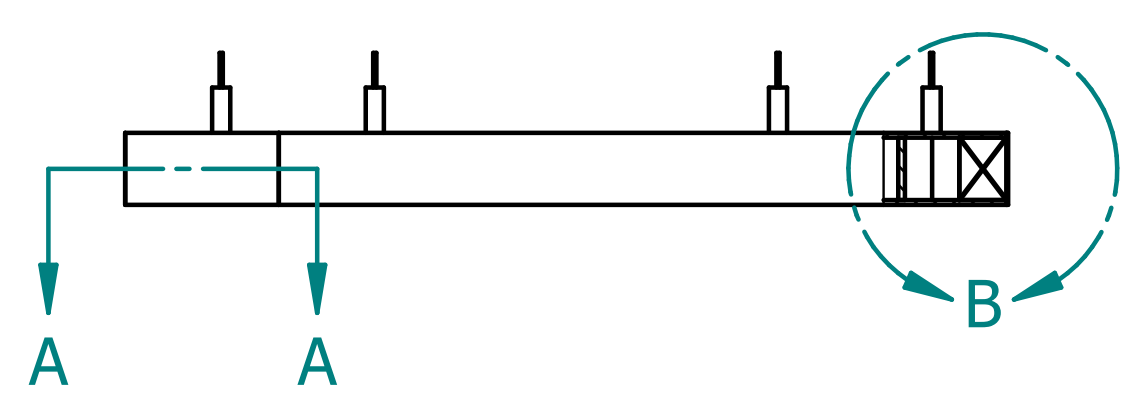
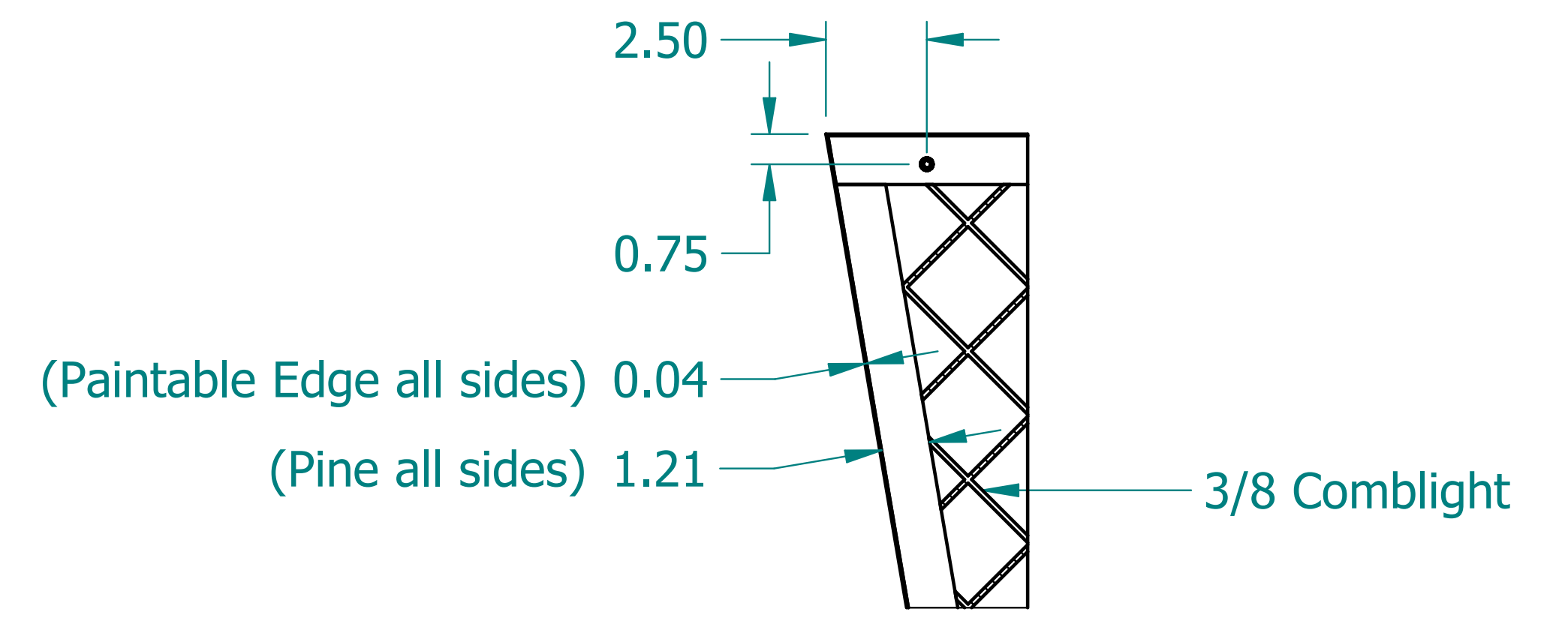


REVISION HISTORY			
REV.	DESCRIPTION	DATE	APPROVED



SECTION A-A



DETAIL B

NAME	DATE	ALTISPACE		
DRAWN: SAI	05/05/20			
ENG APPR: ERIC	05/05/20			
<p>UNLESS OTHERWISE SPECIFIED DIMENSIONS ARE IN 'INCHES' ANGLES $\pm 0.8^\circ$; 2 PL ± 0.040; 3 PL ± 0.020</p>		TITLE: Paintable Shape: Left Parallelogram		
		SUBTITLE: 24"x24"x2		
		PART NO: Shape-5-01-PG	REV: 1.0	
		SIZE: 34"x22"	SCALE: 0.20	SHEET 1 OF 1
		FILE NAME: Left Parallelogram (24.24.2).dft		