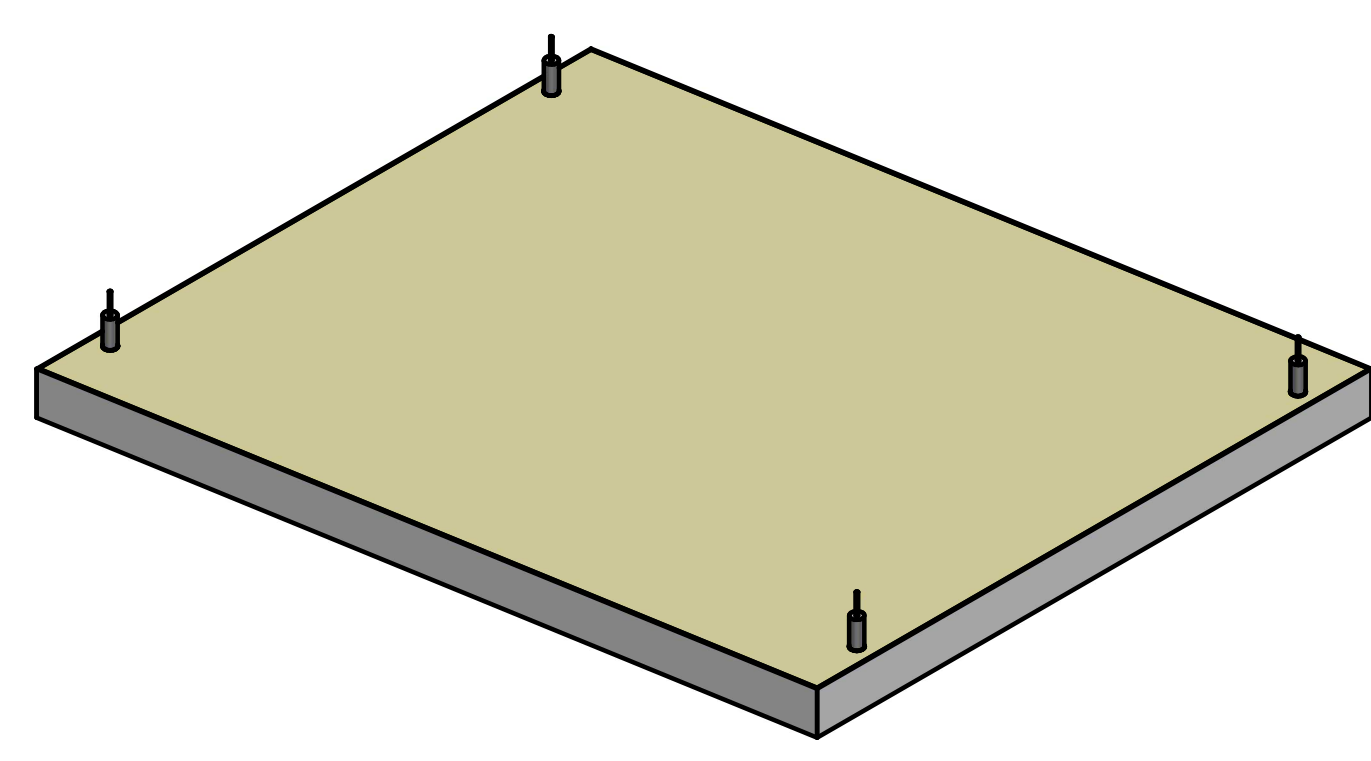
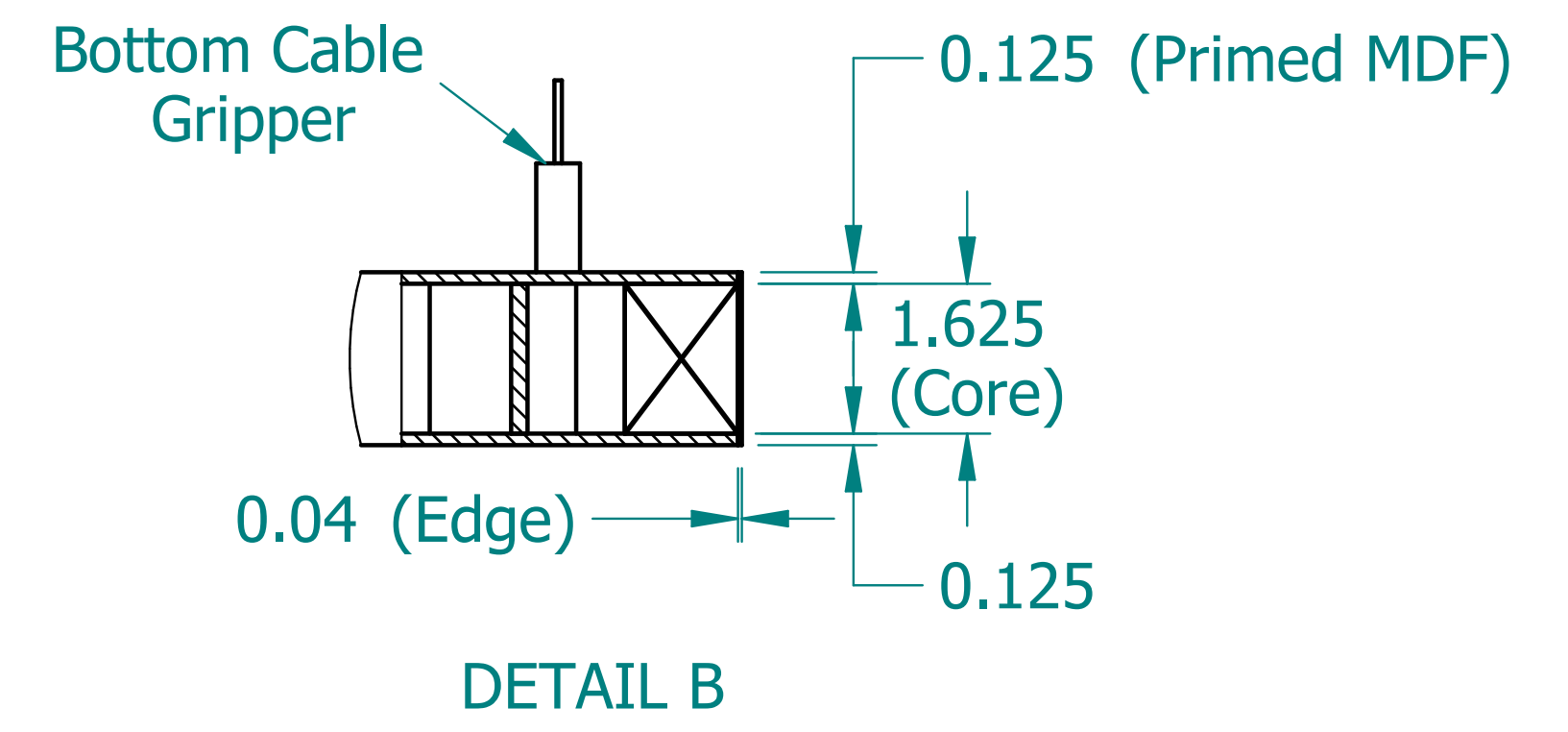
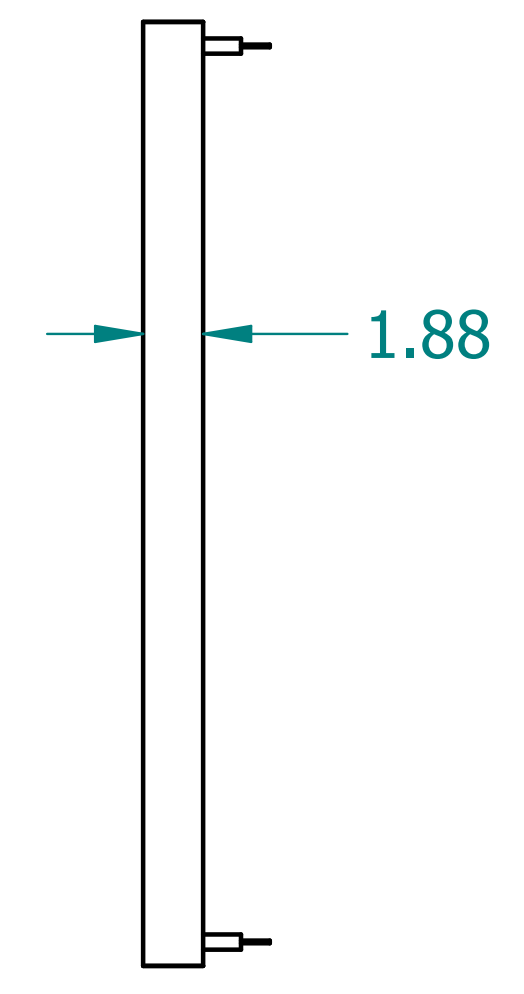
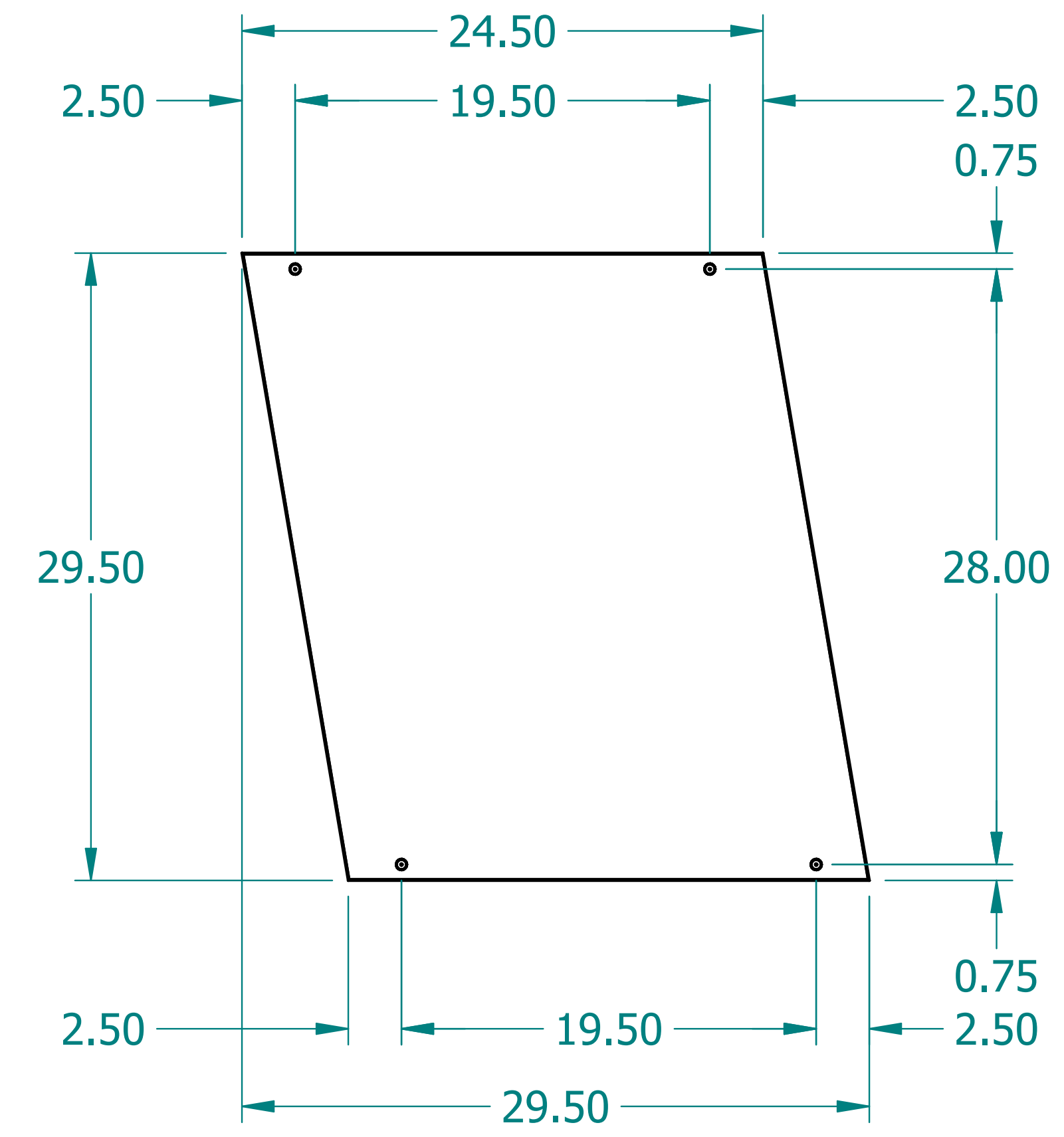
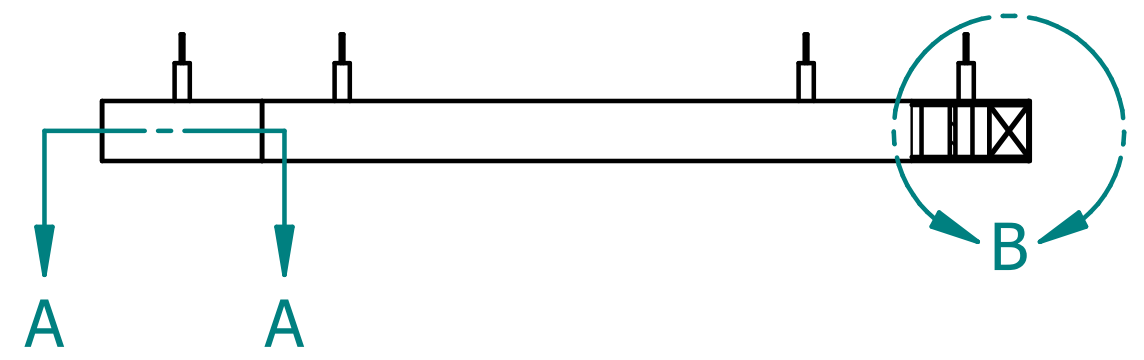
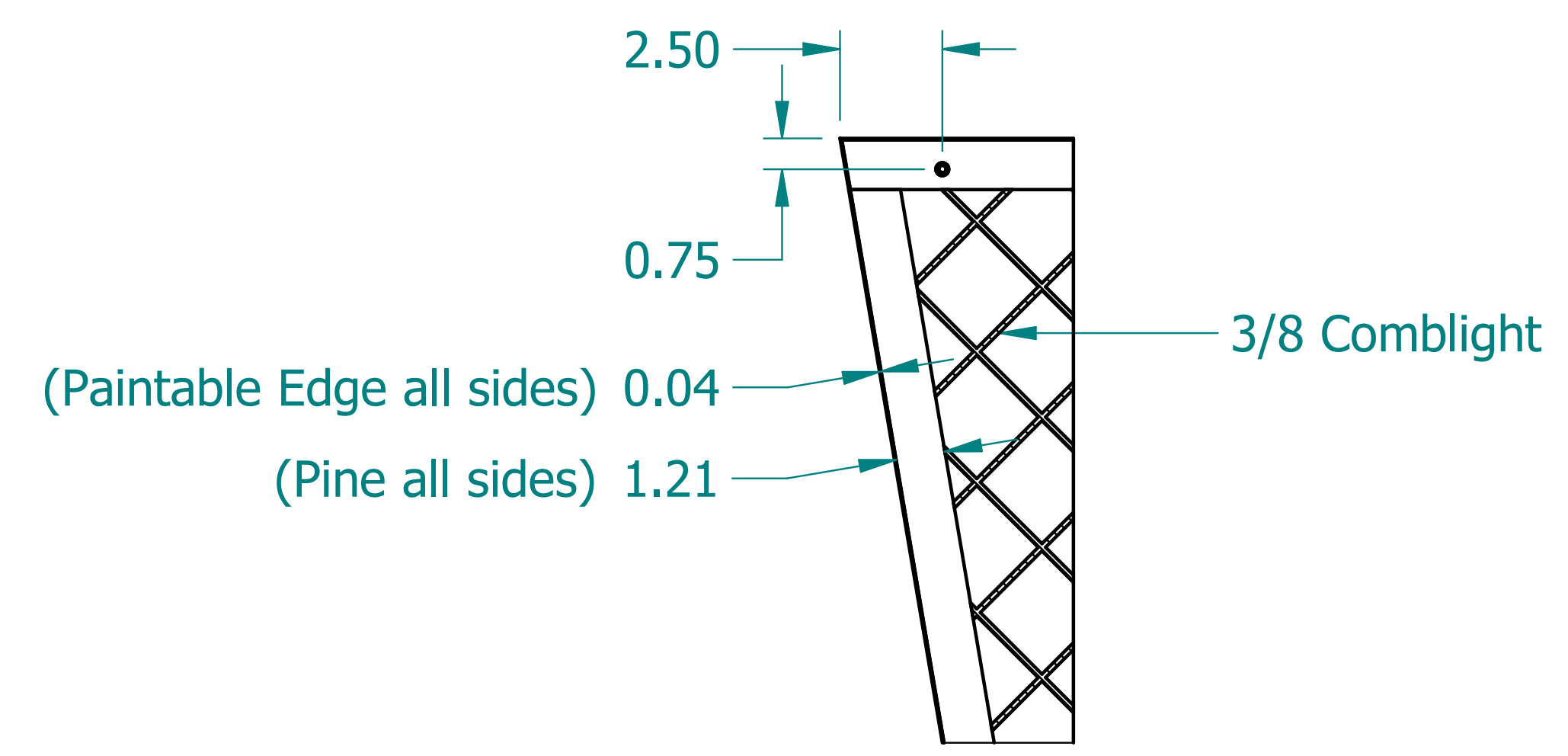


REVISION HISTORY			
REV.	DESCRIPTION	DATE	APPROVED



SECTION A-A



	NAME	DATE
DRAWN	SAI	05/05/20
ENG APPR	ERIC	05/05/20



UNLESS OTHERWISE SPECIFIED DIMENSIONS ARE IN 'INCHES'
 ANGLES ±0.8° ; 2 PL ±0.040 ;
 3 PL ±0.020

TITLE Paintable Shape: Left Parallelogram		
SUBTITLE 30"x30"x2		
PART NO: Shape-5-02-PG	REV. 1.0	
SIZE: 34"x22"	SCALE: 0.17	SHEET 1 OF 1
FILE NAME: Left Parallelogram (30.30.2).dft		