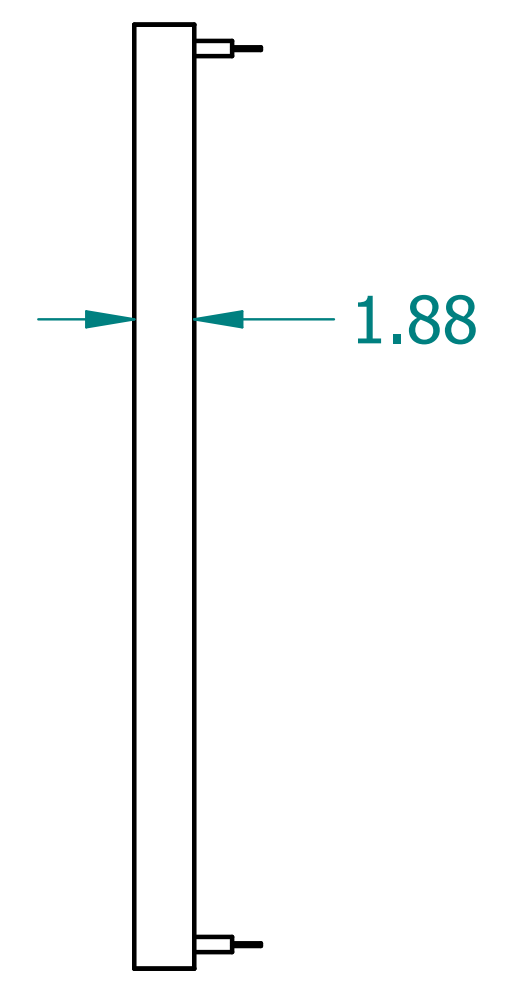
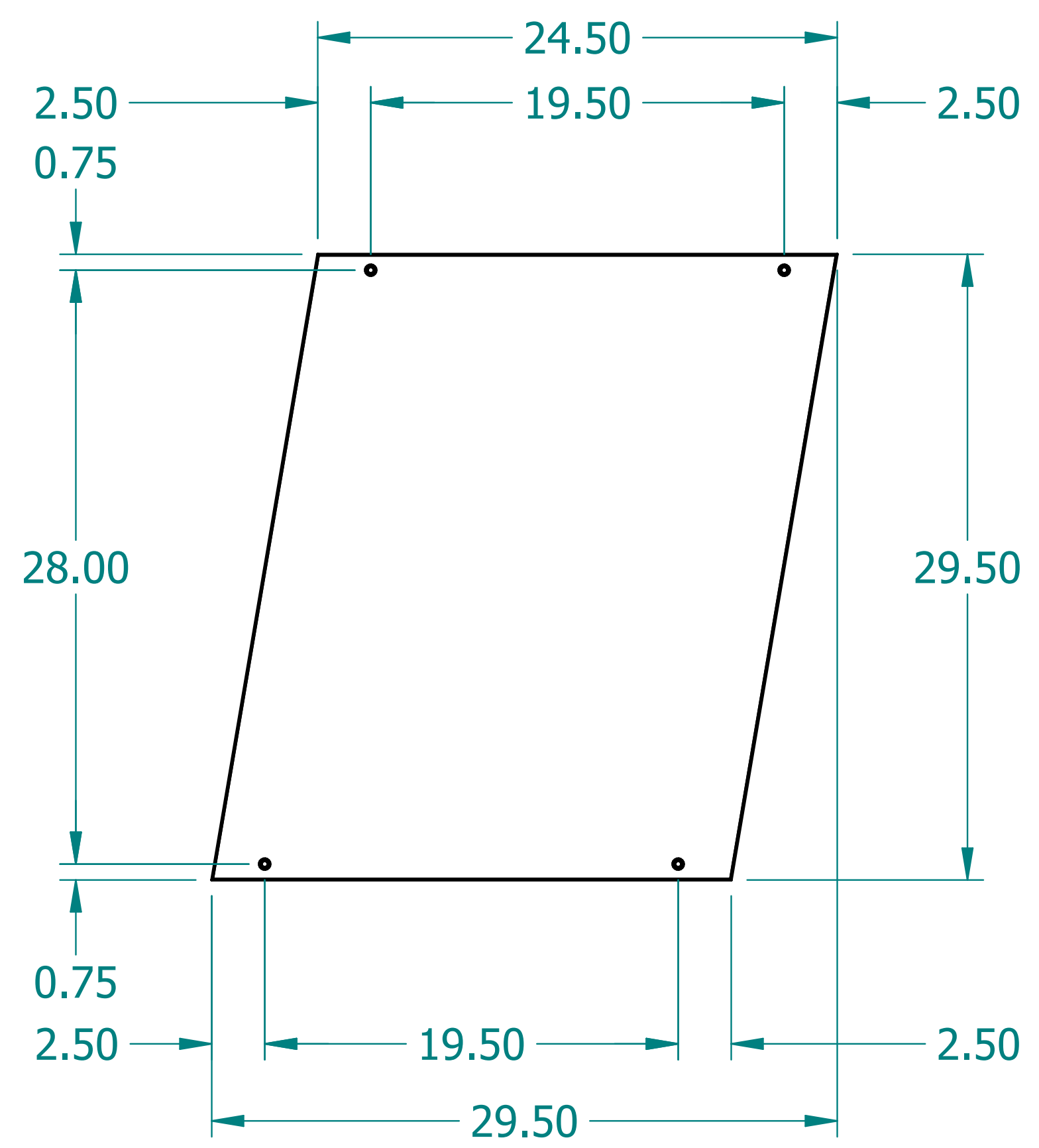
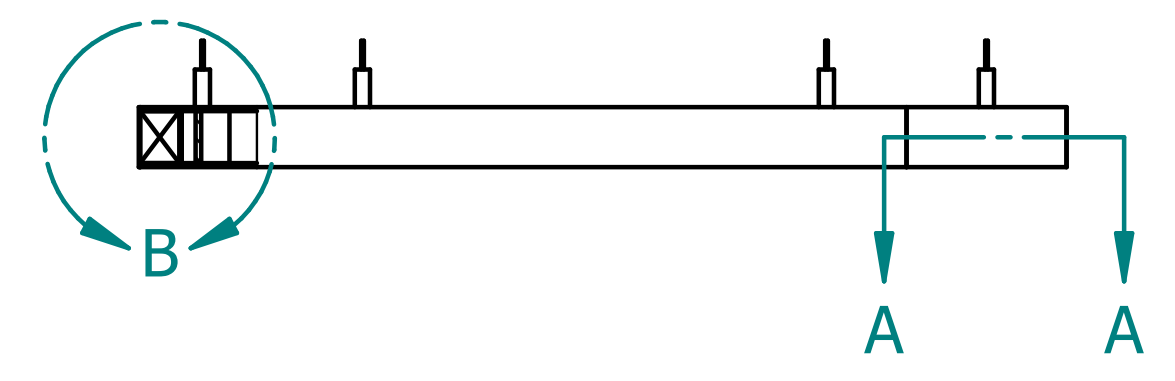
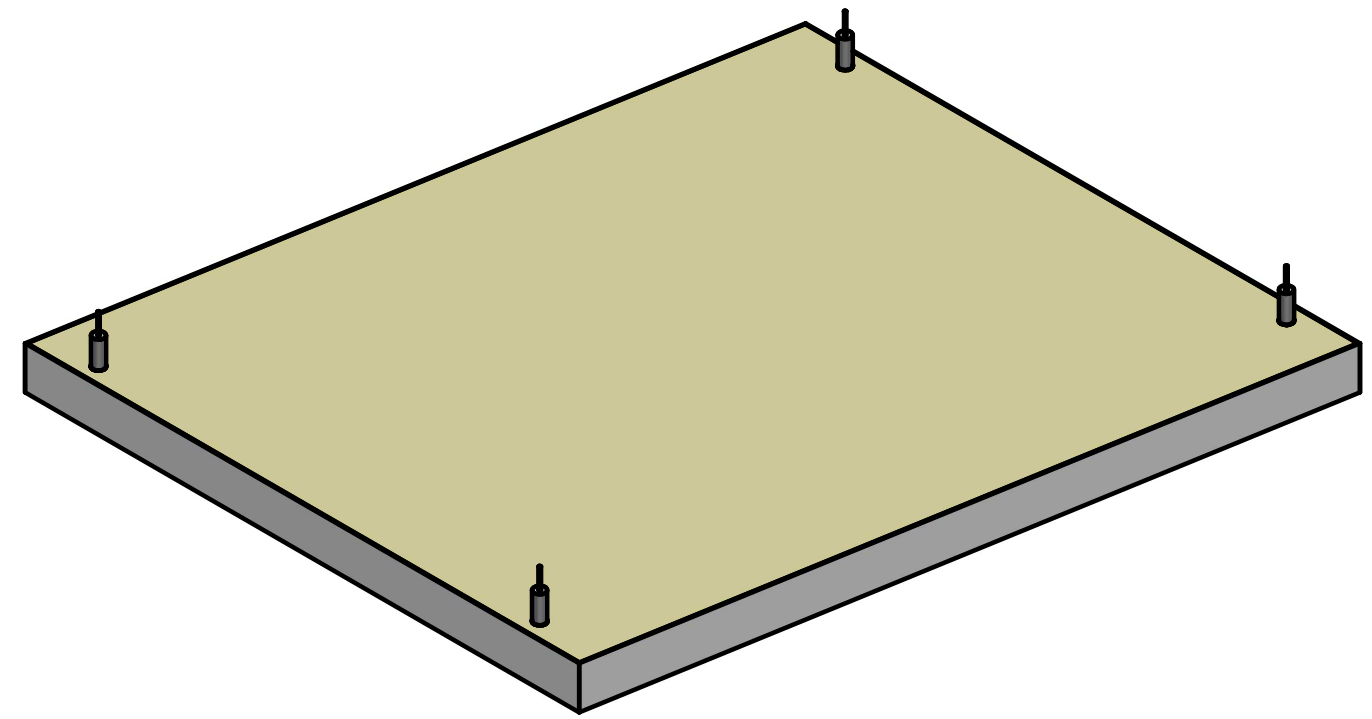
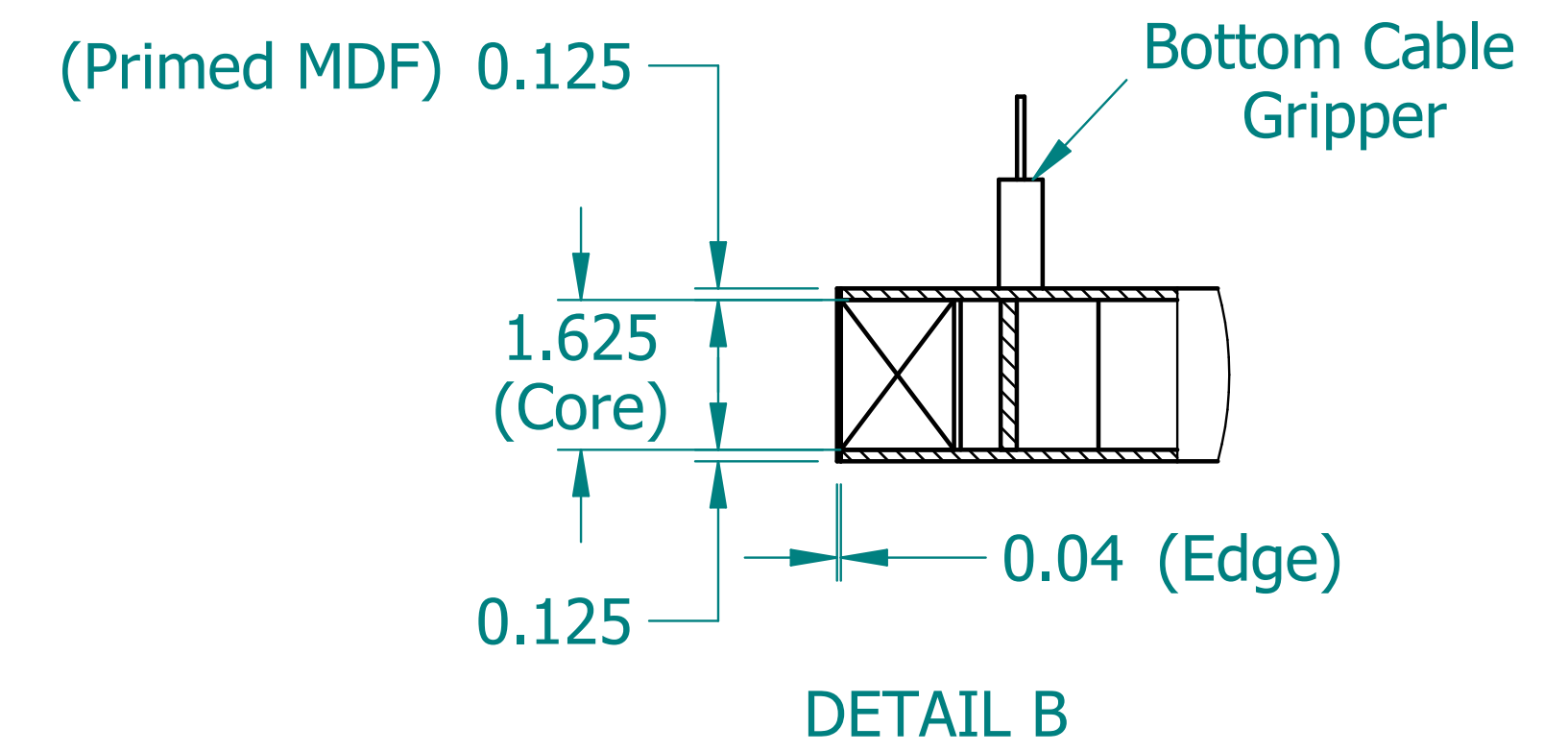
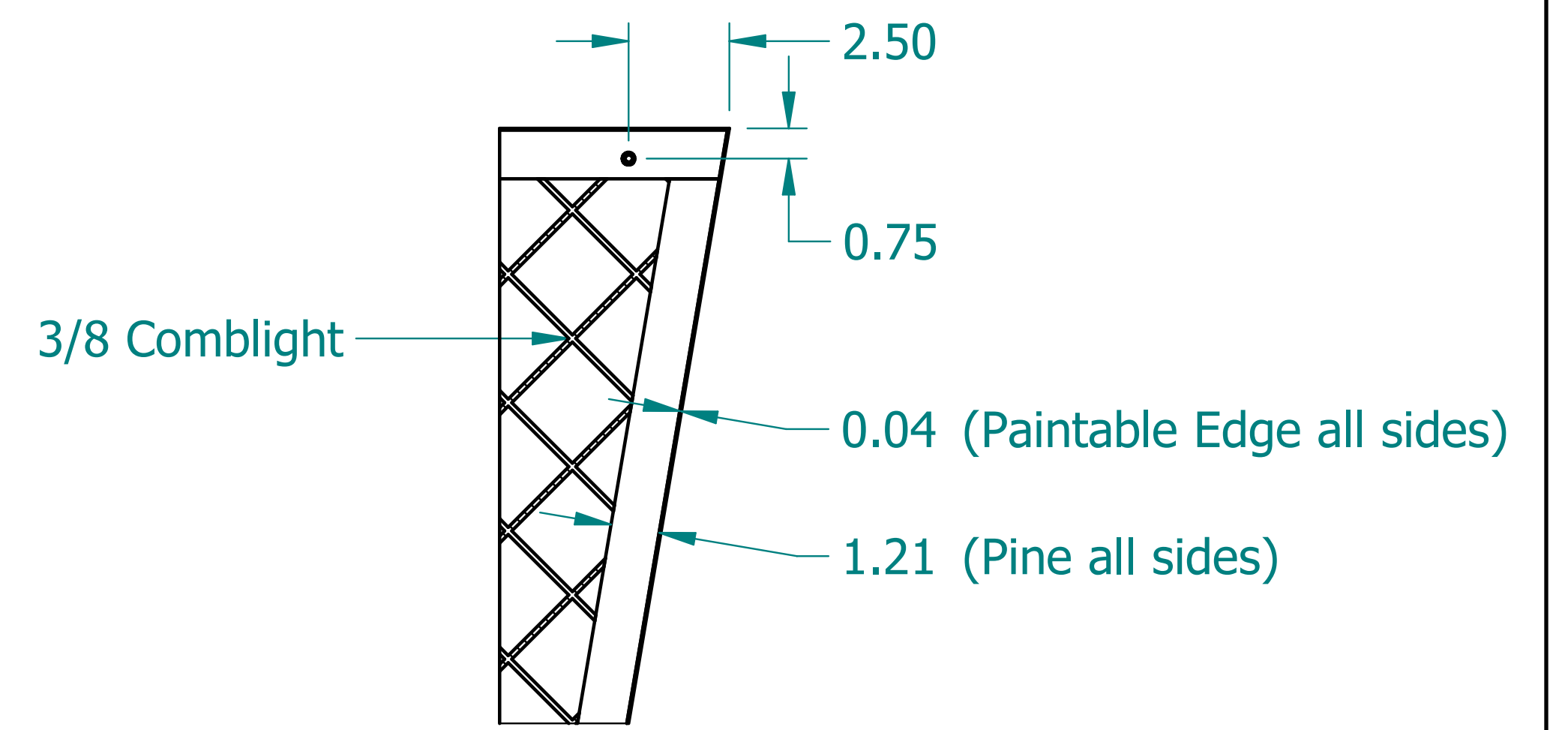


| REVISION HISTORY | | | |
|------------------|-------------|------|----------|
| REV. | DESCRIPTION | DATE | APPROVED |
| | | | |



SECTION A-A



| | NAME | DATE |
|----------|------|----------|
| DRAWN | SAI | 05/05/20 |
| ENG APPR | ERIC | 05/05/20 |



UNLESS OTHERWISE SPECIFIED DIMENSIONS ARE IN 'INCHES'
 ANGLES $\pm 0.8^\circ$; 2 PL ± 0.040 ;
 3 PL ± 0.020

| | |
|--|-------------|
| TITLE Paintable Shape: Right Parallelogram | |
| SUBTITLE 30"x30"x2" | |
| PART NO: Shape-6-02-PG | REV. 1.0 |
| SIZE: 34"x22" | SCALE: 0.17 |
| SHEET 1 OF 1 | |
| FILE NAME: Right Parallelogram (30.30.2).dft | |