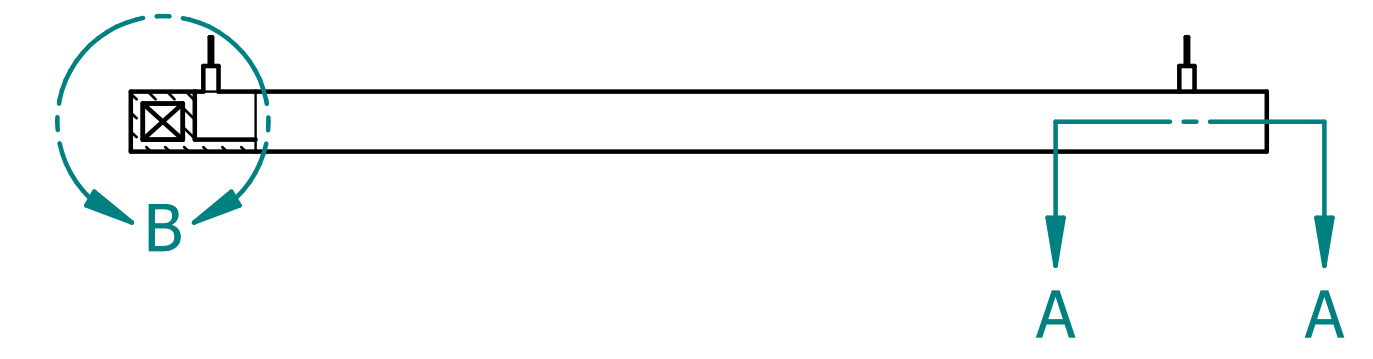
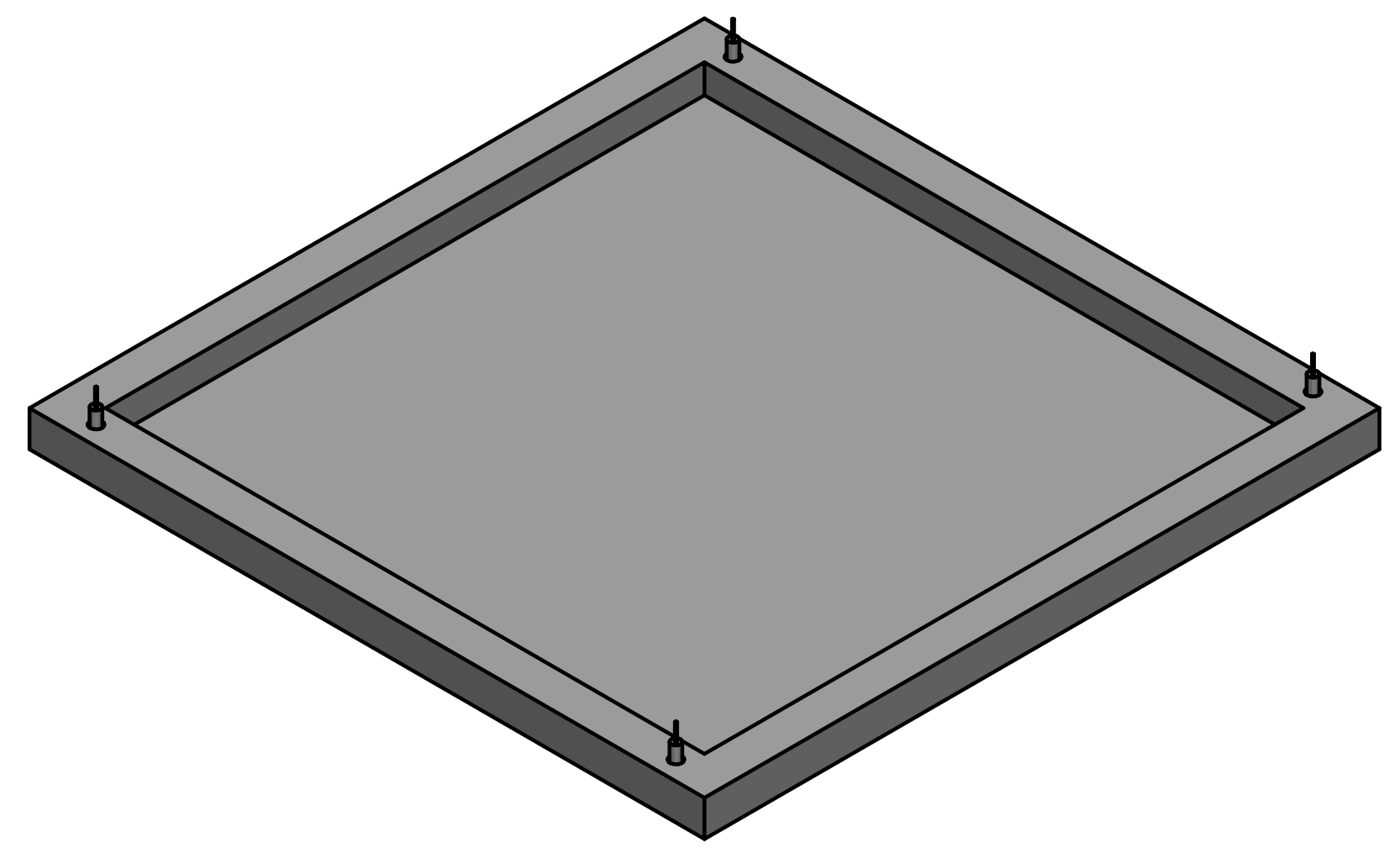
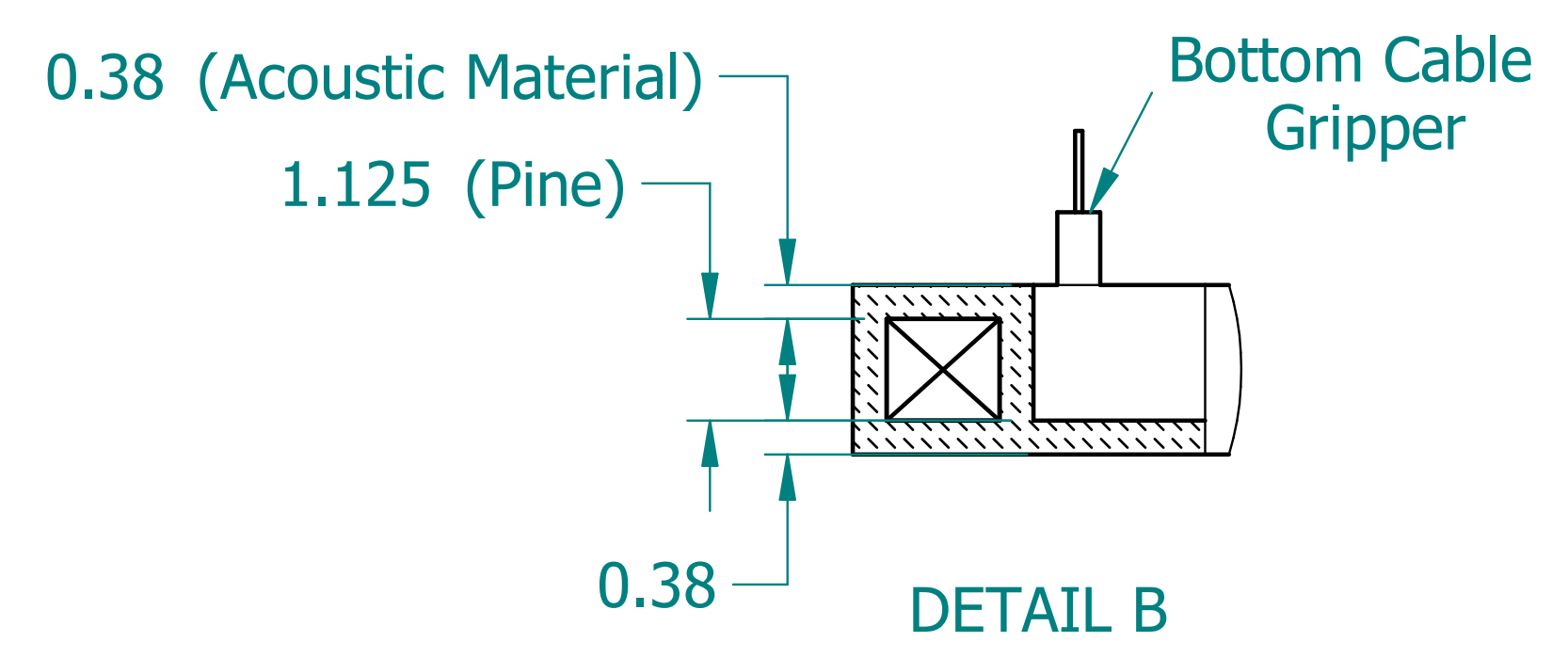
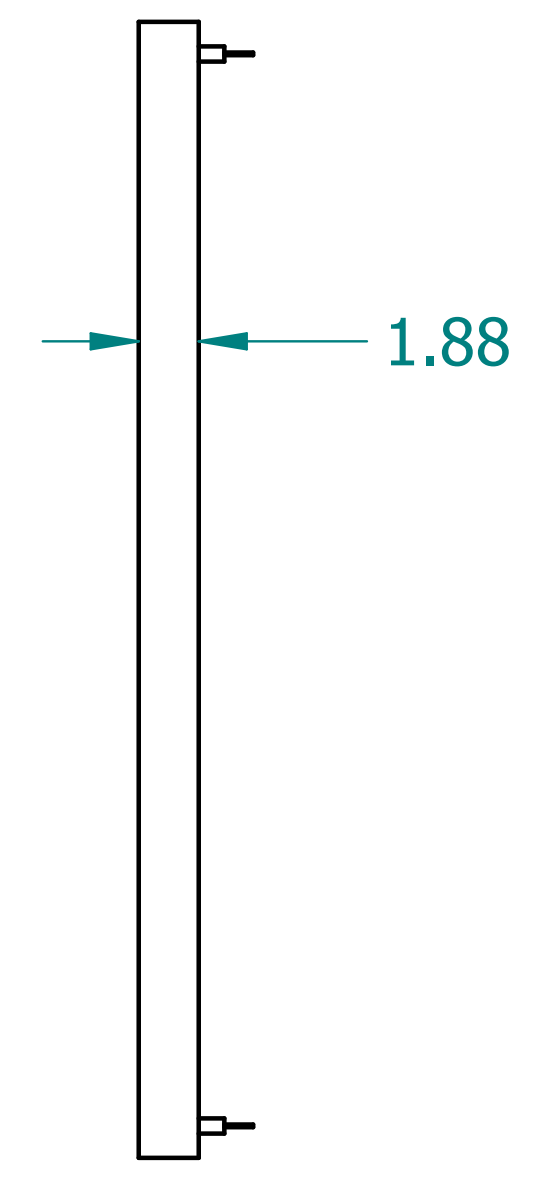
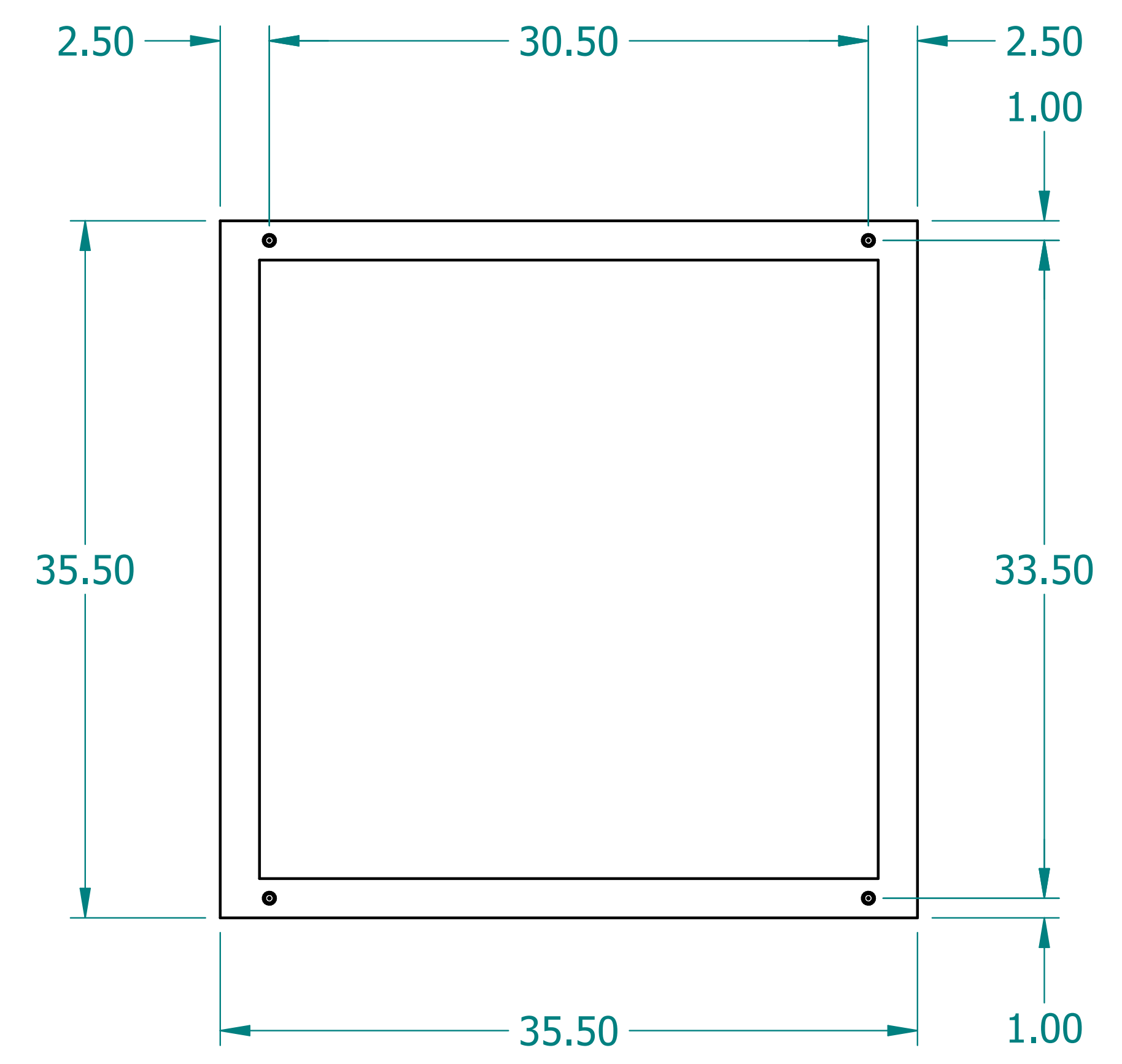
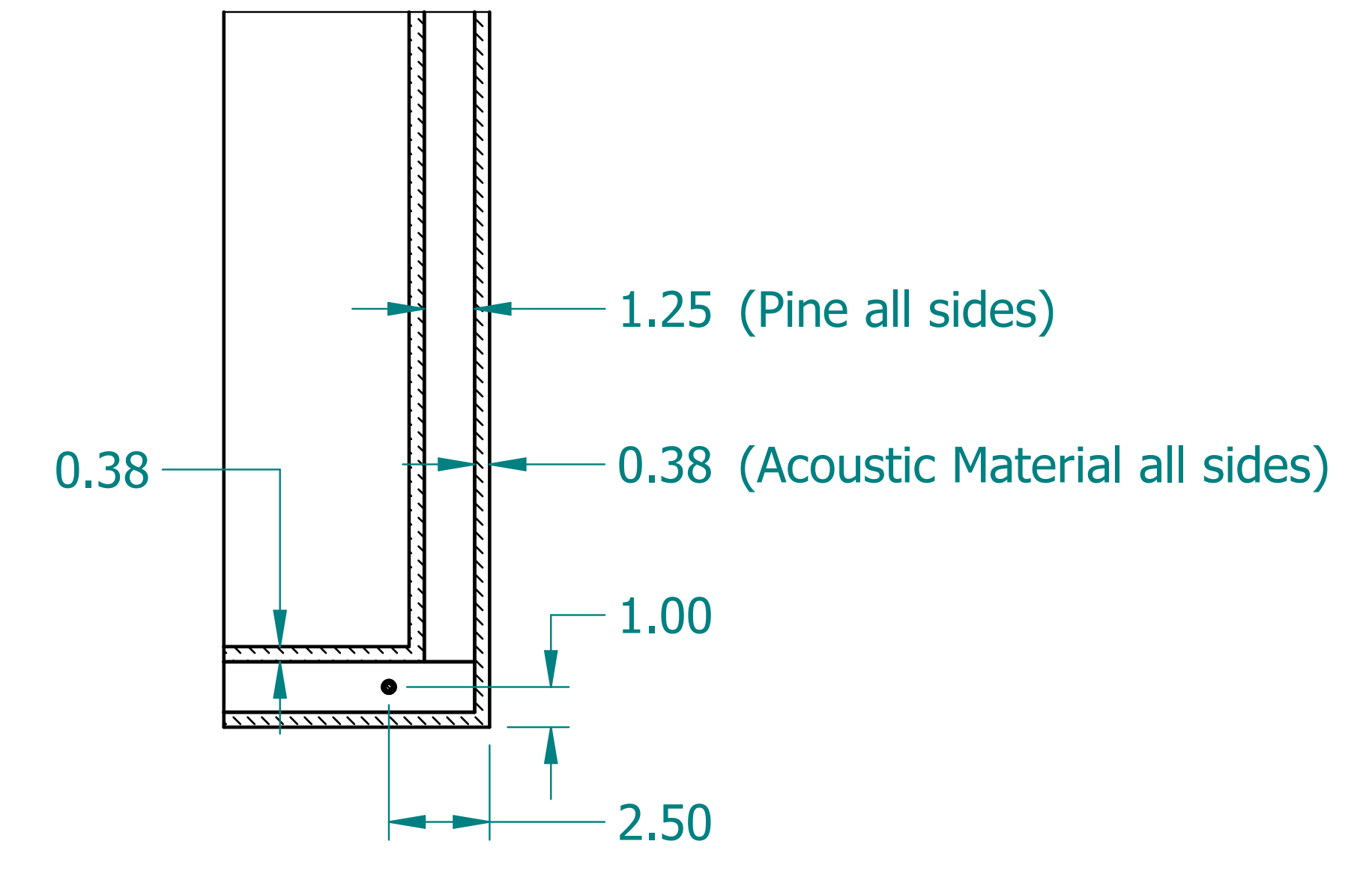


REVISION HISTORY			
REV.	DESCRIPTION	DATE	APPROVED



SECTION A-A



NAME	DATE	
DRAWN: SAI	03/03/20	
ENG APPR: ERIC	03/03/20	
		TITLE: Acoustic Shape: Square
UNLESS OTHERWISE SPECIFIED DIMENSIONS ARE IN 'INCHES' ANGLES $\pm 0.8^\circ$; 2 PL ± 0.040 ; 3 PL ± 0.020		SUBTITLE: 36"x36"x2"
		PART NO: AShape-1-03-XX REV. 1.0
		SIZE: 34"x22" SCALE: 0.17 SHEET 1 OF 1
		FILE NAME: Acoustic Square (36.36.2).dft