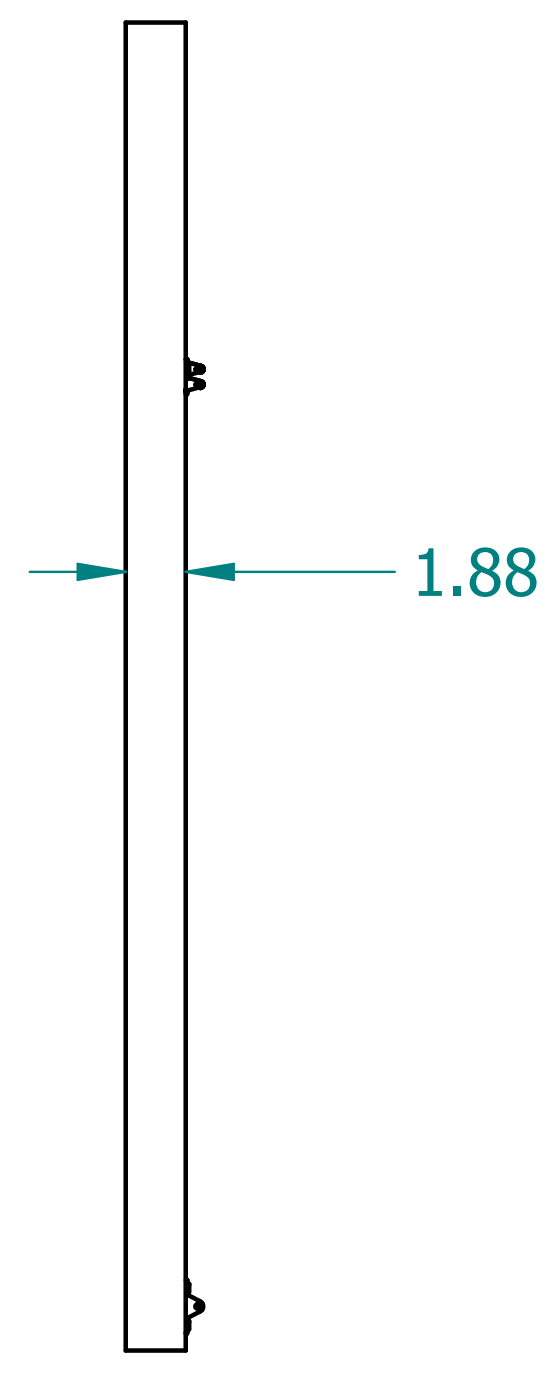
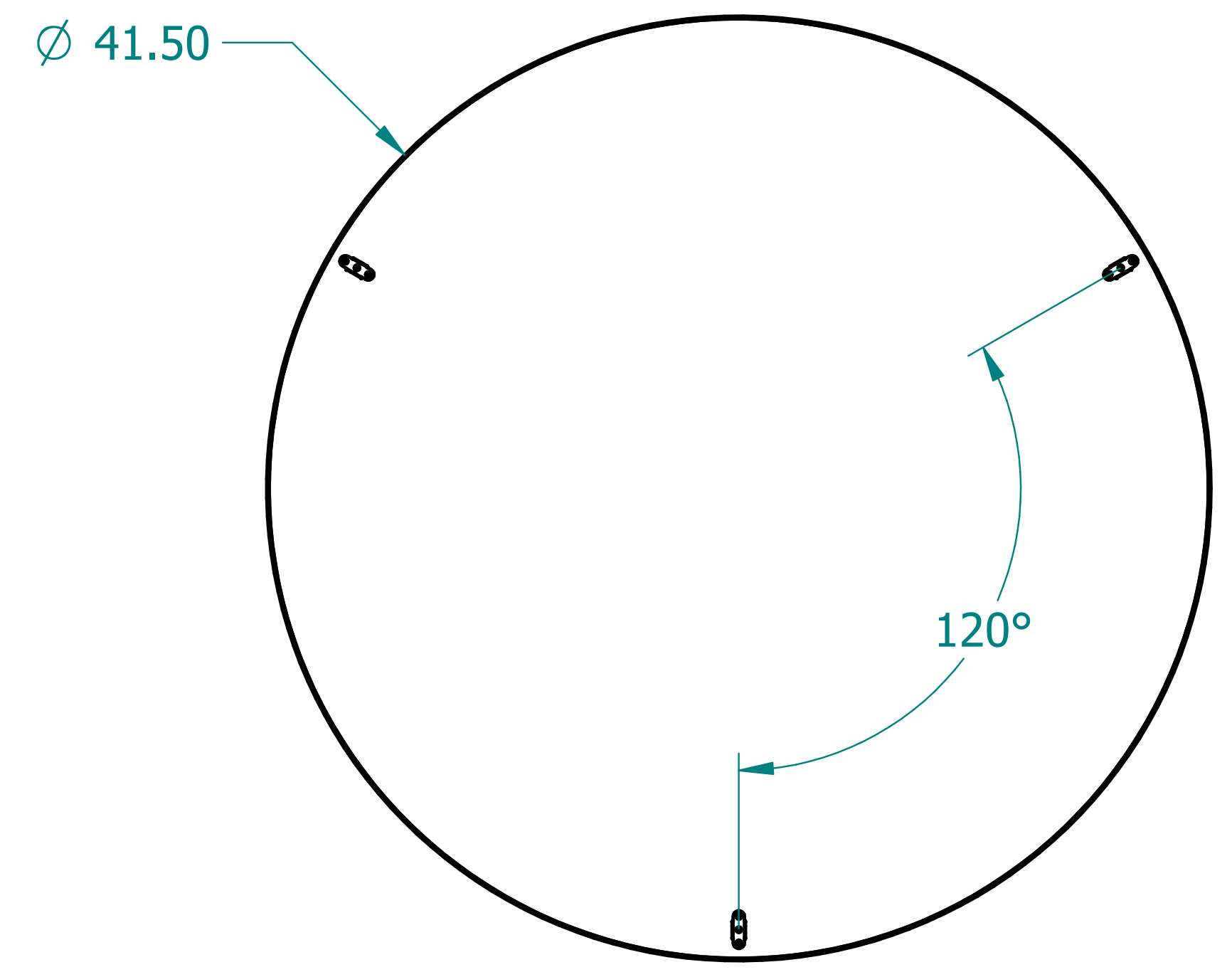
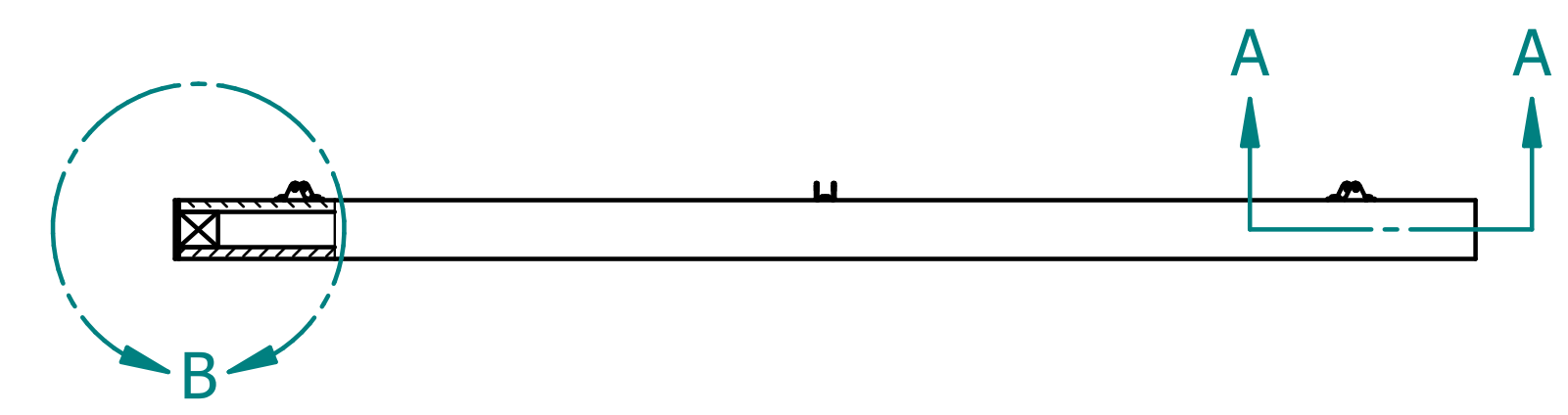
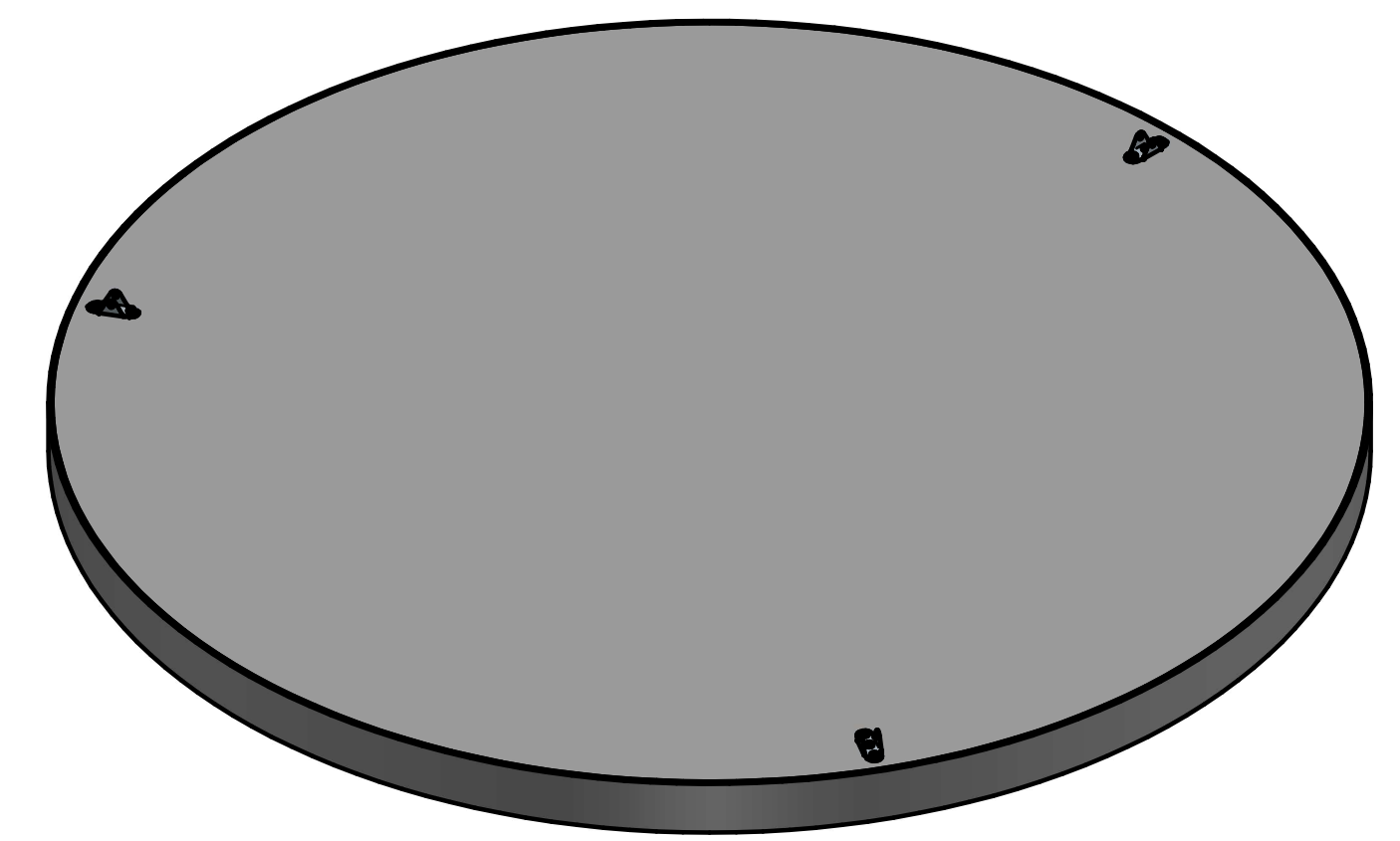
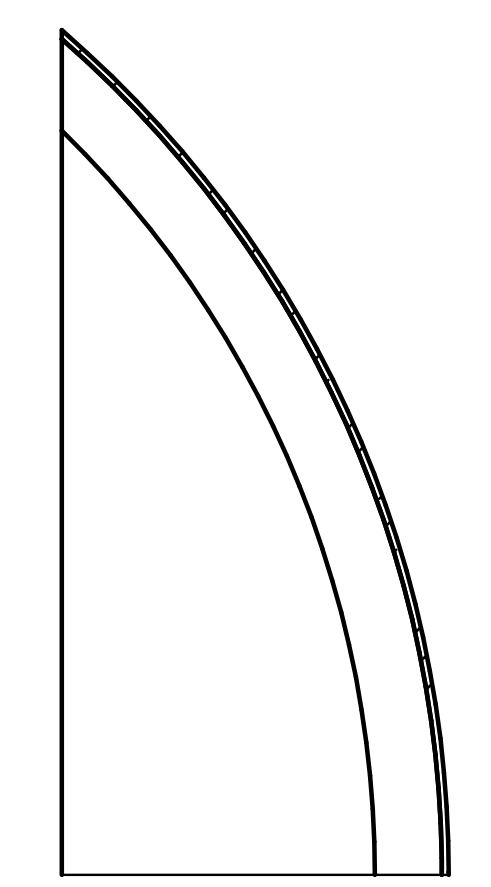


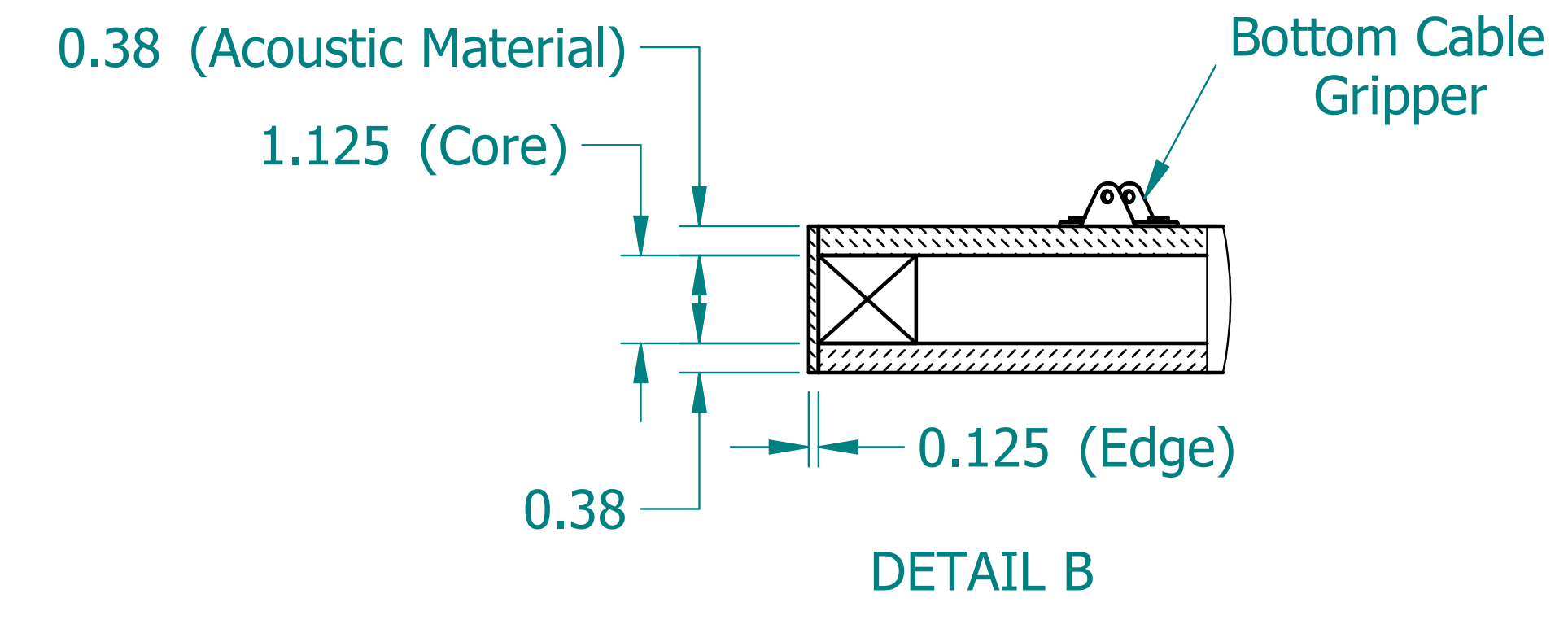
REVISION HISTORY			
REV.	DESCRIPTION	DATE	APPROVED



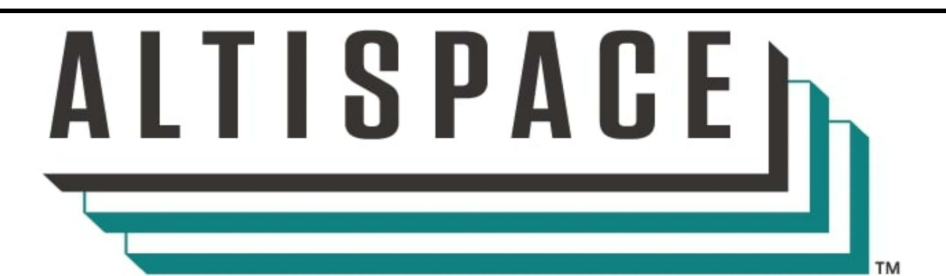
SECTION A-A



0.125 (Acoustic Material Edge)
1.25 (Frame)



	NAME	DATE
DRAWN	SAI	04/27/20
ENG APPR	ERIC	04/27/20



UNLESS OTHERWISE SPECIFIED DIMENSIONS ARE IN 'INCHES'
 ANGLES $\pm 0.8^\circ$; 2 PL ± 0.040 ;
 3 PL ± 0.020

TITLE Acoustic Shape: Circle		
SUBTITLE 42"x42"x2"		
PART NO: AShape-2-04-XX	REV. 1.0	
SIZE: 34"x22"	SCALE: 0.17	SHEET 1 OF 1
FILE NAME: Acoustic Circle (42.42.2).dft		