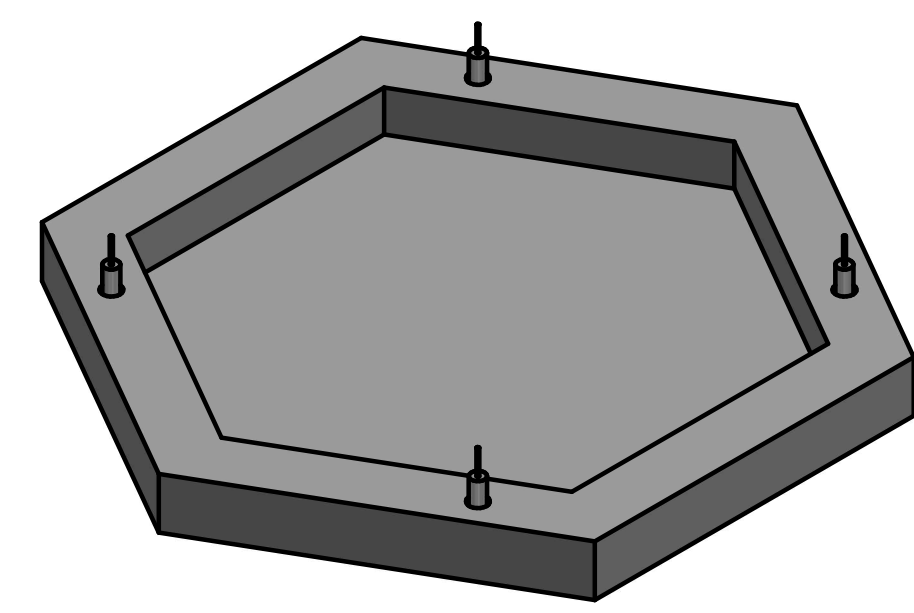
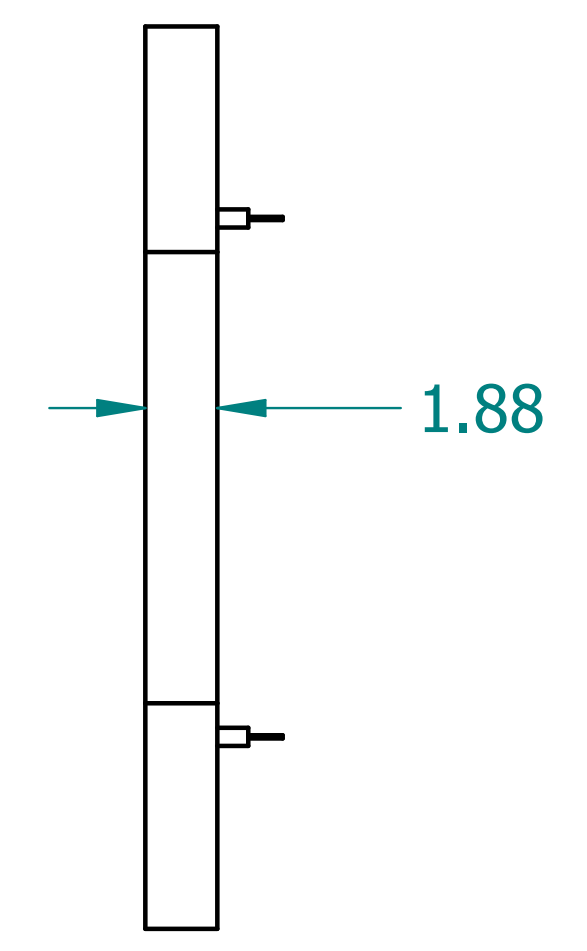
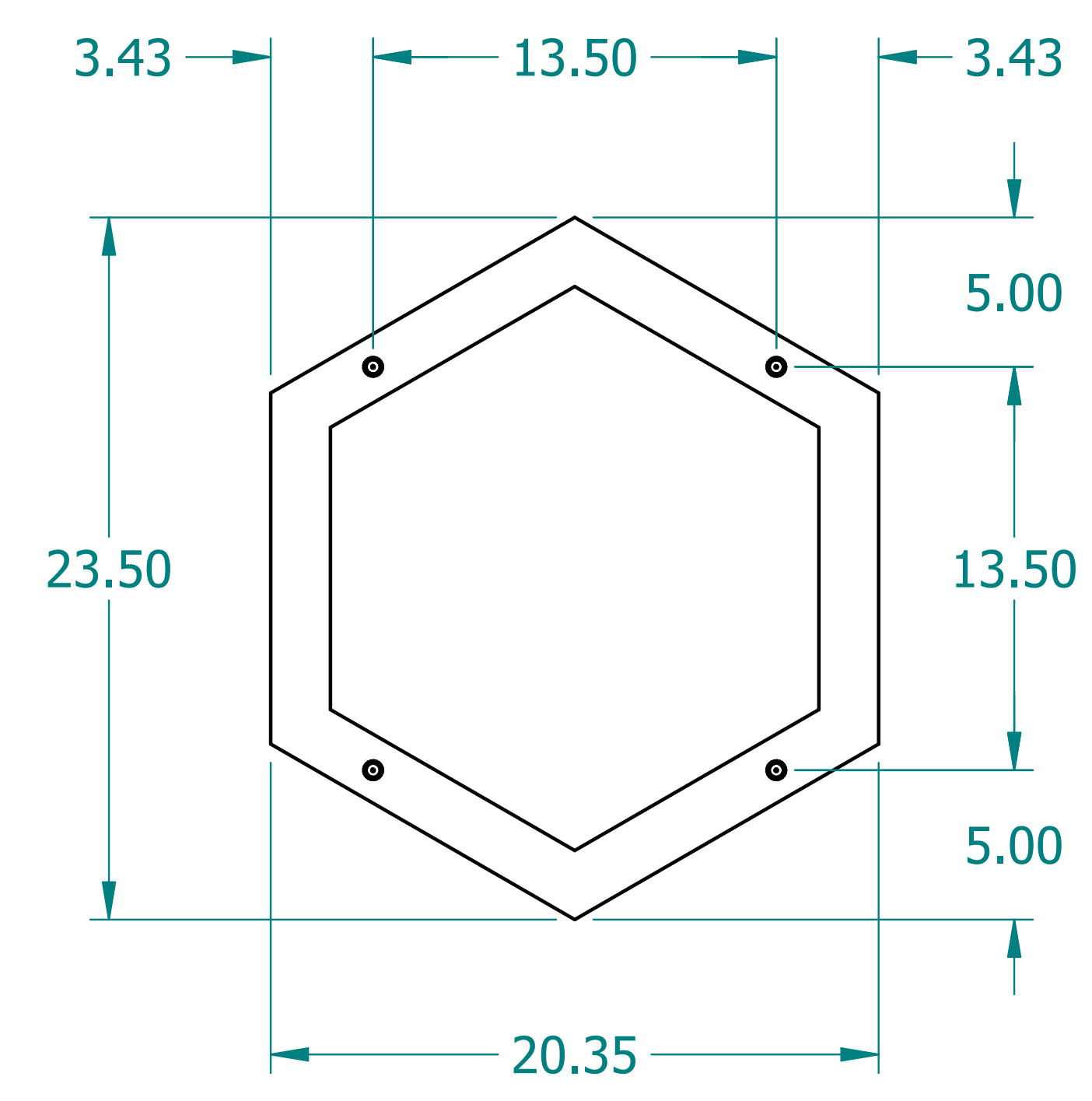
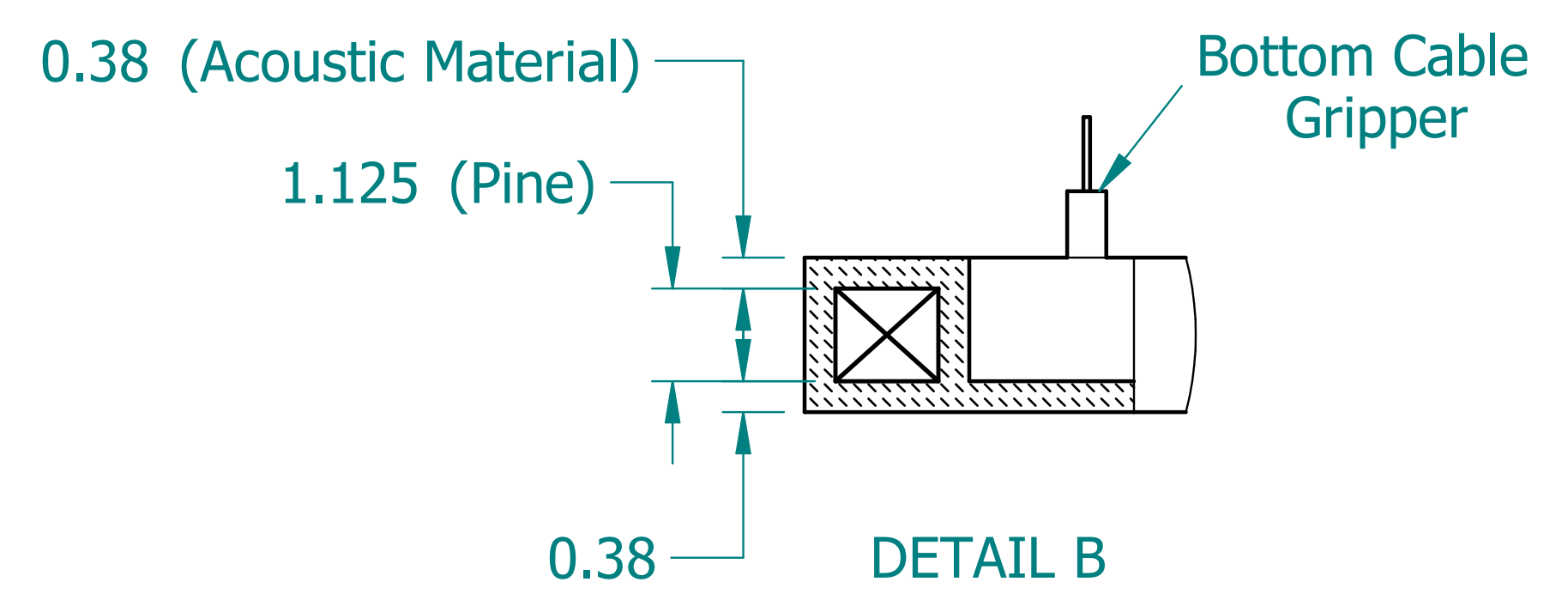
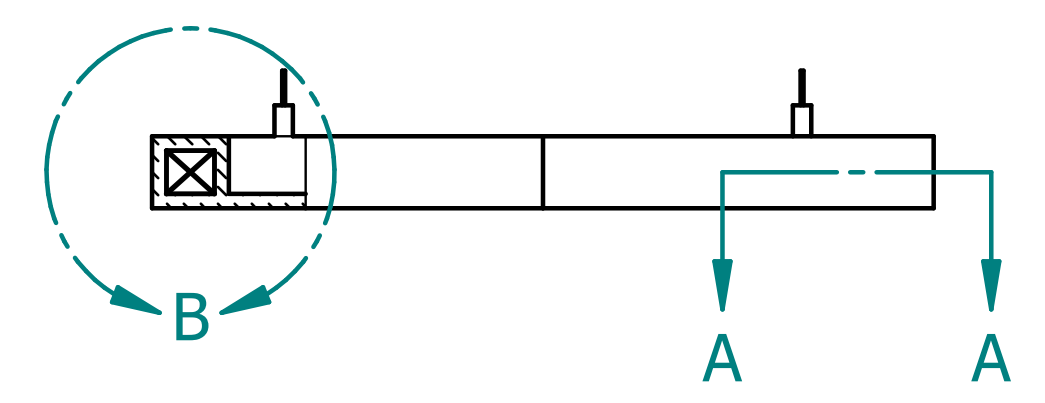
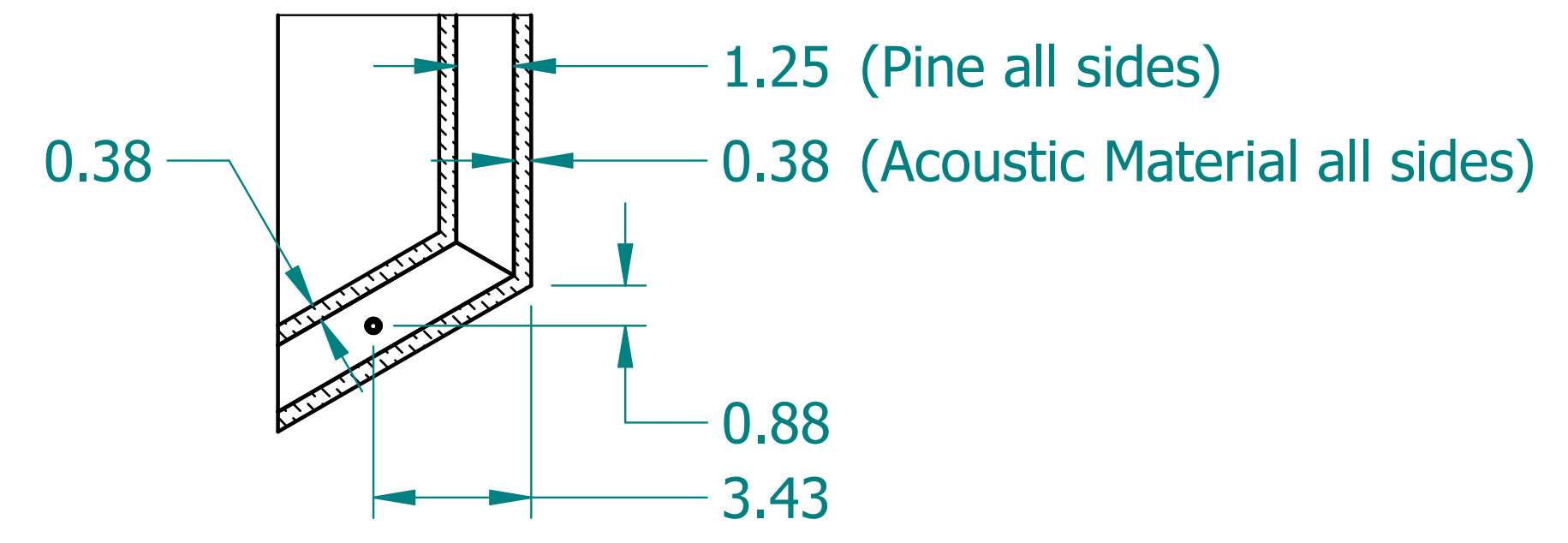


REVISION HISTORY			
REV.	DESCRIPTION	DATE	APPROVED



SECTION A-A



NAME	DATE	
DRAWN SAI	04/29/20	
ENG APPR ERIC	04/29/20	
		TITLE Acoustic Shape: Hexagon
UNLESS OTHERWISE SPECIFIED DIMENSIONS ARE IN 'INCHES' ANGLES ±0.8° ; 2 PL ±0.040 ; 3 PL ±0.020		SUBTITLE 24"x24"x2"
PART NO: AShape-3-01-XX		REV. 1.0
SIZE: 34"x22"	SCALE: 0.20	SHEET 1 OF 1
FILE NAME: Acoustic Hexagon (24.24.2).dft		