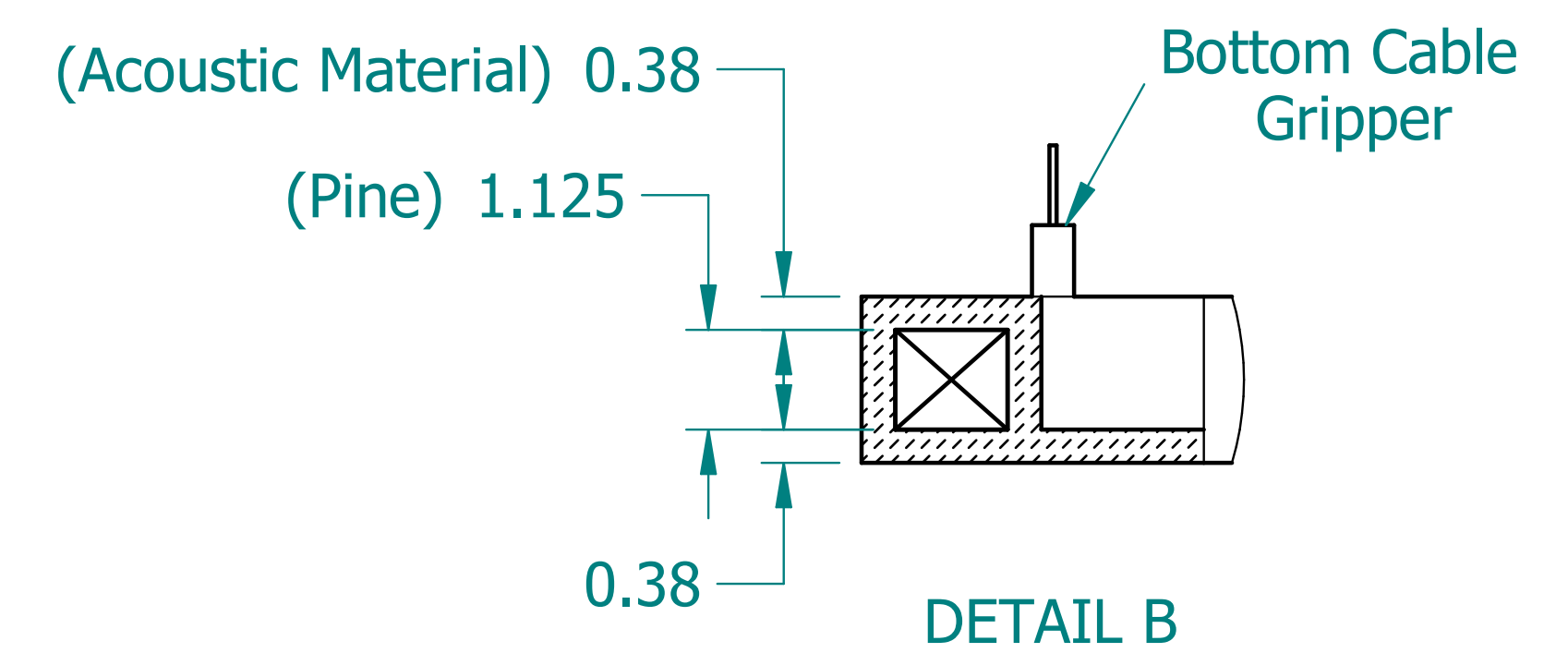
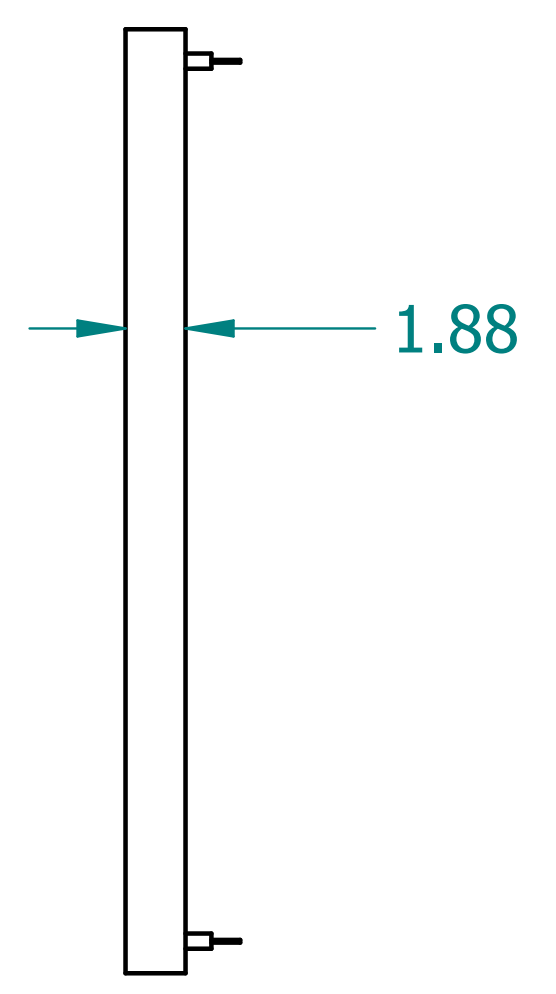
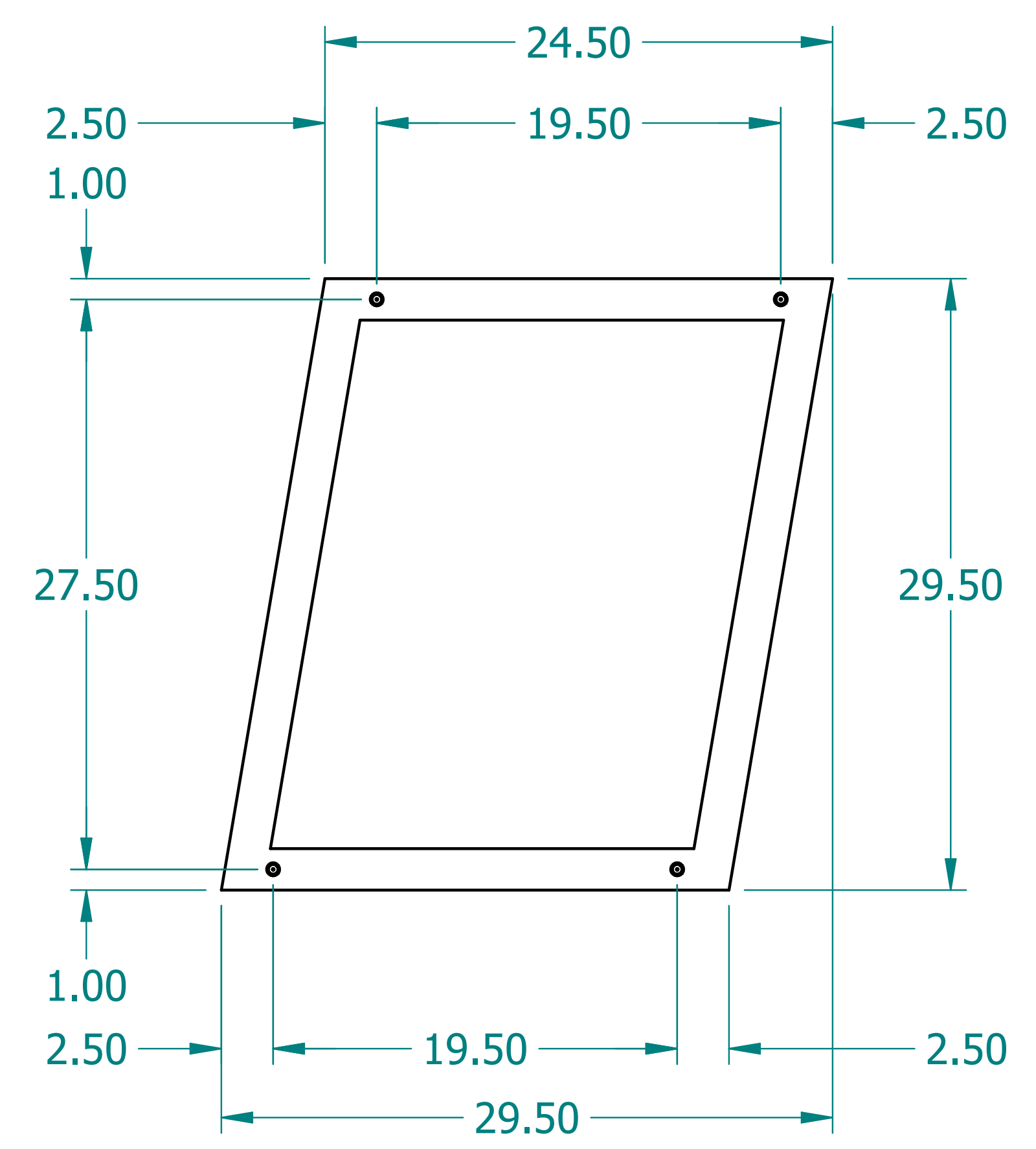
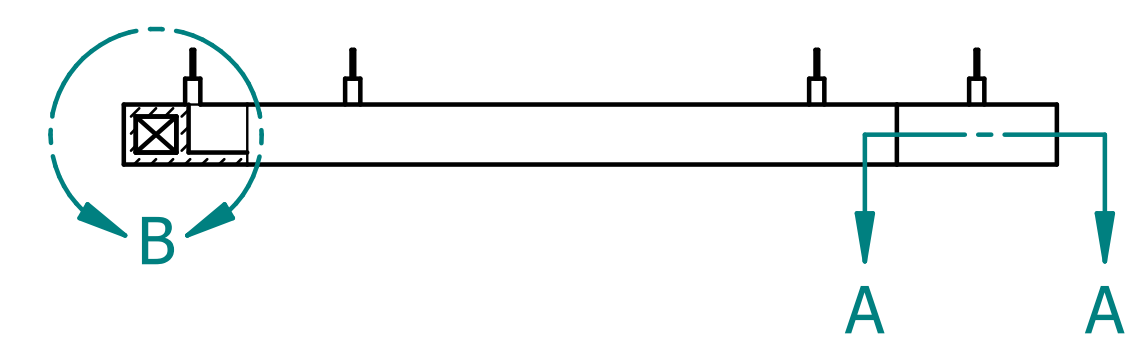
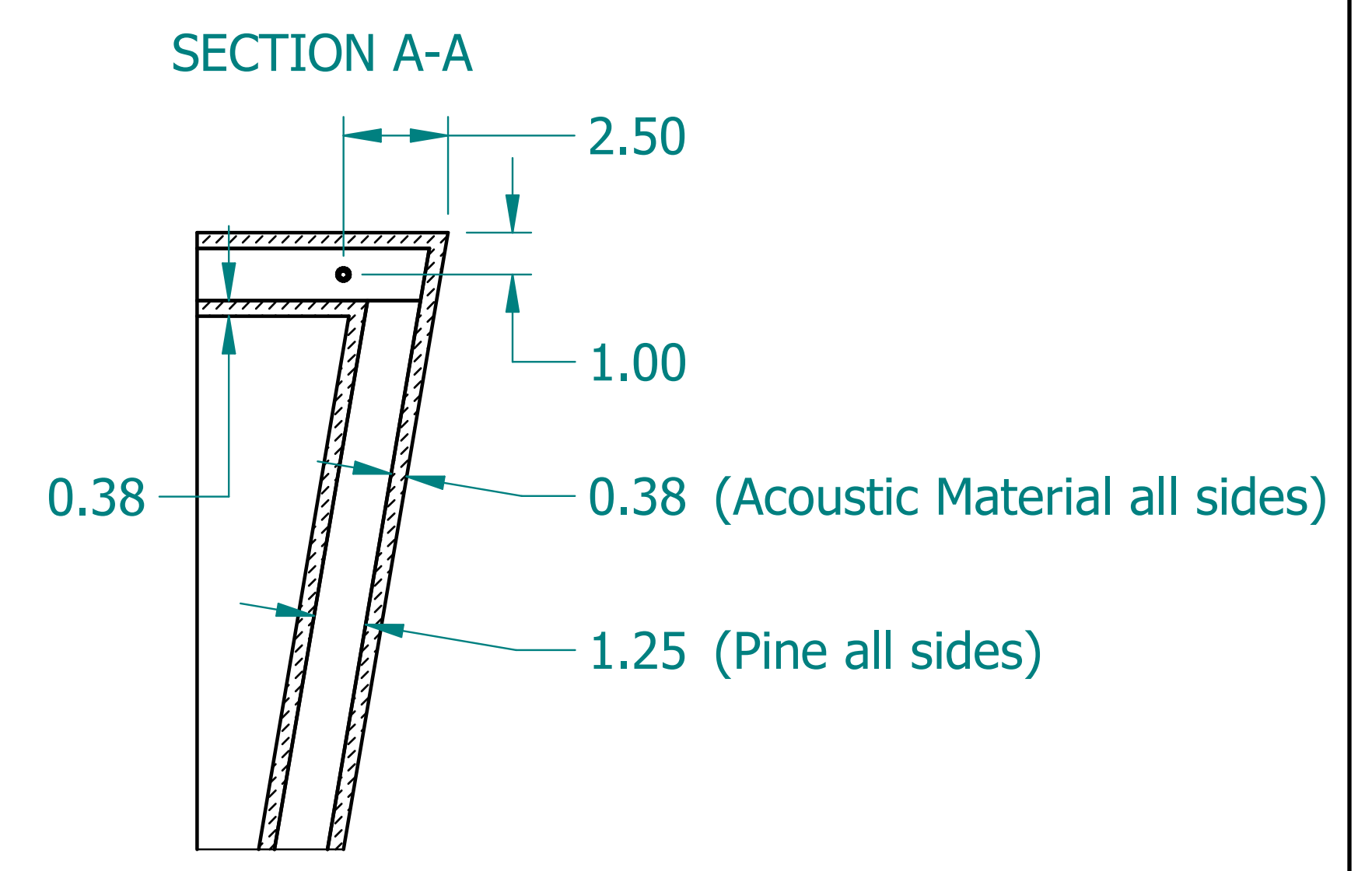
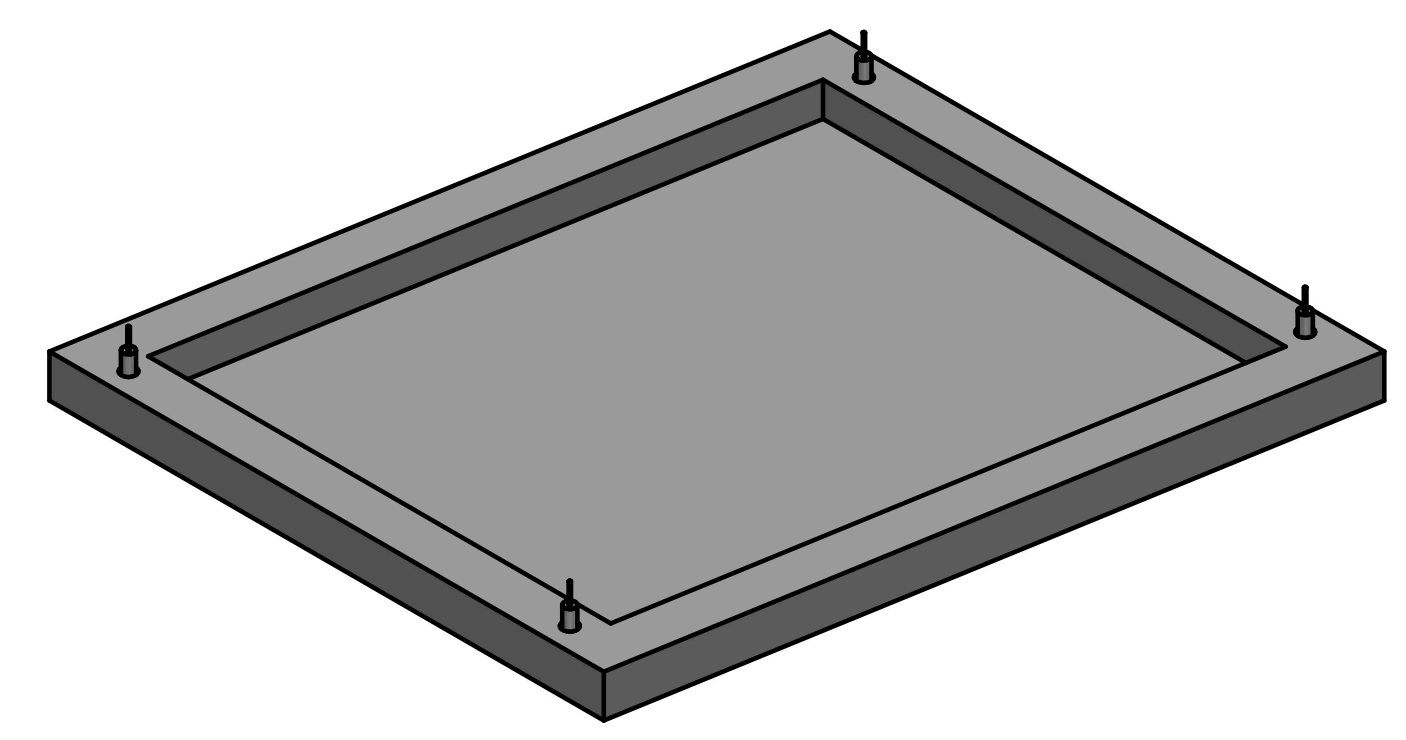


REVISION HISTORY			
REV.	DESCRIPTION	DATE	APPROVED



NAME	DATE	ALTISPACE	
DRAWN: SAI	05/05/20		
ENG APPR: ERIC	05/05/20		
<p>UNLESS OTHERWISE SPECIFIED DIMENSIONS ARE IN 'INCHES'            ANGLES <math>\pm 0.8^\circ</math> ; 2 PL <math>\pm 0.040</math> ;            3 PL <math>\pm 0.020</math></p>		TITLE: Acoustic Shape: Right Parallelogram	
		SUBTITLE: 30"x30"x2"	
		PART NO: AShape-6-02-XX	REV: 1.0
		SIZE: 34"x22"	SCALE: 0.17
FILE NAME: Right Parallelogram (30.30.2).dft			