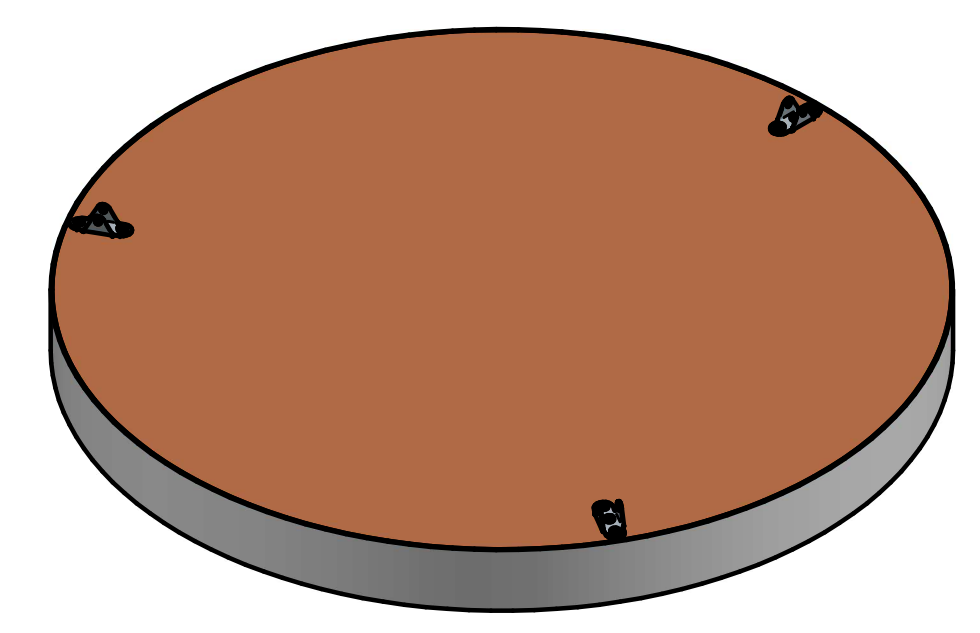
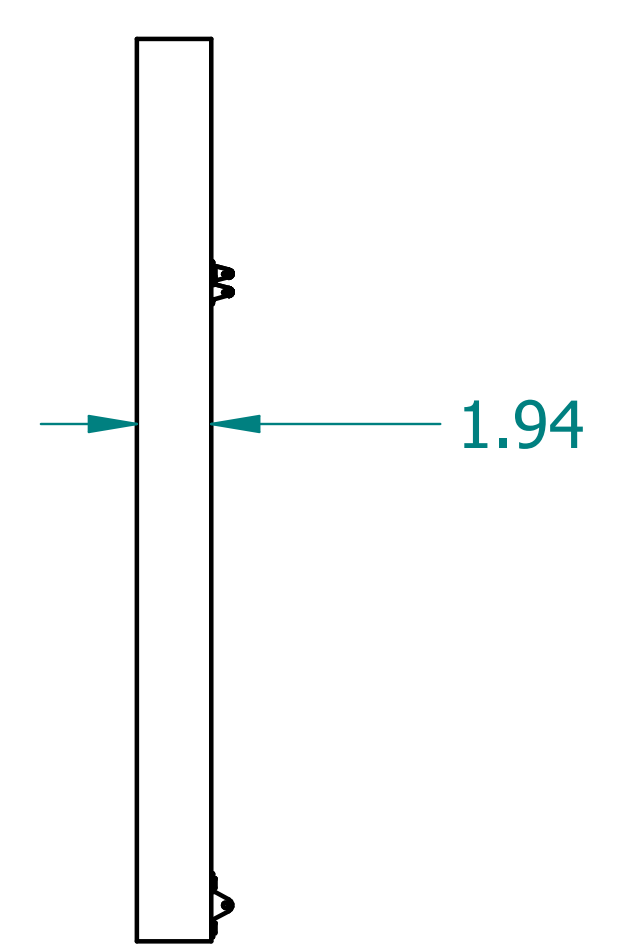
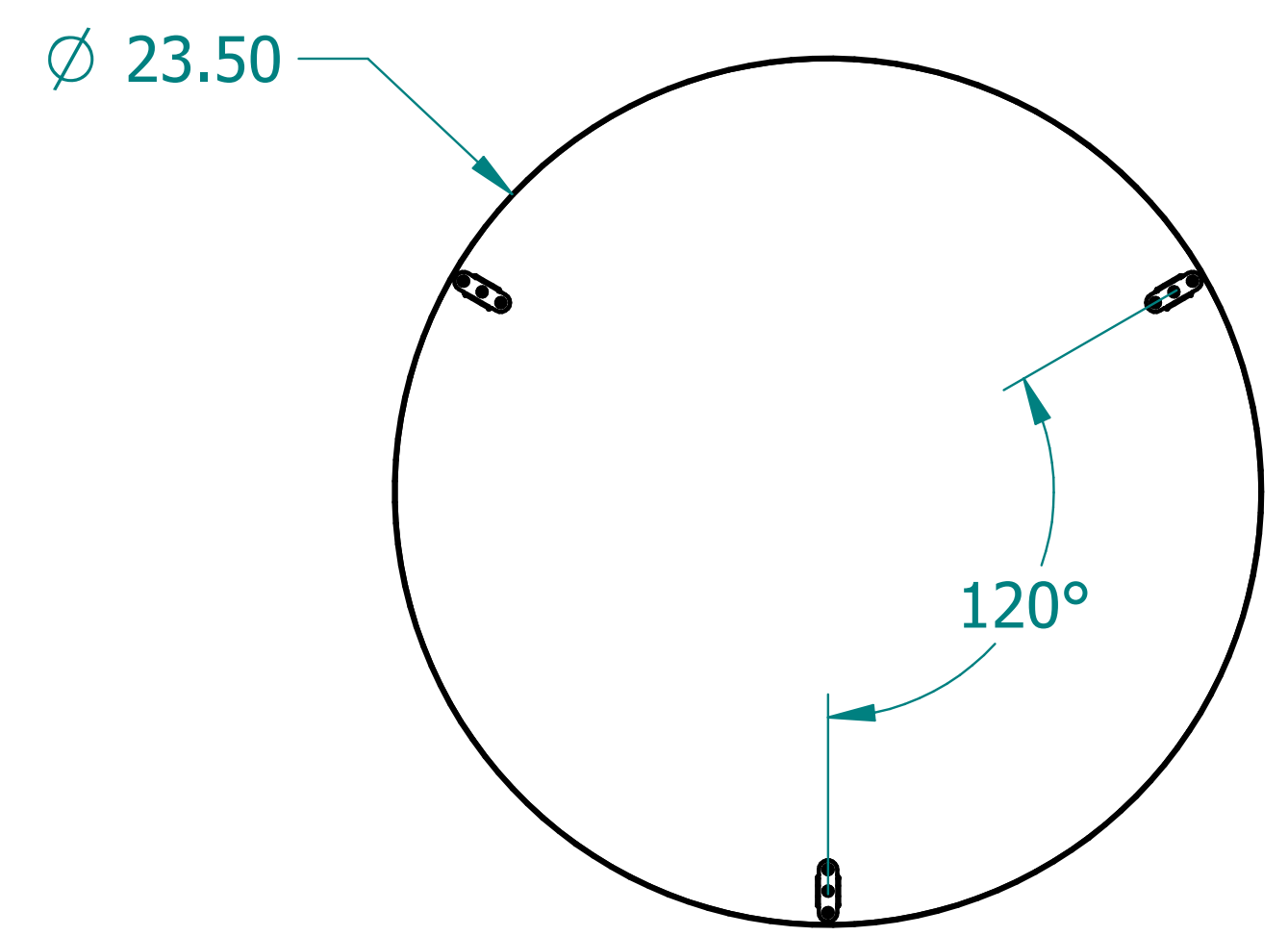
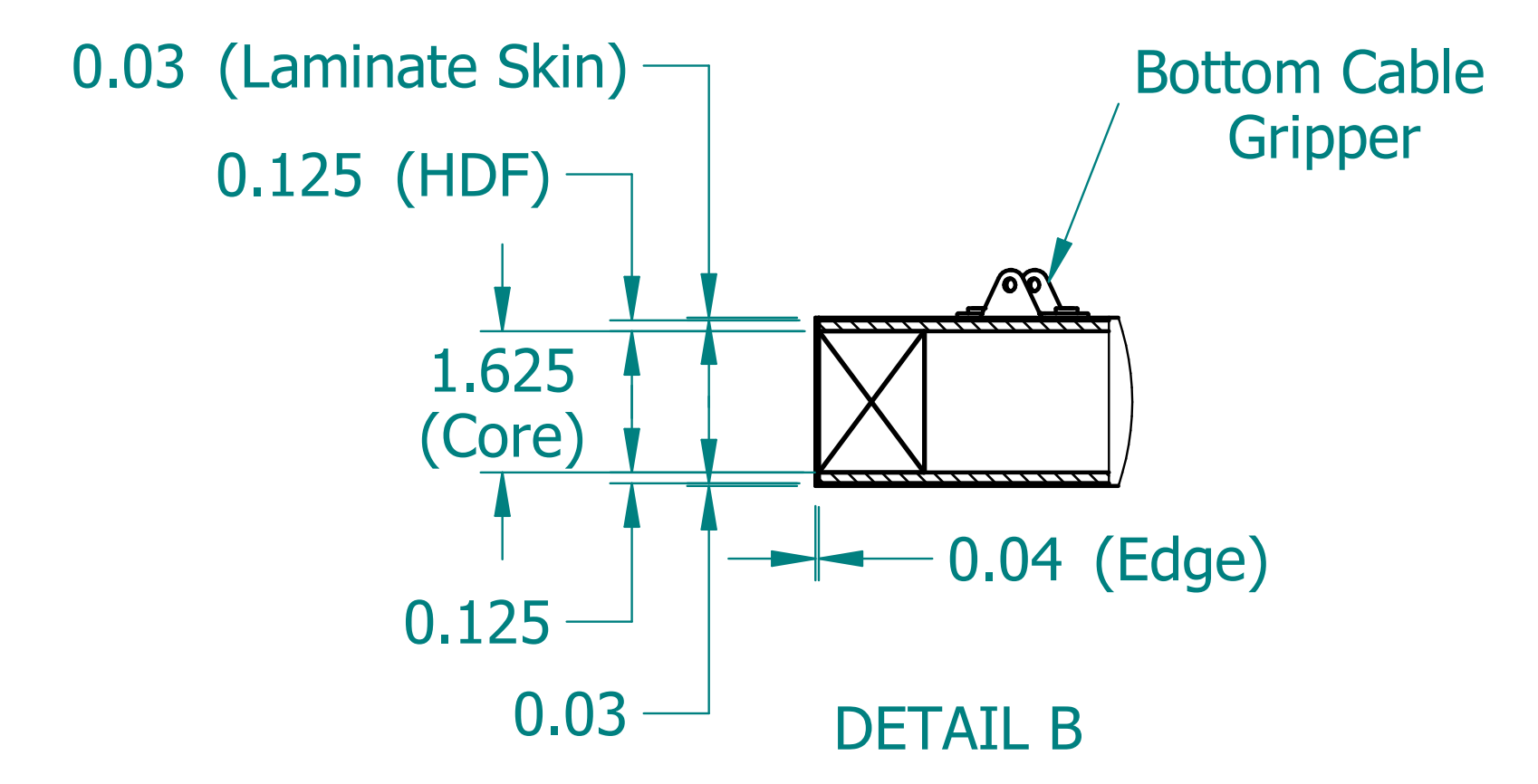
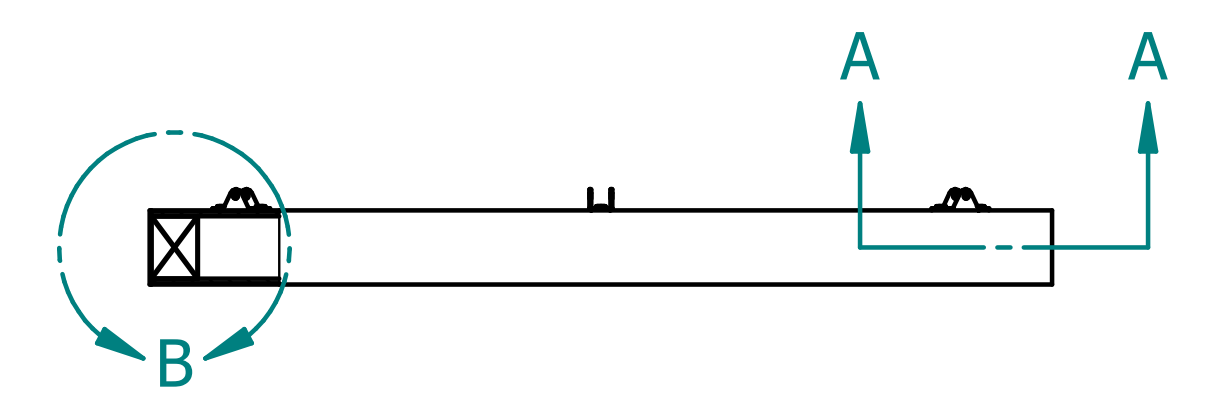
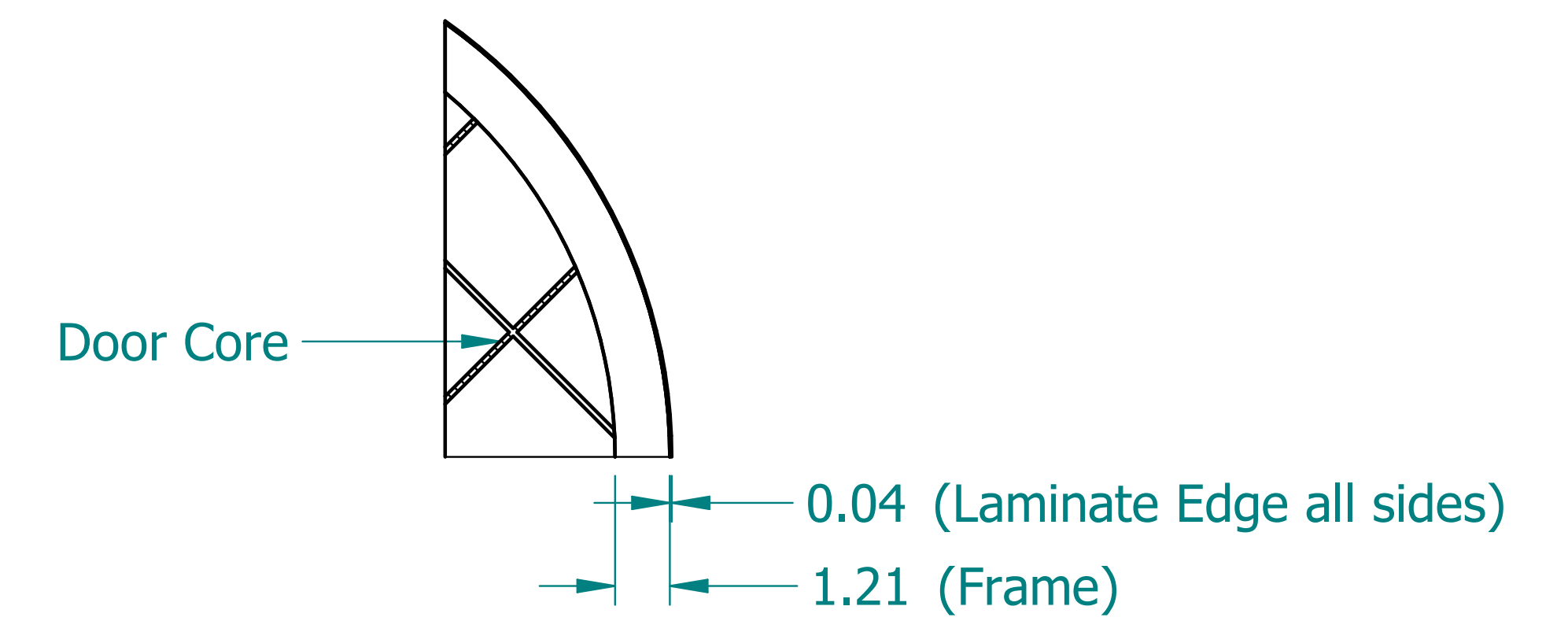

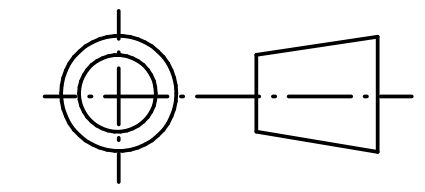


REVISION HISTORY			
REV.	DESCRIPTION	DATE	APPROVED



SECTION A-A



NAME	DATE	
DRAWN: SAI	04/27/20	
ENG APPR: ERIC	04/27/20	
		TITLE: Laminated Shape: Circle
UNLESS OTHERWISE SPECIFIED DIMENSIONS ARE IN 'INCHES' ANGLES $\pm 0.8^\circ$ ; 2 PL $\pm 0.040$ ; 3 PL $\pm 0.020$		SUBTITLE: 24"x24"x2"
		PART NO: Shape-2-01-XX REV: 1.0
		SIZE: 34"x22" SCALE: 0.20 SHEET 1 OF 1
		FILE NAME: Laminated Circle (24.24.2).dft