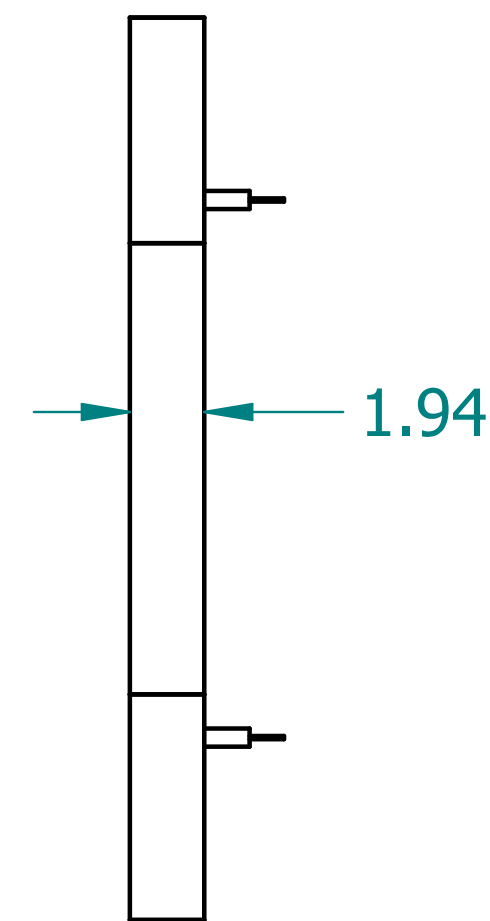
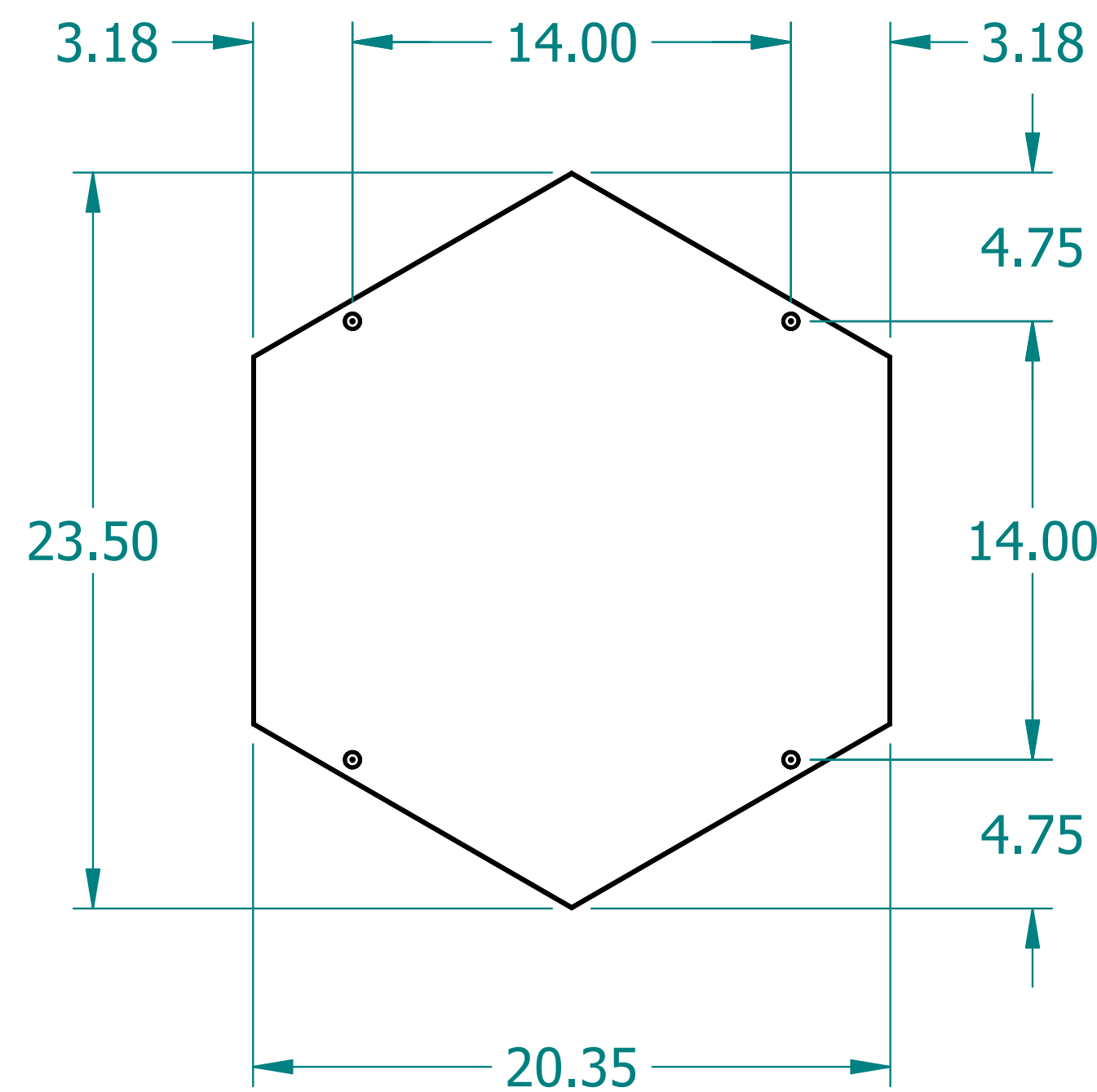
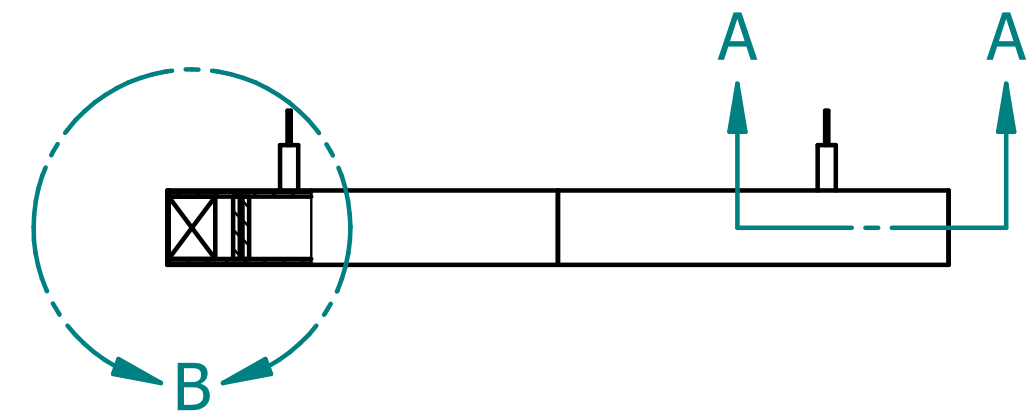
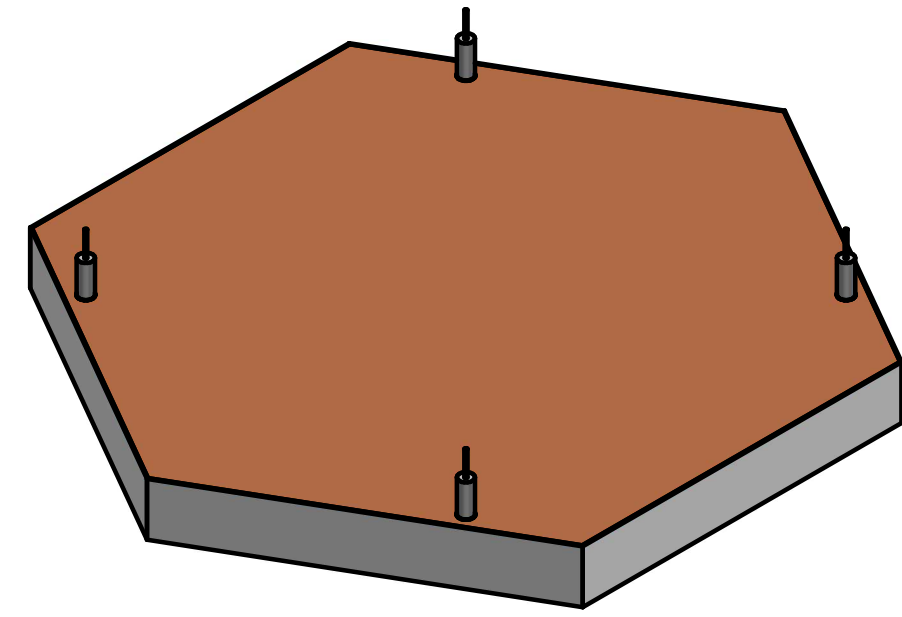
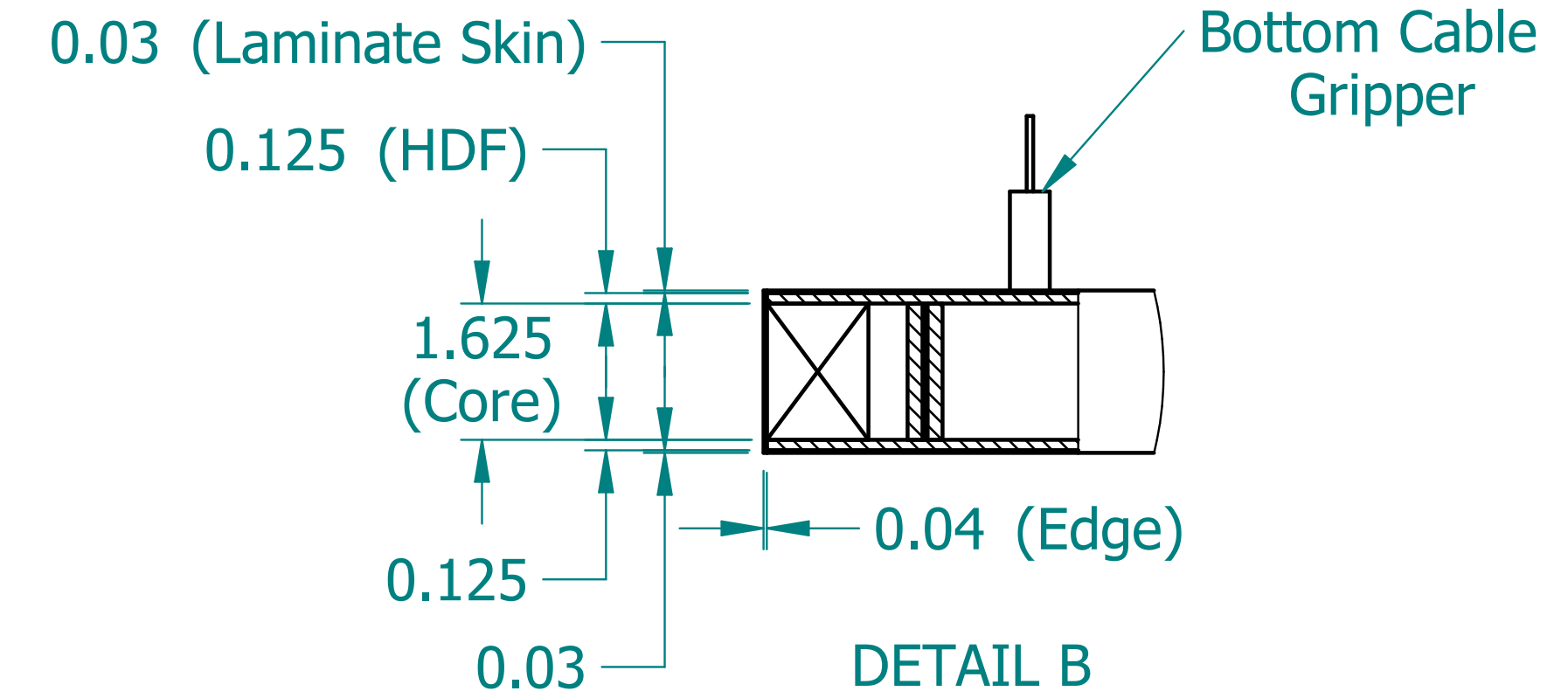
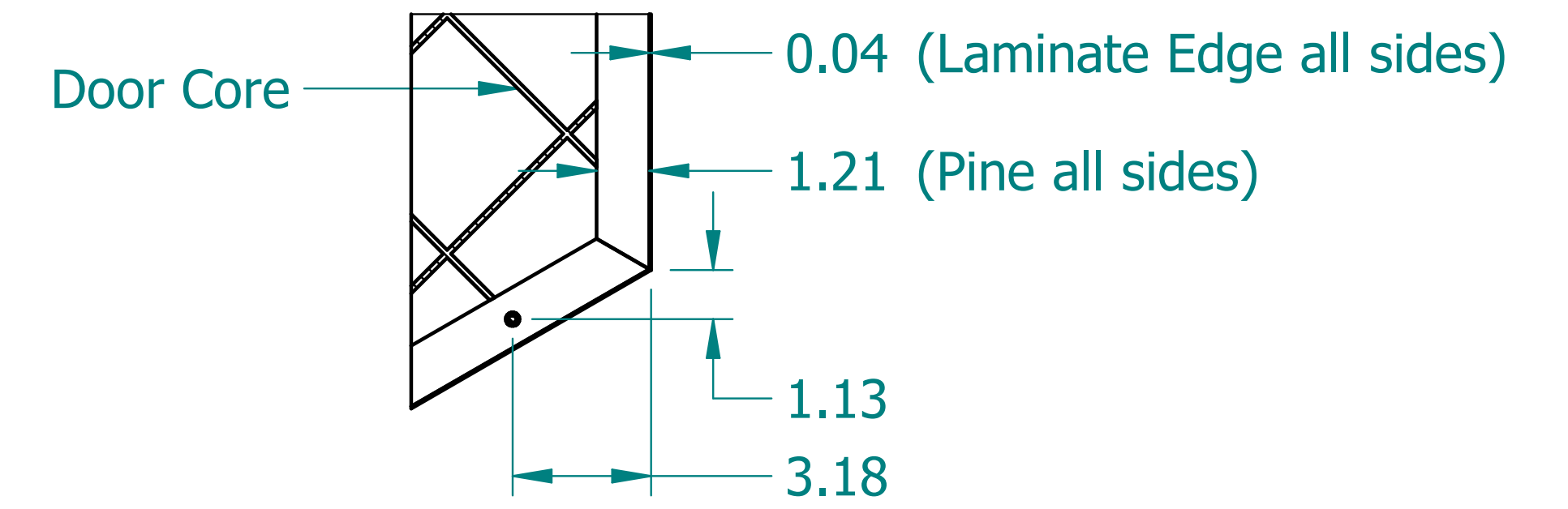


REVISION HISTORY			
REV.	DESCRIPTION	DATE	APPROVED



SECTION A-A



DETAIL B

NAME	DATE	ALTISPACE	
DRAWN: SAI	03/03/20		
ENG APPR: ERIC	03/03/20		
		TITLE: Laminate Shape: Hexagon	
		SUBTITLE: 24"x24"x2"	
UNLESS OTHERWISE SPECIFIED DIMENSIONS ARE IN 'INCHES' ANGLES ±0.8° ; 2 PL ±0.040 ; 3 PL ±0.020		PART NO: Shape-3-01-XX	REV. 1.0
		SIZE: 34"x22"	SCALE: 0.20 SHEET 1 OF 1
FILE NAME: Laminated Hexagon (24.24.2).dft			