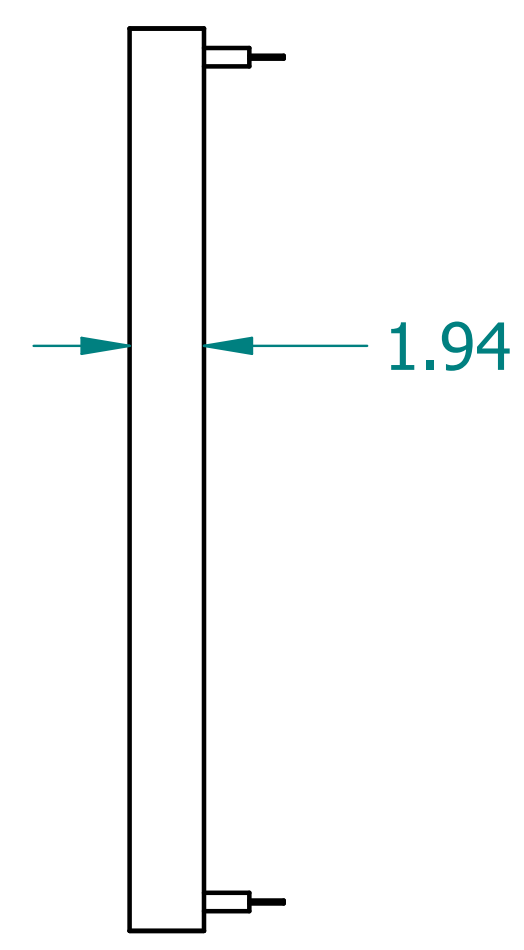
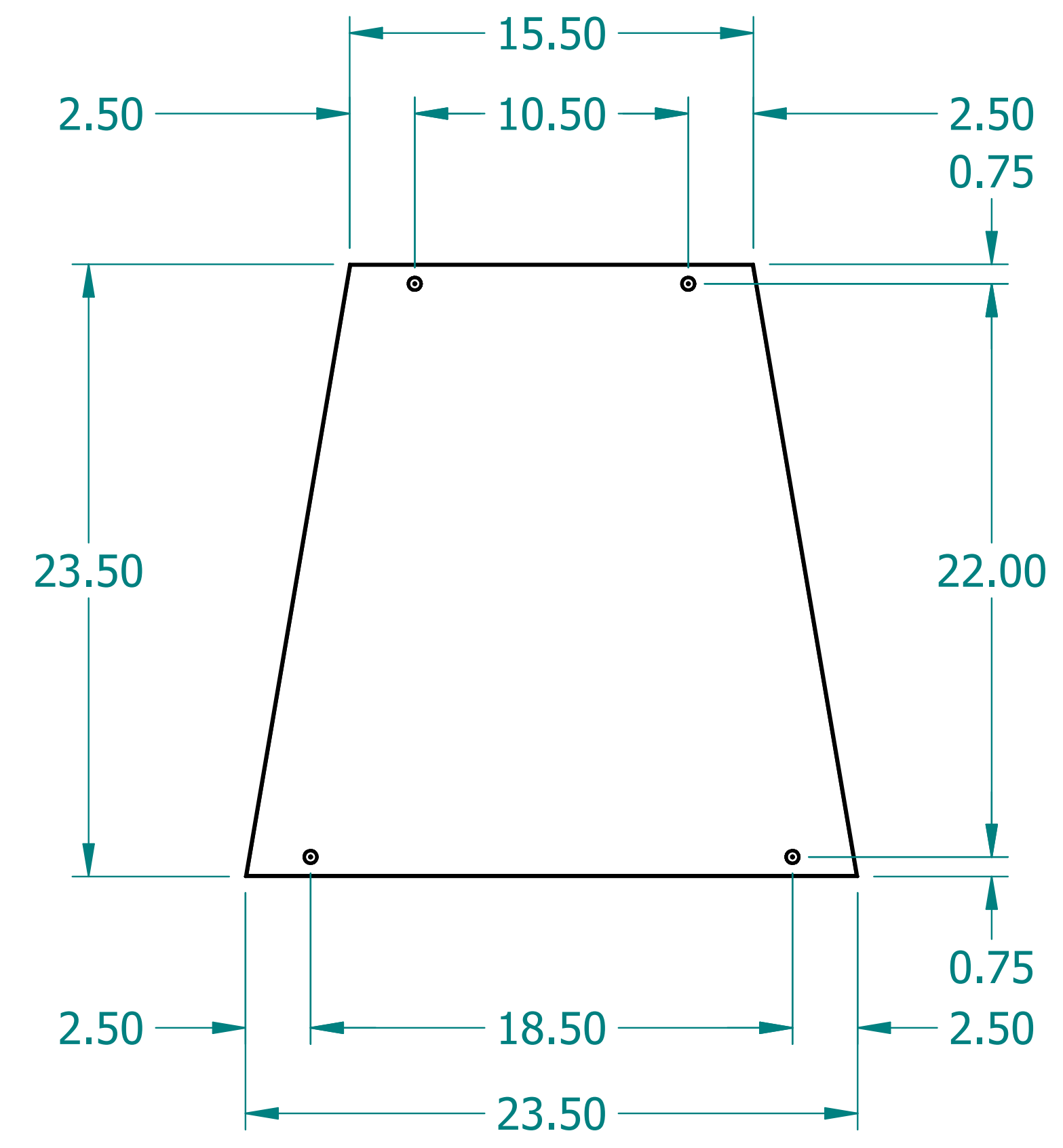
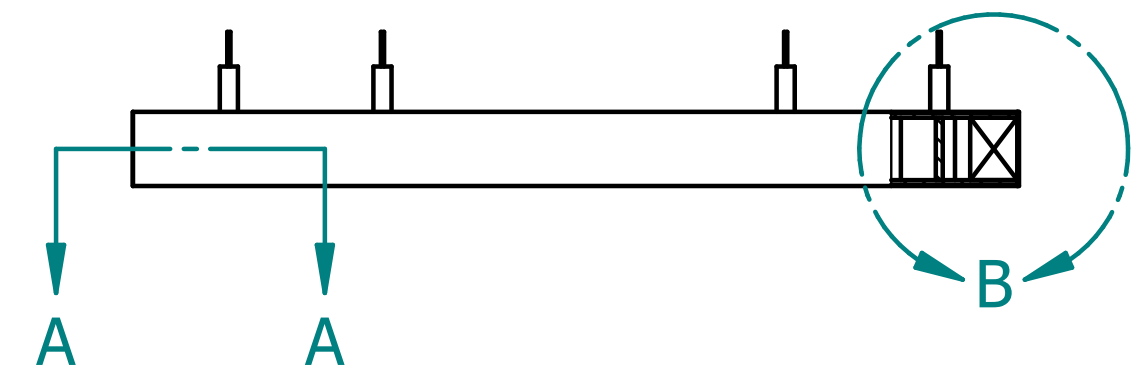
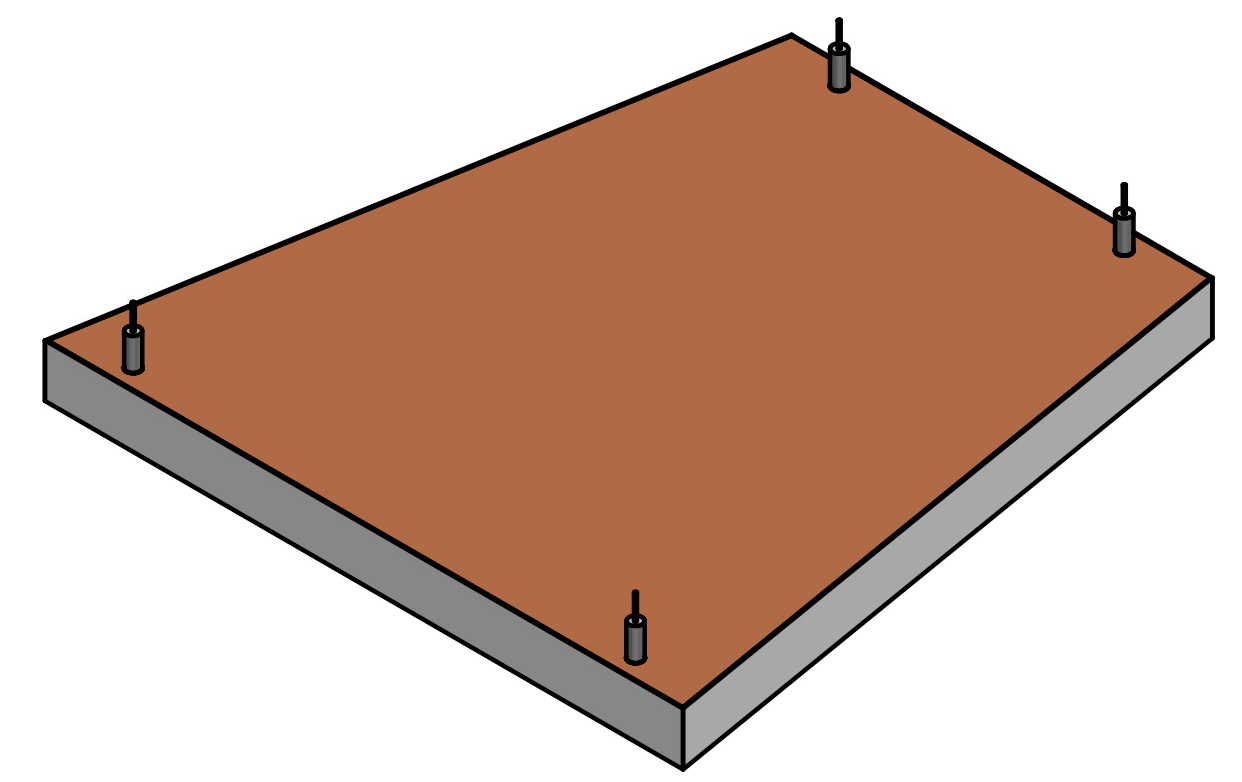
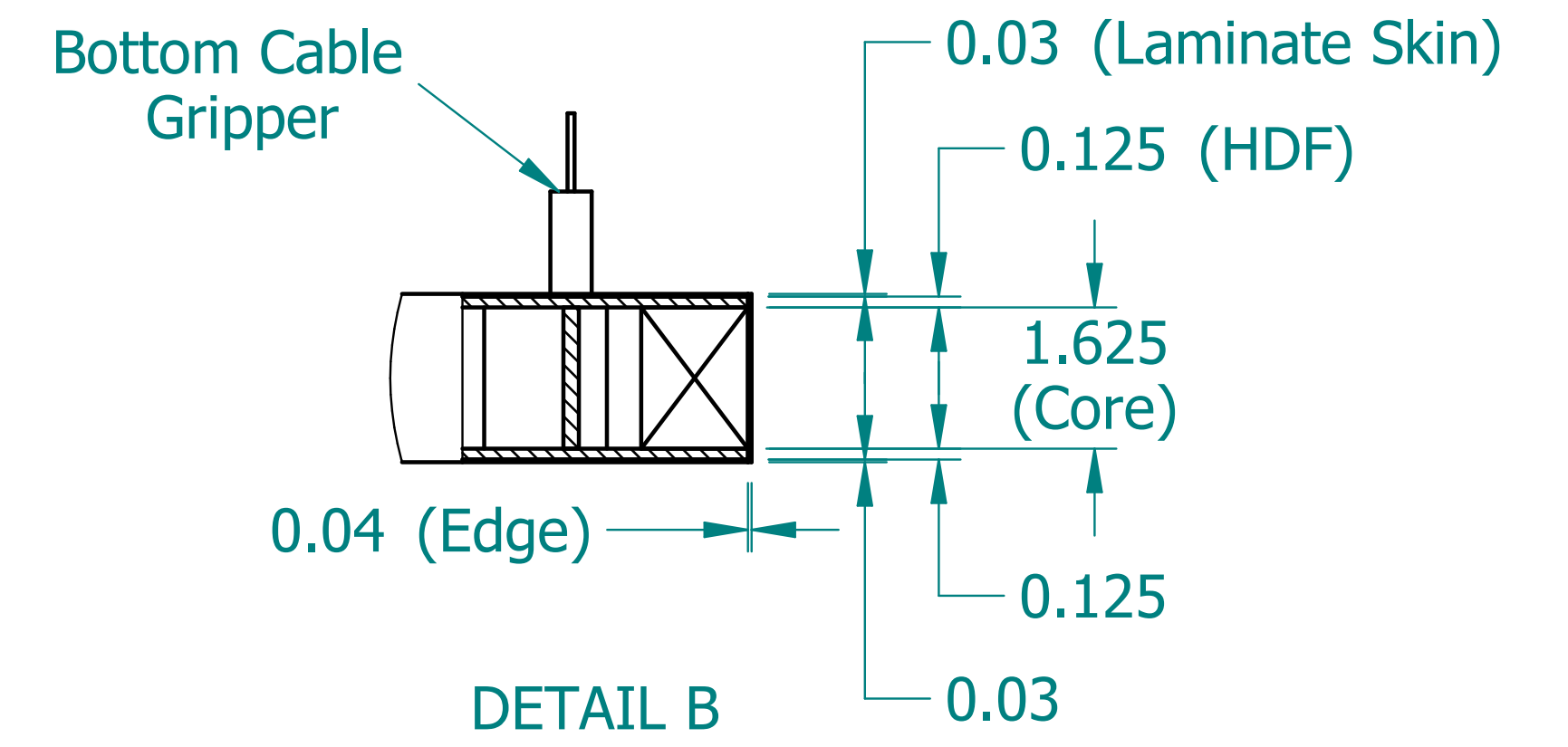
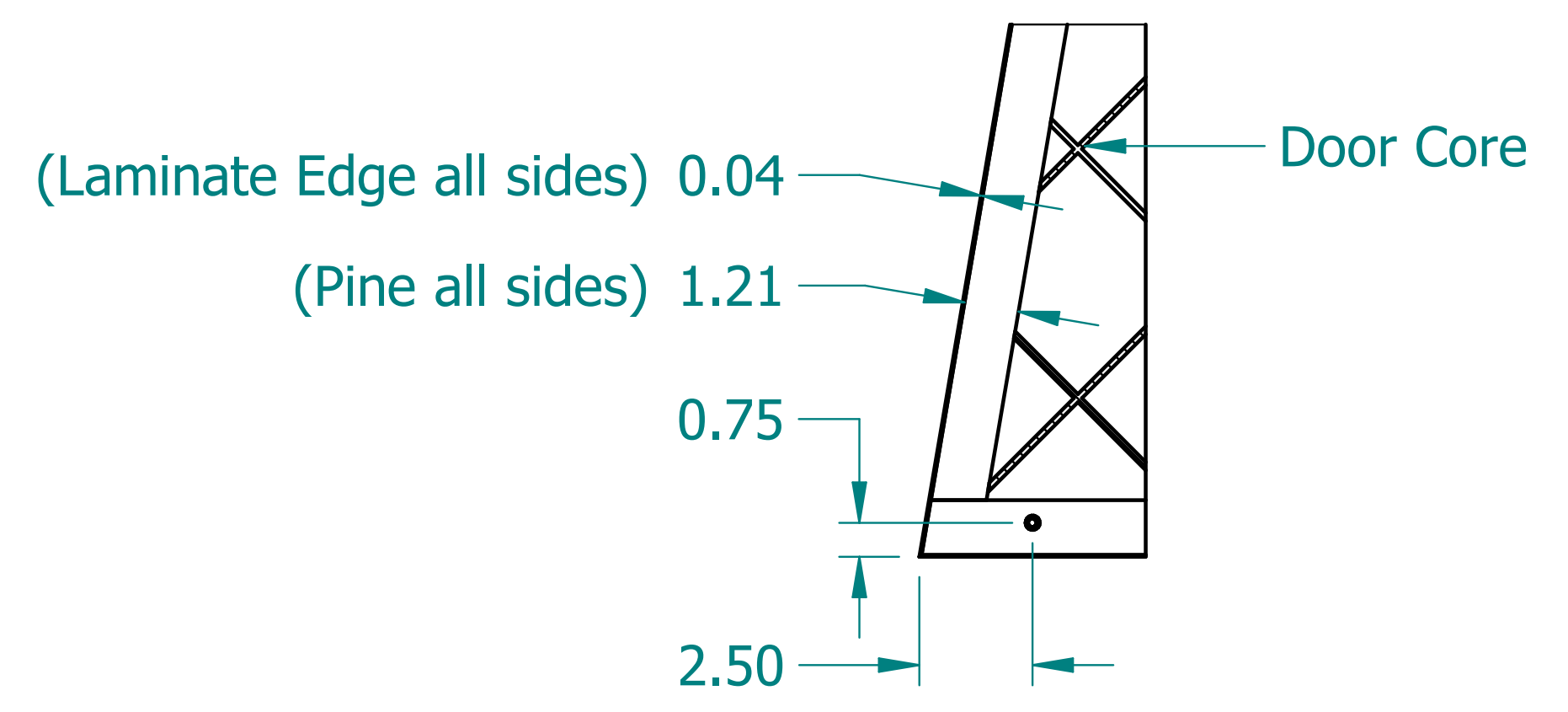


| REVISION HISTORY | | | |
|------------------|-------------|------|----------|
| REV. | DESCRIPTION | DATE | APPROVED |
| | | | |



SECTION A-A



| | NAME | DATE |
|----------|------|----------|
| DRAWN | SAI | 05/01/20 |
| ENG APPR | ERIC | 05/01/20 |



UNLESS OTHERWISE SPECIFIED DIMENSIONS ARE IN 'INCHES'
 ANGLES $\pm 0.8^\circ$; 2 PL ± 0.040 ;
 3 PL ± 0.020

| | | |
|---|-------------|--------------|
| TITLE Laminate Shape: Trapezoid | | |
| SUBTITLE 24"x24"x2" | | |
| PART NO: Shape-4-01-XX | REV. 1.0 | |
| SIZE: 34"x22" | SCALE: 0.20 | SHEET 1 OF 1 |
| FILE NAME: Laminate Trapezoid (24.24.2).dft | | |