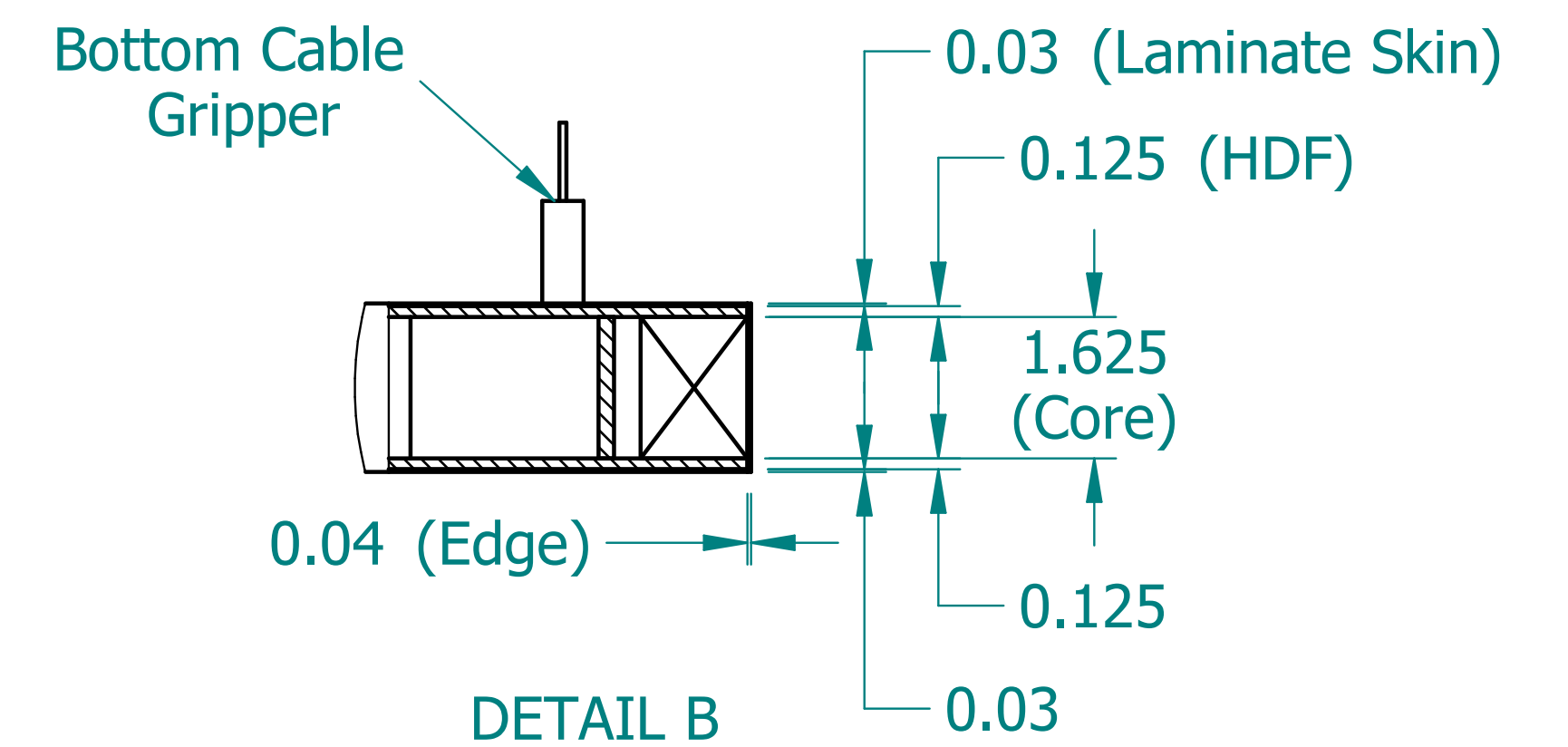
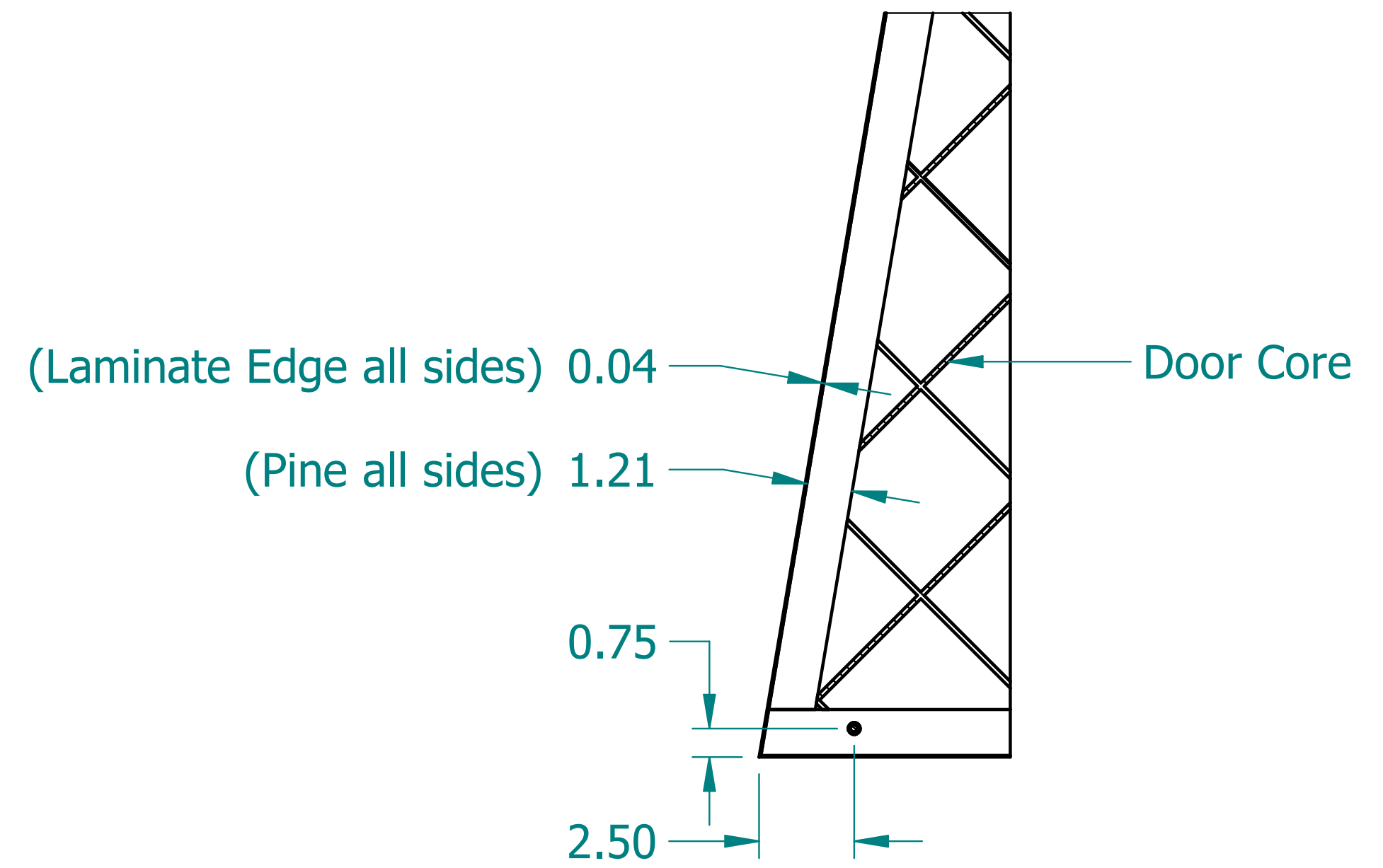


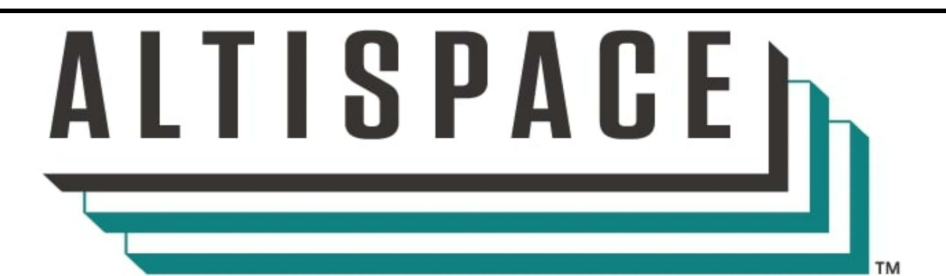
REVISION HISTORY			
REV.	DESCRIPTION	DATE	APPROVED

SECTION A-A



DETAIL B

	NAME	DATE
DRAWN	SAI	05/01/20
ENG APPR	ERIC	05/01/20



UNLESS OTHERWISE SPECIFIED DIMENSIONS ARE IN 'INCHES'
 ANGLES $\pm 0.8^\circ$; 2 PL ± 0.040 ; 3 PL ± 0.020

TITLE Laminate Shape: Trapezoid		
SUBTITLE 42"x42"x2"		
PART NO: Shape-4-04-XX	REV. 1.0	
SIZE: 34"x22"	SCALE: 0.17	SHEET 1 OF 1
FILE NAME: Laminate Trapezoid (42.42.2).dft		