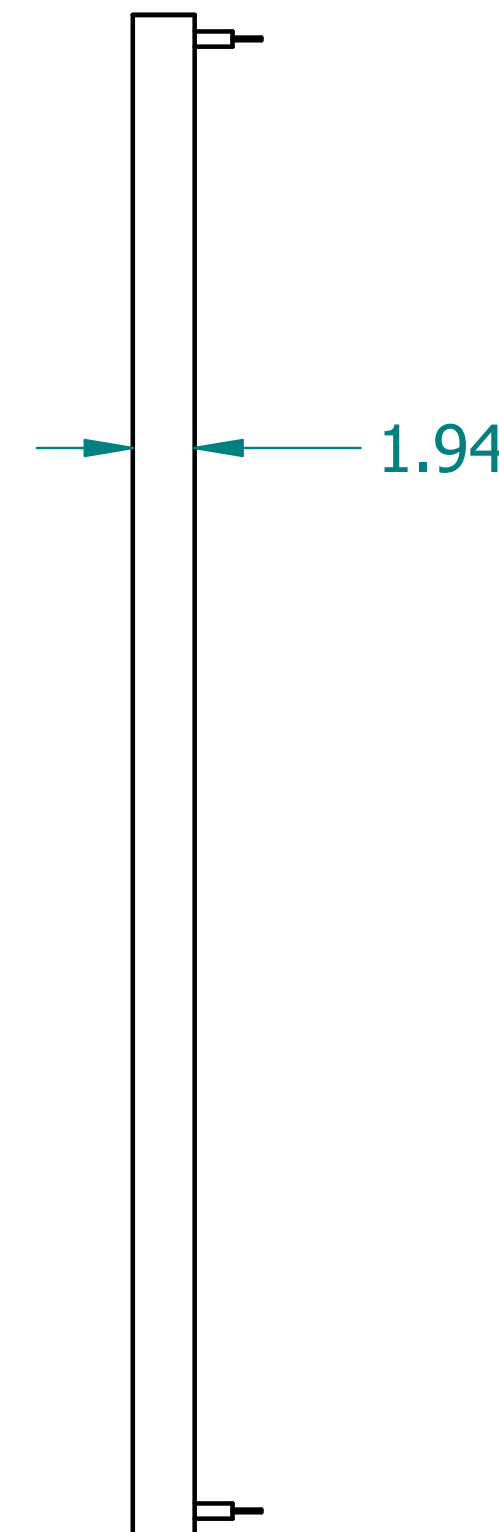
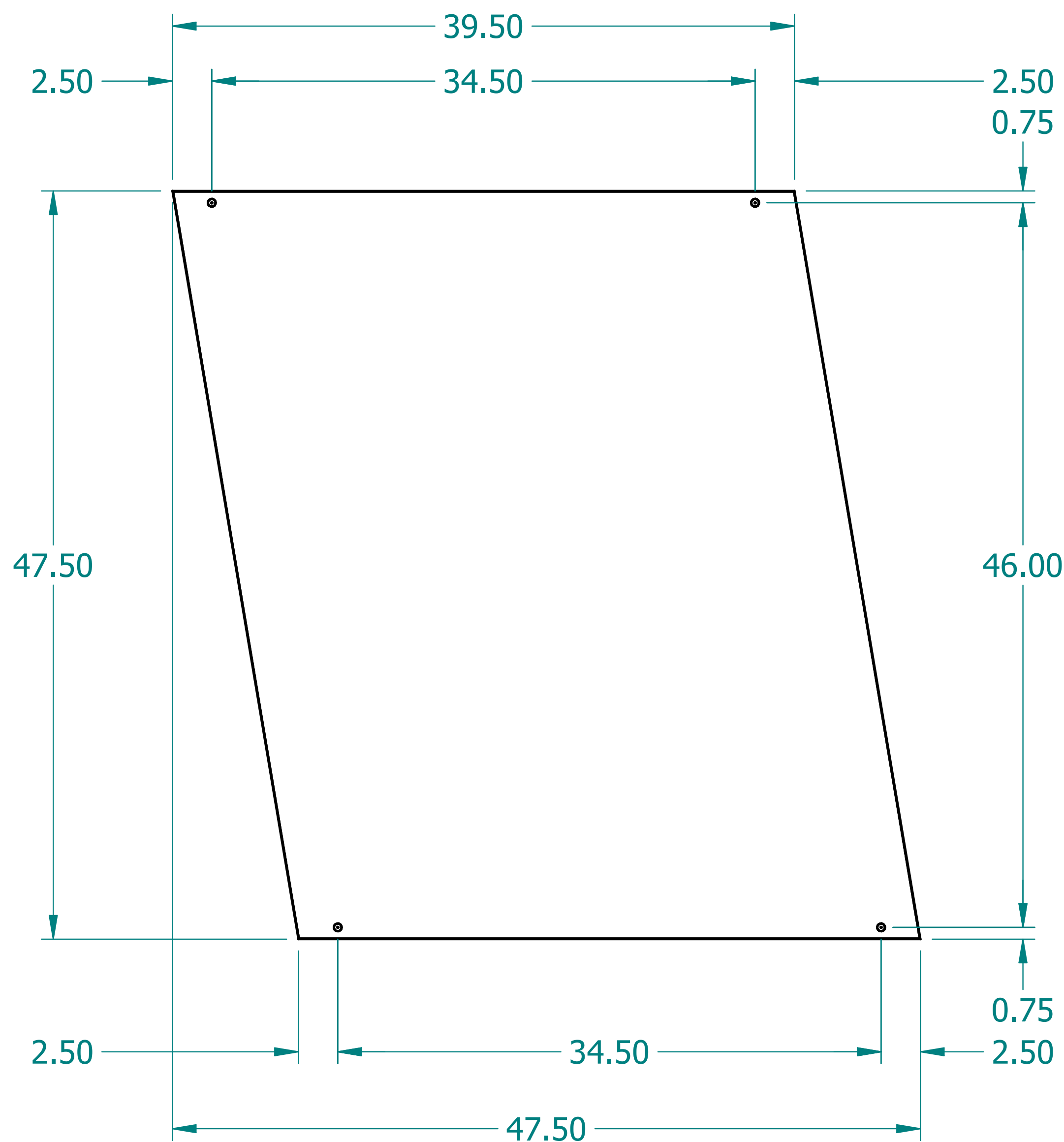
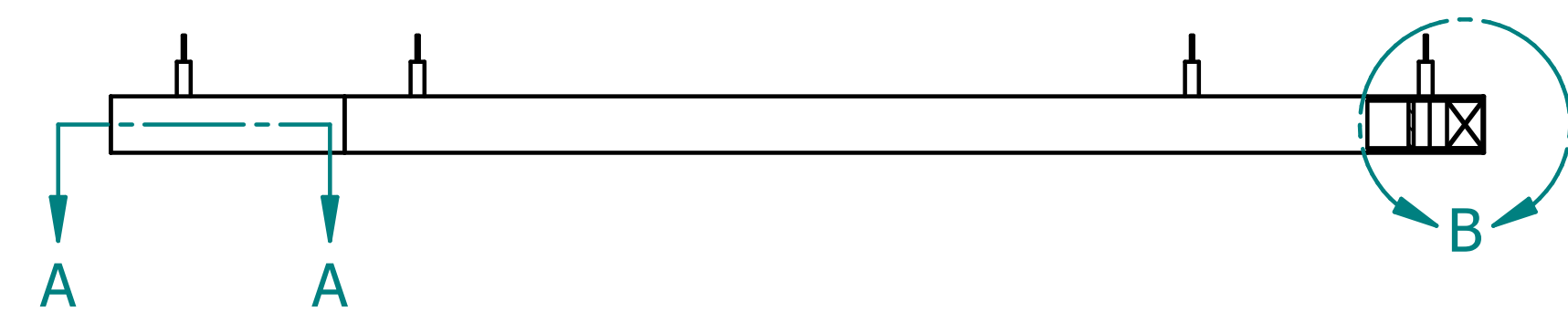
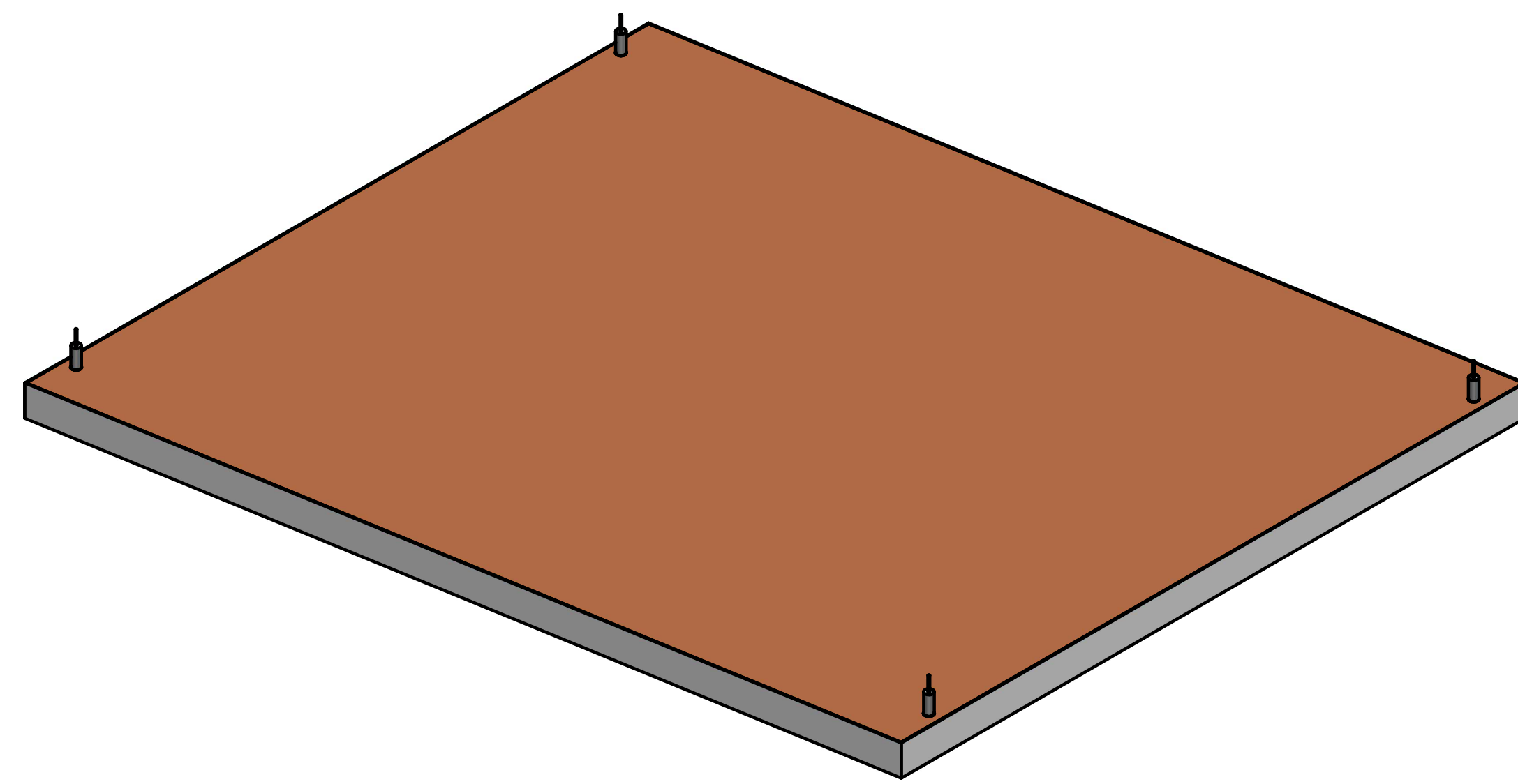
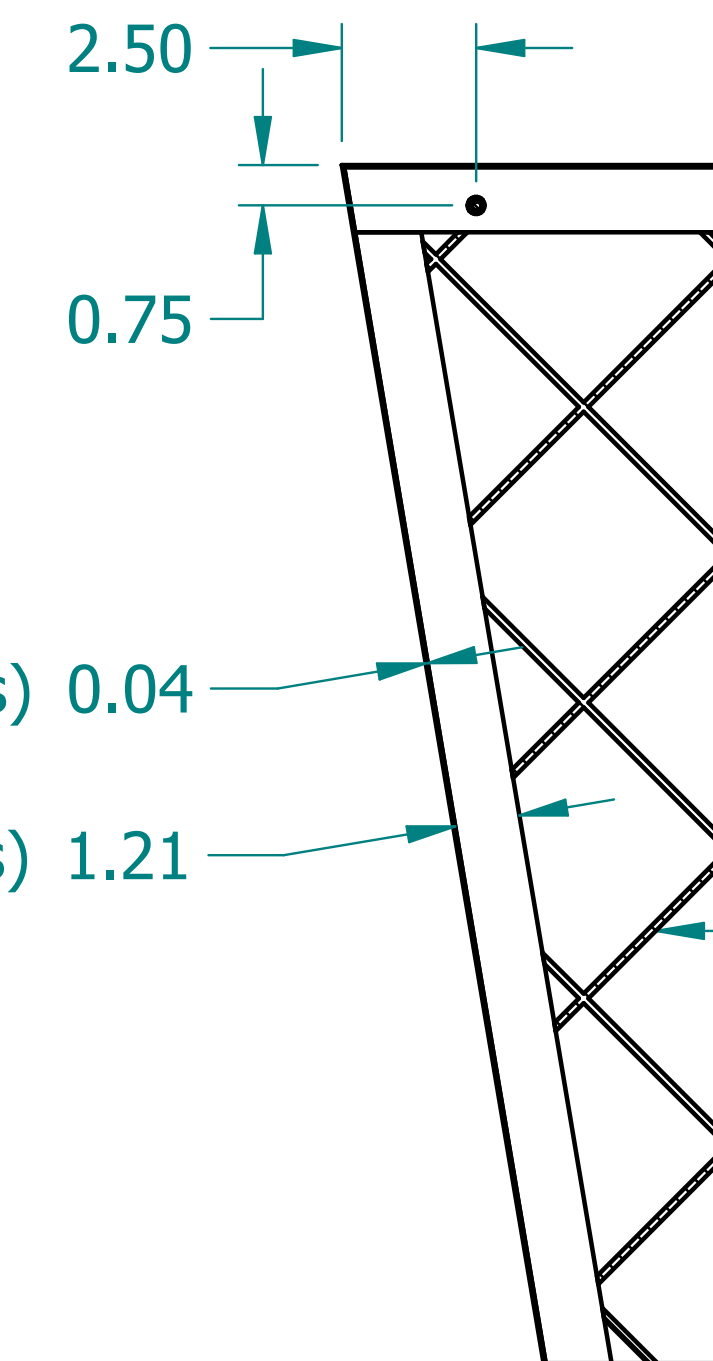


REVISION HISTORY

REV.	DESCRIPTION	DATE	APPROVED



SECTION A-A

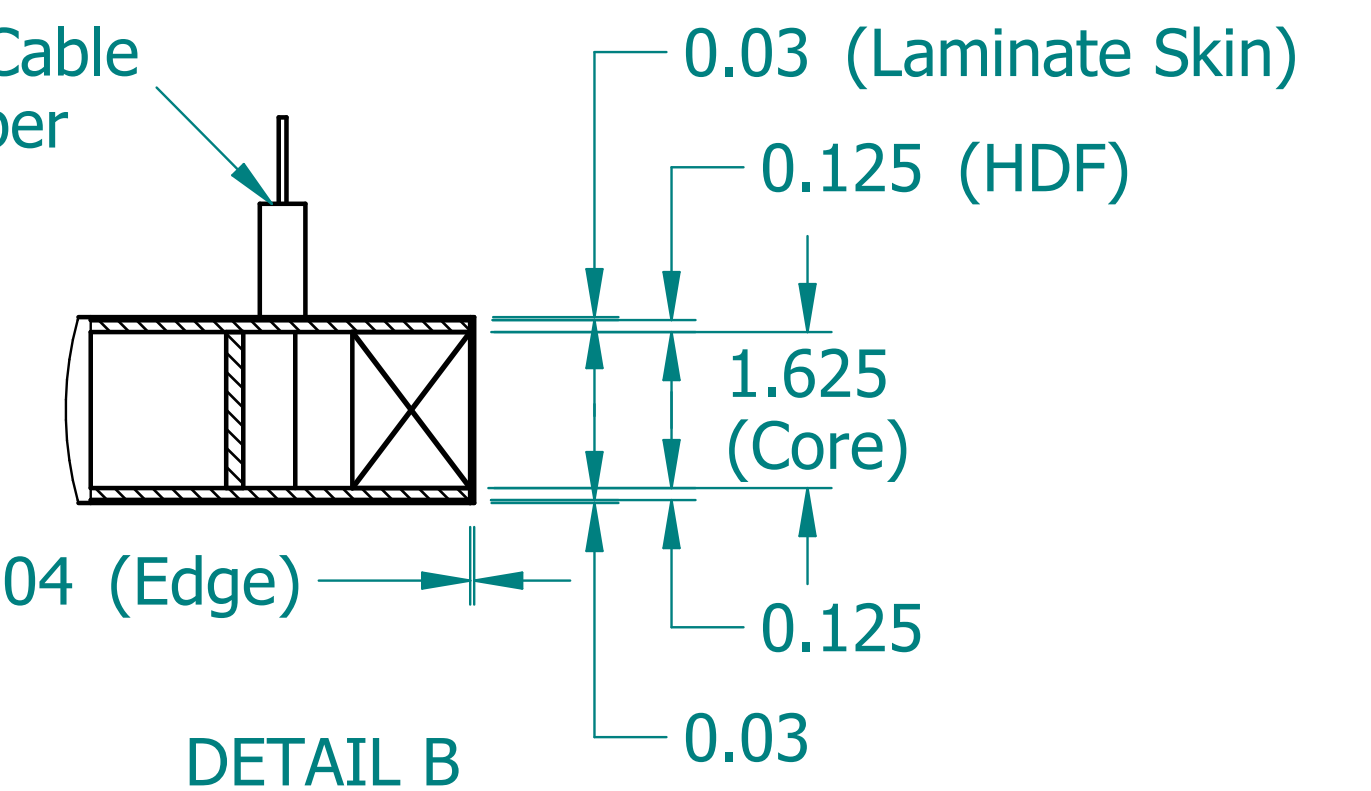


(Laminate Edge all sides) 0.04

(Pine all sides) 1.21

Door Core

Bottom Cable Gripper

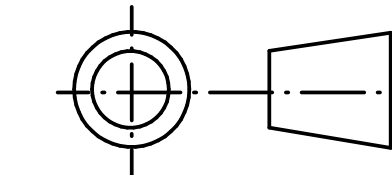


DETAIL B

	NAME	DATE
DRAWN	SAI	05/05/20
ENG APPR	ERIC	05/05/20



TITLE Laminate Shape: Left Parallelogram		
SUBTITLE 48"x48"x2		
PART NO: Shape-5-05-XX	REV. 1.0	
SIZE: 34"x22"	SCALE: 0.17	SHEET 1 OF 1
FILE NAME: Left Parallelogram (48.48.2).dft		



UNLESS OTHERWISE SPECIFIED DIMENSIONS ARE IN 'INCHES'
 ANGLES $\pm 0.8^\circ$; 2 PL ± 0.040 ;
 3 PL ± 0.020