

BEAMS & ACOUSTIC BLADES

INSTALLATION GUIDE

INDEX

Beams & Acoustic Blades Installation Guide	Pages 2 to 6
General Unistrut Installation Guide	Pages 7 to 8

BEAMS & ACOUSTIC BLADES

INSTALLATION GUIDE

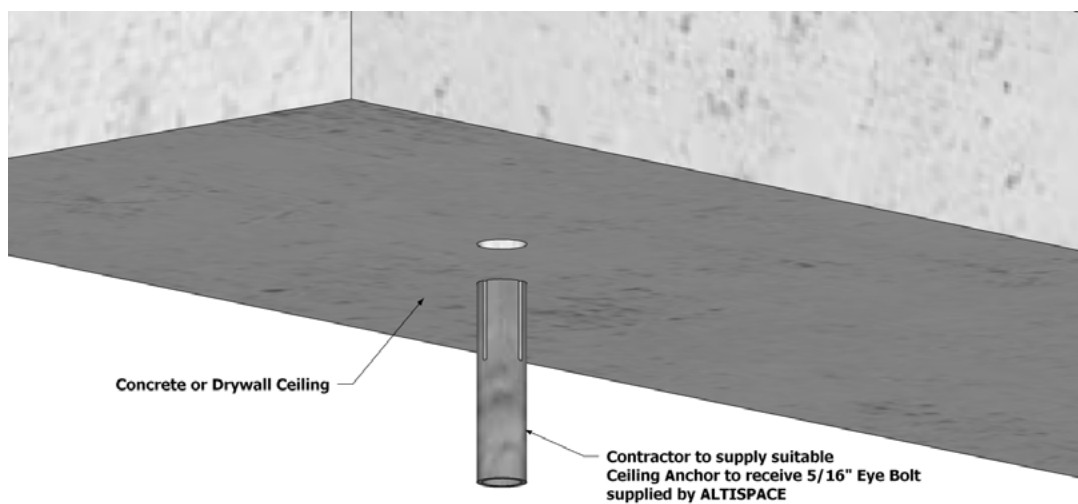
STEP 1

Remove products from protective packaging and review instruction manual and ceiling layout.

STEP 2

Layout and install ceiling connection hardware according to ceiling layout..

- **Contractor** is responsible for supply and installation of ceiling connection hardware.
- It is the responsibility of the **Contractor** to ensure ceilings are adequately reinforced to support fixture weight.
- **Altispace** is not liable for inadequately reinforced ceilings.

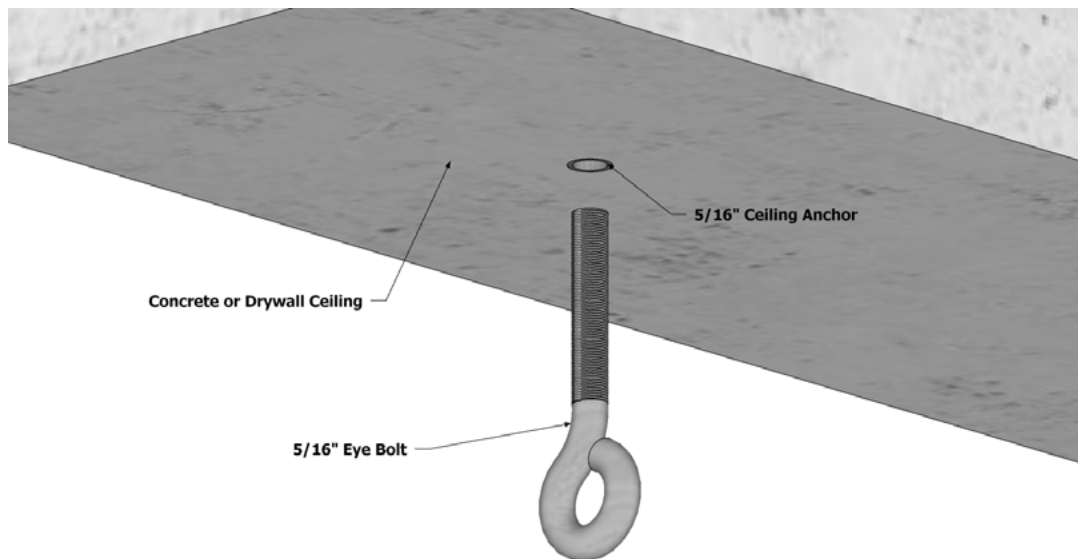


BEAMS & ACOUSTIC BLADES

INSTALLATION GUIDE

STEP 3

Screw 5/16" Eye Bolt into Ceiling Anchor.

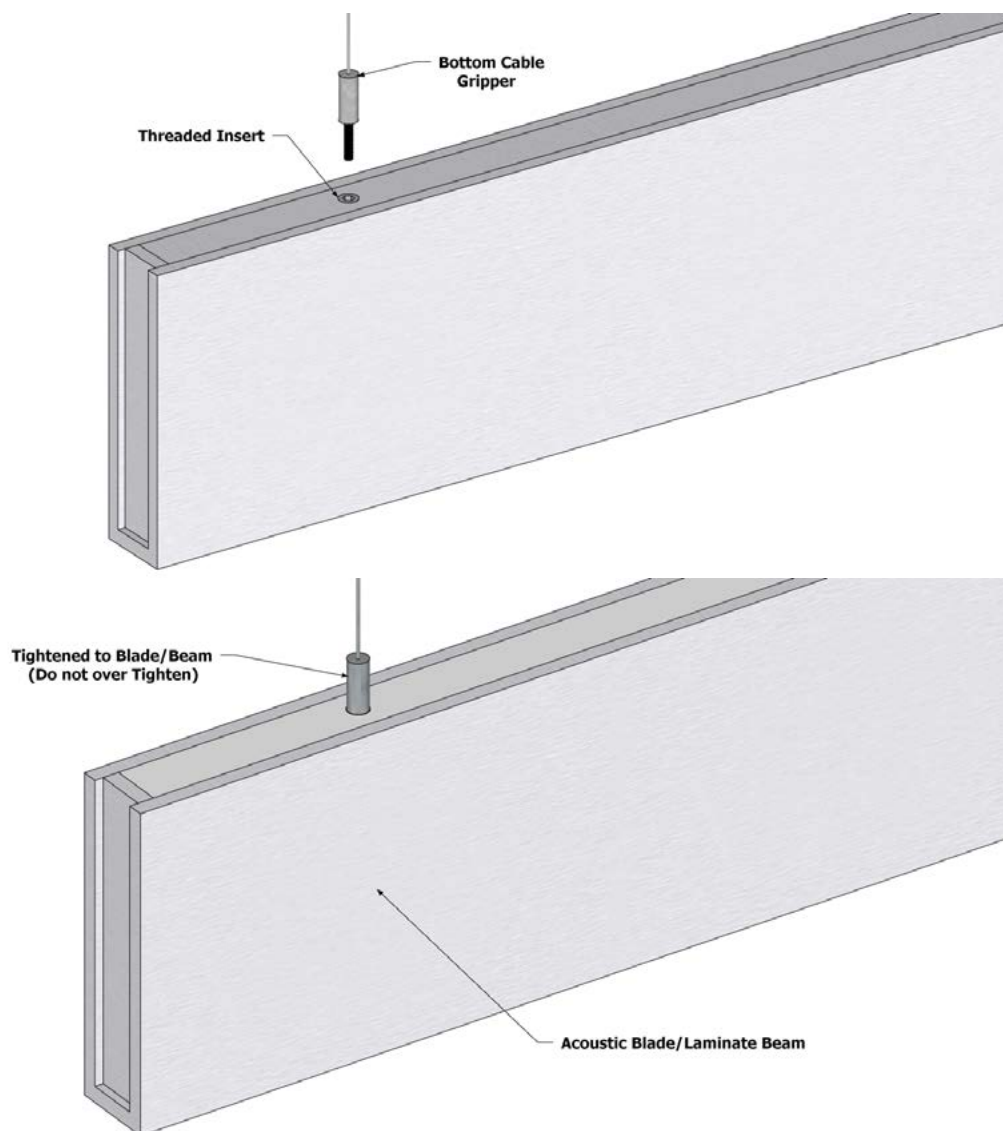


BEAMS & ACOUSTIC BLADES

INSTALLATION GUIDE

STEP 4

Install the threaded bottom cable gripper into the insert provided on top side of the Acoustic Blade/ Laminate Beam and tighten. **CAUTION: Do not over tighten.**

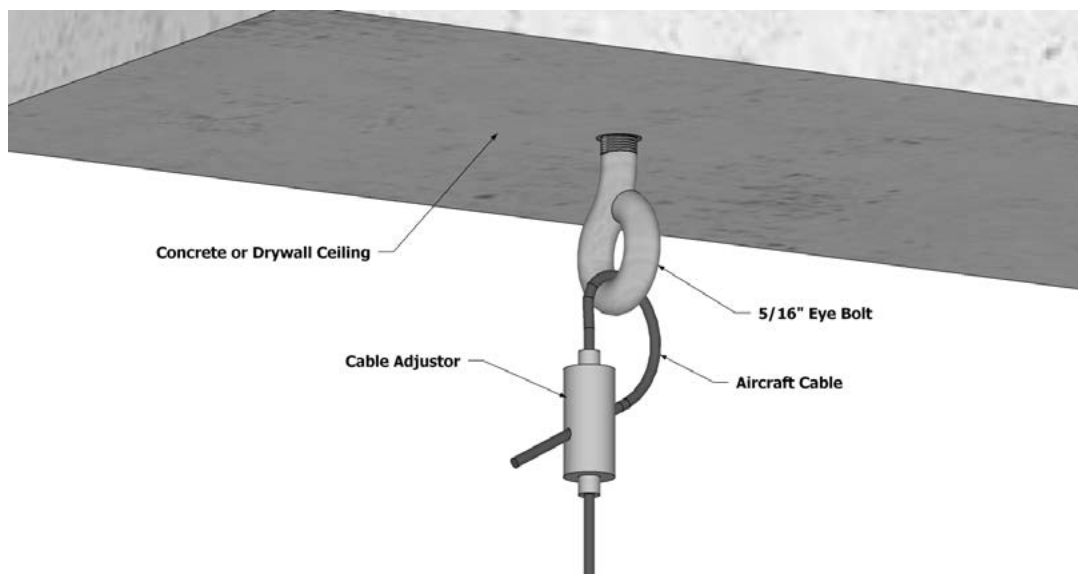


BEAMS & ACOUSTIC BLADES

INSTALLATION GUIDE

STEP 5

Insert aircraft cable through the ceiling connection hardware and loop cable back through the cable adjustor.

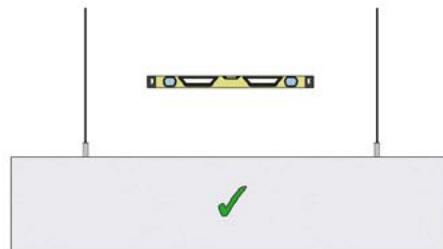
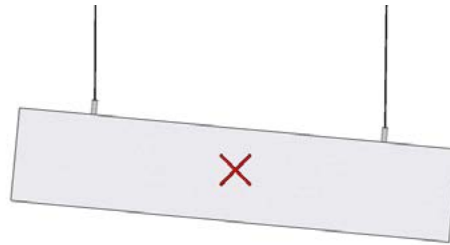
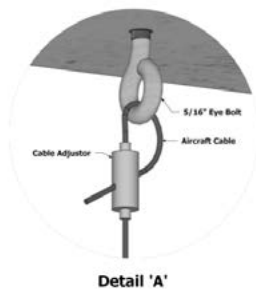


BEAMS & ACOUSTIC BLADES

INSTALLATION GUIDE

STEP 6

Adjust the cables by pulling the cable through the cable adjuster (**detail 'A'**) to ensure the Acoustic Blade/ Laminate Beam is level at specified ceiling height.



STEP 7

Your Acoustic Blade/Laminate Beam is hung!

UNISTRUT

INSTALLATION GUIDE

STEP 1

Review instruction manual and ceiling layout.

STEP 2

Layout and install fasteners in ceiling to support Unistrut suspension system.

- Contractor is responsible to ensure sufficient hanging points are provided to support Unistrut suspension system.
- Altispace is not responsible if contractor provides insufficient support to hang the system, please direct any questions as to product weight and any other technical advice to our team. Contact us at 226-636-5965 or email us at info@altispace.com
- Contractor is responsible for supply of materials and installation from the Unistrut to the ceiling deck.

STEP 3

Hang unistrut system from contractor supplied suspension points, join unistrut with hardware supplied as per images.



STEP 4

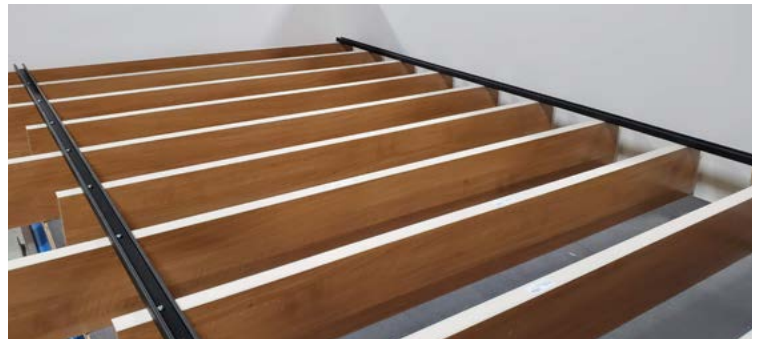
Level Unistrut system across entire plane of ceiling layout.

UNISTRUT

INSTALLATION GUIDE

STEP 5

As per the ceiling layout provided, layout every beam based on the supplied label corresponding with part number and locaton.



STEP 6

- Insert a bolt through the pre-drilled holes in the Unistrut into the threaded inserts on the tops of the beams.
- Tighten bolts snugly, be careful not to overtighten.

