



ACOUSTIC FINNS INSTALLATION GUIDE



AIRCRAFT CABLE INSTALLATION GUIDE

STEP 1

Remove product from the protective packaging and review the instruction manual and ceiling layout.

STEP 2

Layout and install ceiling connection hardware according to ceiling layout.

- Contractor is responsible for the supply and installation of ceiling connection hardware.
- It is the responsibility of the Contractor to ensure ceilings are adequately reinforced to support fixture weight. Please direct any questions as to product weight and any other technical adviceto our team. Contact us at [226-636-5965](tel:226-636-5965) or email us at info@altispace.com
- Altispace is not liable for inadequately reinforced ceilings.
- Ceiling attachment method specified at time of ordering.

CEILING ATTACHMENT METHODS



T-BAR
T-Bar Clip With 1/4-20 Threaded Stud Supplied by Contractor



EYE BOLT
Eye Bolt Supplied by Contractor



SURFACE MOUNT
Cable Gripper Supplied by Altispace



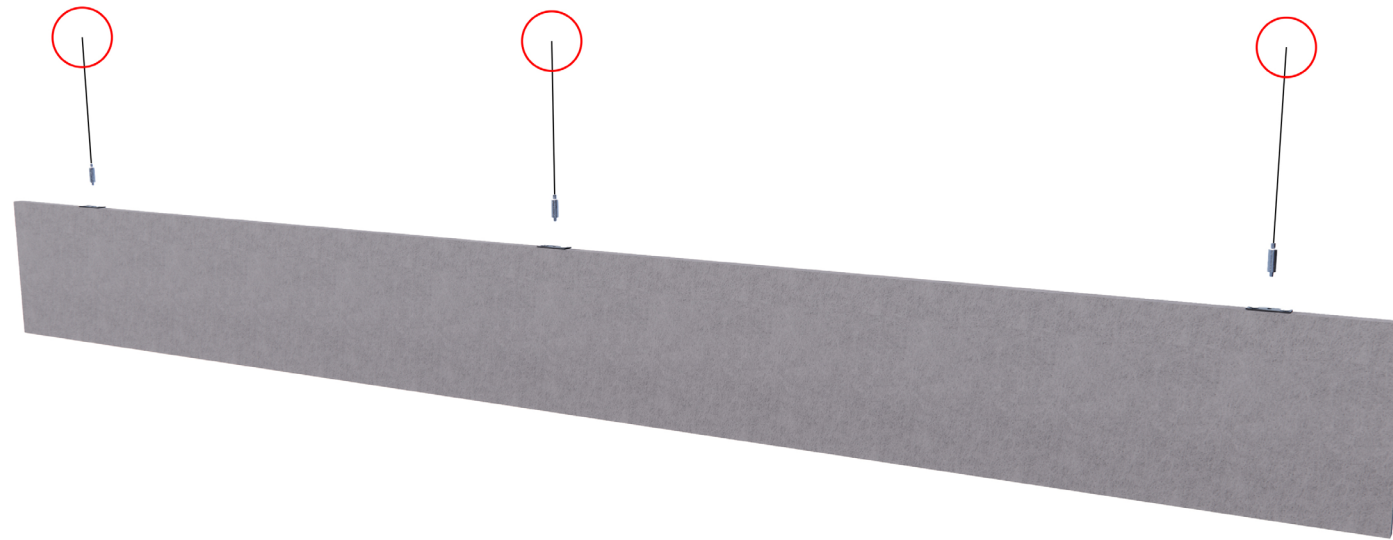
1/4-20 Threaded Cable Gripper Supplied by Altispace



Cable Gripper Supplied by Altispace



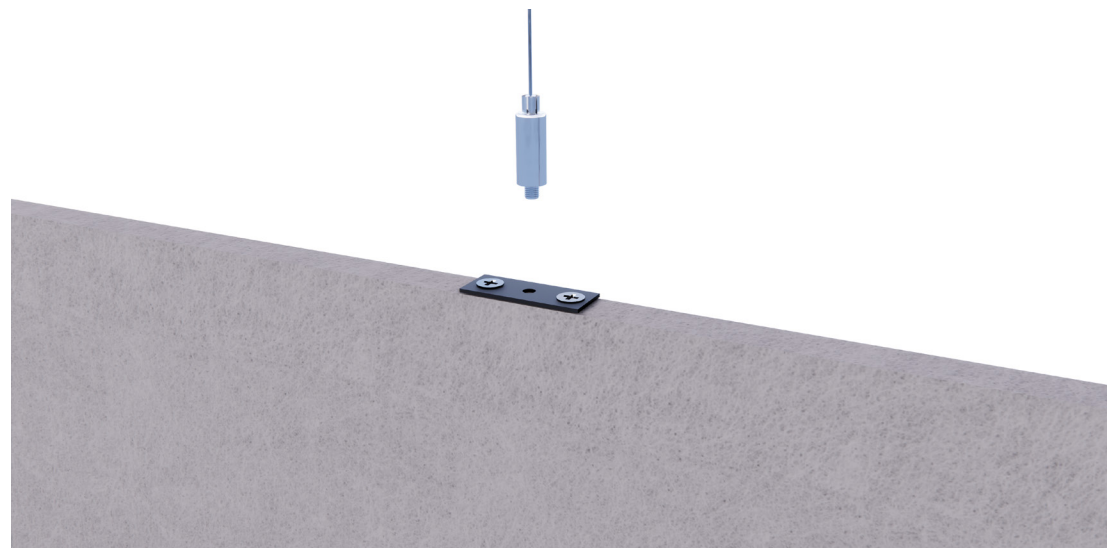
CONNECT YOUR CEILING ATTCHMENTS HERE (USE T-BAR OR EYE BOLT OR SURFACE MOUNT METHOD)



STEP 3

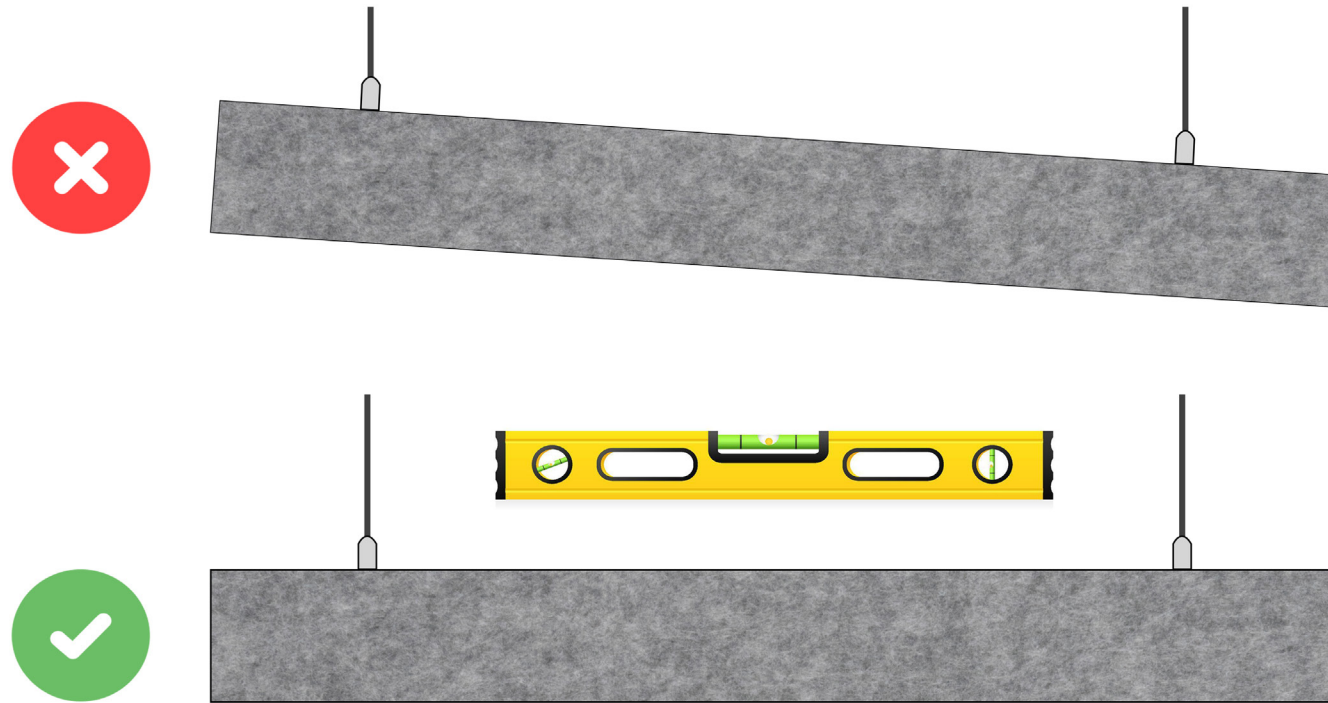
Install the threaded bottom cable gripper into the bracket provided on top of the Acoustic Fin, and tighten.

CAUTION: DO NOT OVER TIGHTEN.



STEP 4

Adjust the cables by pulling the cable through the cable adjustor to ensure the Acoustic Fin is level at the specified ceiling height.



STEP 5

Your Acoustic Fins are now installed!

UNISTRUT INSTALLATION GUIDE

STEP 1

Remove product from the protective packaging and review the instruction manual and ceiling layout.

STEP 2

Layout and install ceiling connection hardware according to ceiling layout.

- Contractor is responsible to ensure sufficient hanging points are provided to support Unistrut suspension system.
- Altispace is not responsible if contractor provides insufficient support to hang the system, please direct any questions as to product weight and any other technical advice to our team. Contact us at [226-636-5965](tel:226-636-5965) or email us at info@altispace.com
- Contractor is responsible for supply of materials and installation from the Unistrut to the ceiling deck.

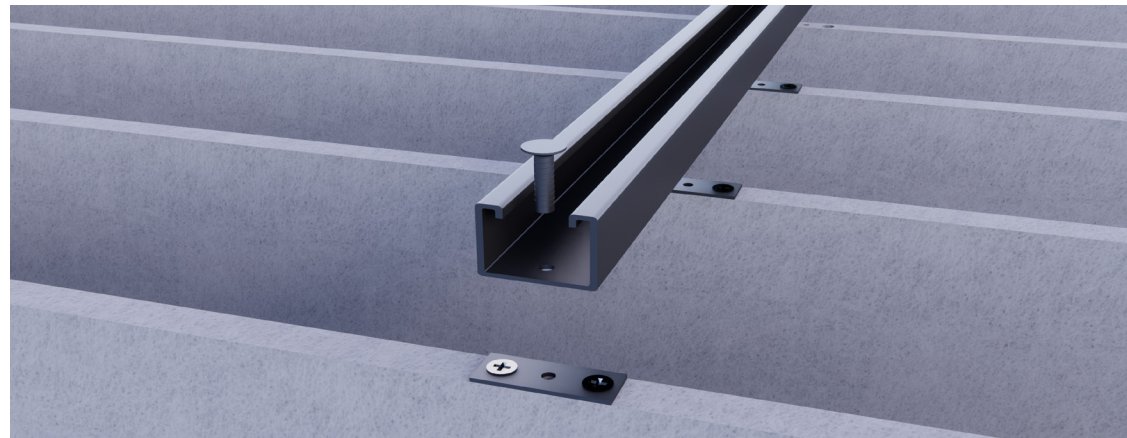
STEP 3

Hang Unistrut system from contractor supplied suspension points. If required, join Unistrut sections with joining hardware supplied by Altispace.

Level Unistrut system across entire plane of ceiling layout.

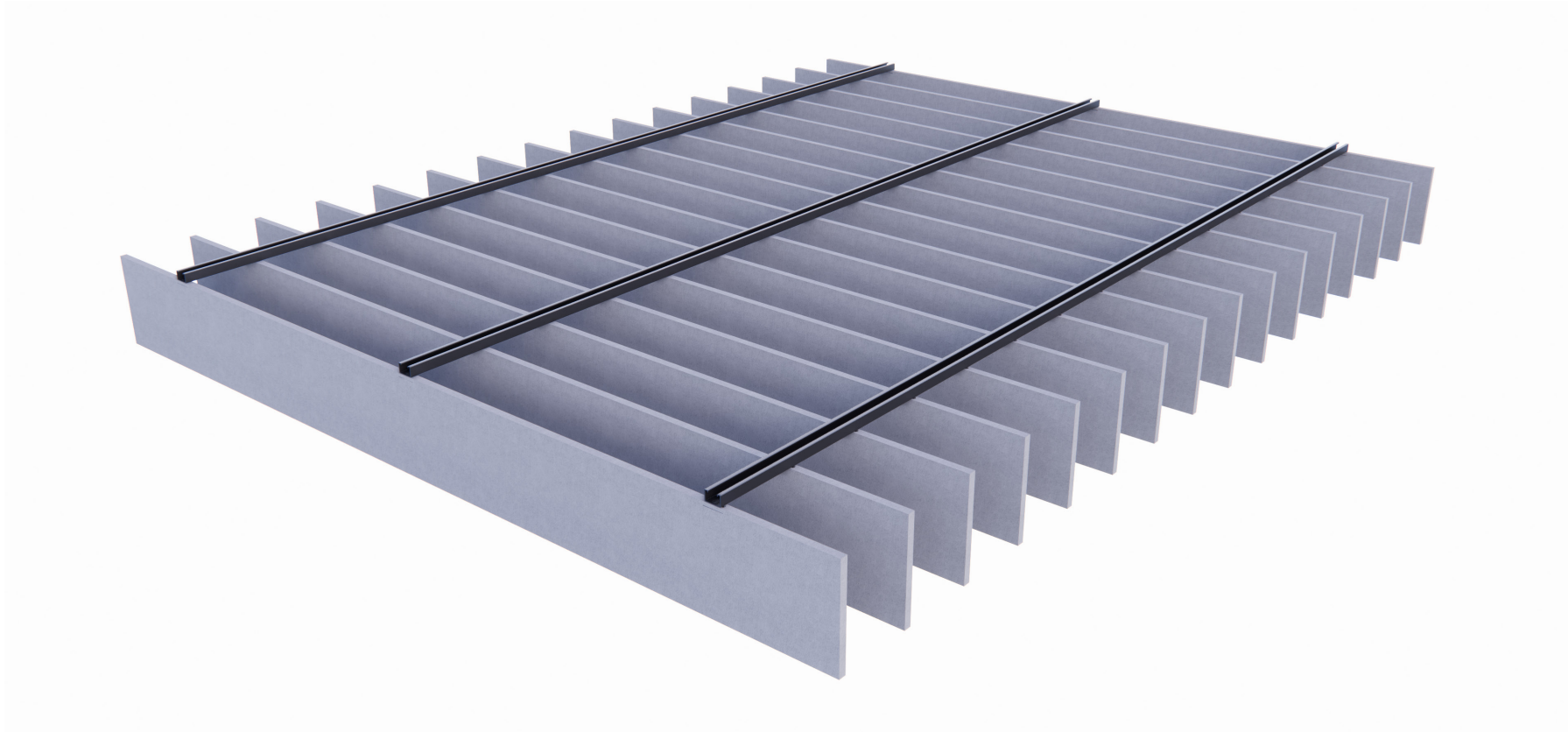
STEP 4

Insert bolts through the pre-drilled holes in the Unistrut, thread the bolt into the bracket provided on top of the Acoustic Fin and tighten. CAUTION: DO NOT OVER TIGHTEN.



STEP 5

Your Acoustic Fins are now installed!



CONTACT US

We value your feedback and are committed to providing excellent customer service. Don't hesitate to contact us, we're here to help you!

Email : info@altispace.com

Phone : 226-636-5965

Website : www.altispace.com

