

BEAMS

These horizontal beams add new dimensions to your cloud space with a lightweight and stylish design that are simple to install



SIZES

Length

- 24 in
- 36 in
- 48 in
- 60 in
- 72 in
- 84 in
- 96 in
- 108 in
- 120 in
- 132 in
- 144 in
- Custom

Height

- 4 in
- 6 in
- 8 in
- 10 in
- 12 in
- Custom

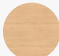

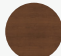

Thickness

- 1.5 in
- 2 in
- Custom

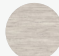
All sizes are nominal. Refer to Drawing files for actual sizes.

LAMINATE COLOR OPTIONS

Traditional

-  10776-60
-  7921-38
-  W138 VL
-  W430 VL

Gray

-  8200K-16
-  7966K-12
-  8210K-28
-  7949K-60

Solid

-  D354-60
-  D315-60
-  D90-60
-  1595-60

Progressive

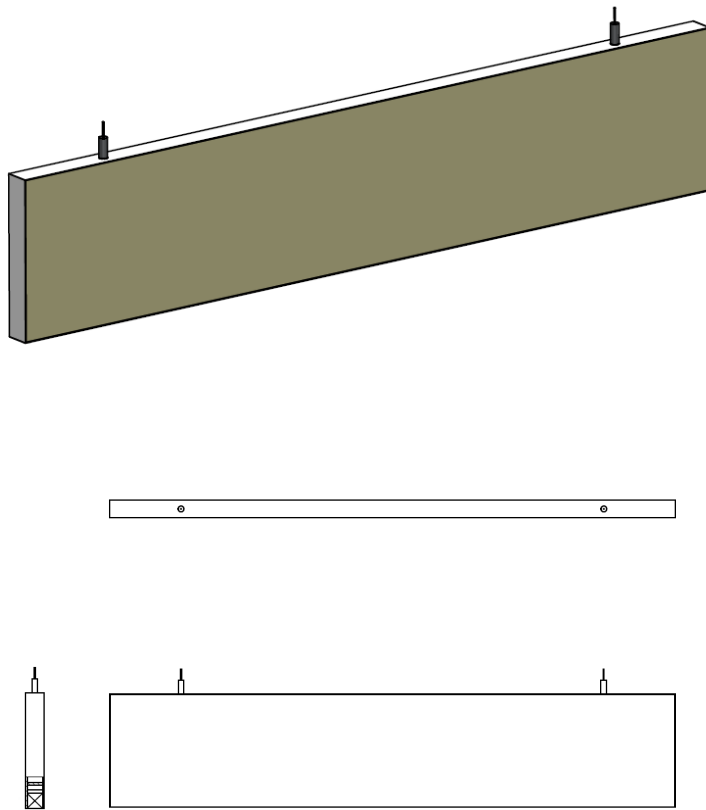
-  W464 EV
-  8208-16
-  W462 EV
-  W459 VL

-  8209-28
-  W475 LE
-  W460 VL
-  7997-38

Note: Colors come in standard HPL laminate finish. Custom colors and finishes are available and may result in a minimal upcharge. Paint-grade finish is also available.

BEAMS

These horizontal beams add new dimensions to your cloud space with a lightweight and stylish design that are simple to install



FEATURES

Our beams are simple to specify and simple to install. Available in 72 standard sizes and 21 standard color options, you can create the perfect solution for your project.

If you have a specific size or color request, customize it! Use our product selector on our website to tell us what color or size you are looking for, and we can help you make your own beams.

- Made with lightweight panel technology
- Made using eco-friendly materials and processes
- Customize your beam with your chosen laminate or veneer
- Easy to install
- Fire rating information available upon request
- Aircraft Cable Suspension hardware is included
- Class A Fire Rating, ASTM E-84 test and CAN/ULC-102



BEAMS

These horizontal beams add new dimensions to your cloud space with a lightweight and stylish design that are simple to install

SPECIFICATIONS

PRODUCT

Name	Altispace Beams
Content	Laminate material, wood frame, fiberboard, honeycomb door core.
Panel Thicknesses	1.5 in, 2 in
Standard Sizes <i>*All sizes are nominal</i>	Lengths: 24 in, 36 in, 48 in, 60 in, 72 in, 84 in, 96 in, 108 in, 120 in, 132 in, 144 in Heights: 4 in, 6 in, 8 in, 10 in, 12 in
Durability	Contract/Commercial
Maintenance	Dust and dirt on the panels and suspension hardware can be removed with a vacuum, and wipe off excess dirt or fingerprints by wiping them with a clean, dry and soft cloth. If this does not fully clean the panel, you can use a clean, damp and soft white cloth or sponge with a mild detergent to wipe down the beams. Refer to the Cleaning and Maintenance document for more details.
Lead Time	Products are made to order and certain lead times will apply.
Environmental	Altispace Beams are made using eco-friendly materials and practices. For more information, contact 226-636-5965.
Custom	Custom sizes and colors are available and may result in a minimal upcharge. Further customization (such as LED lighting integration) are also available at an upcharge.
Variation	Colors of laminate finish on screen may vary from actual product.
Acoustics	Test reports available upon request. Refer to the Acoustic Information document for more details.
Fire Rating	Test reports available upon request. Refer to the Fire Rating Information document for more details.

INSTALL

Suspension Options	1) Aircraft cable (Refer to Suspension Hardware Information) 2) Unistrut System (Refer to Suspension Hardware Information) 3) Flush Mount (Refer to Suspension Hardware Information)
Ceiling Attachment Options for Suspension Cable	By installation contractor
Installation	Refer to Installation Guide for Beams.
Unistrut Installation	Refer to Installation Guide for Beams.

BEAMS

These horizontal beams add new dimensions to your cloud space with a lightweight and stylish design that are simple to install

RECYCLED CONTENT

MATERIAL	PRE-CONSUMER	POST CONSUMER	TOTAL
Dorkor	0%	100%	100%
3mm HDF	90%	0%	90%
F/J Pine Frame	0%	0%	0%
High Pressure Laminate	0%	34%	34%