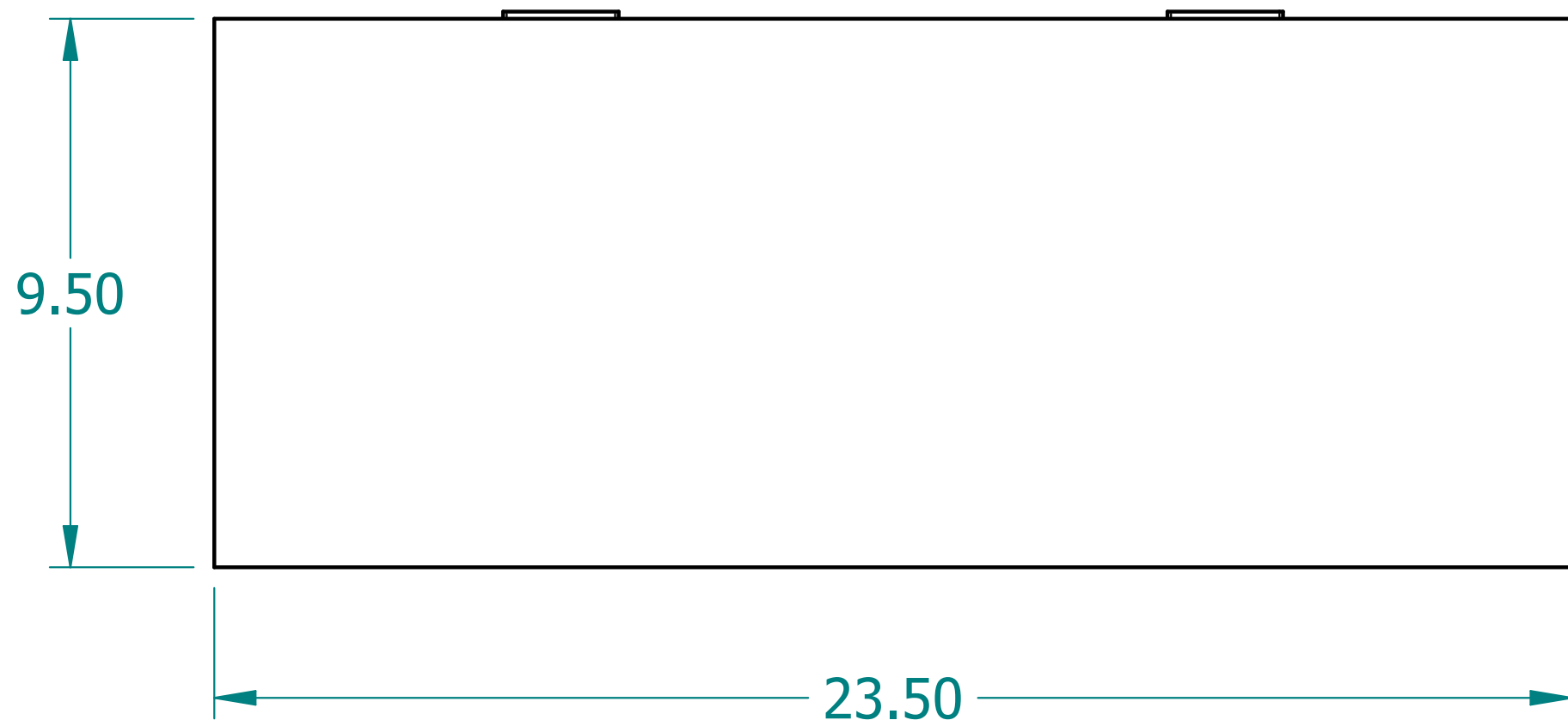
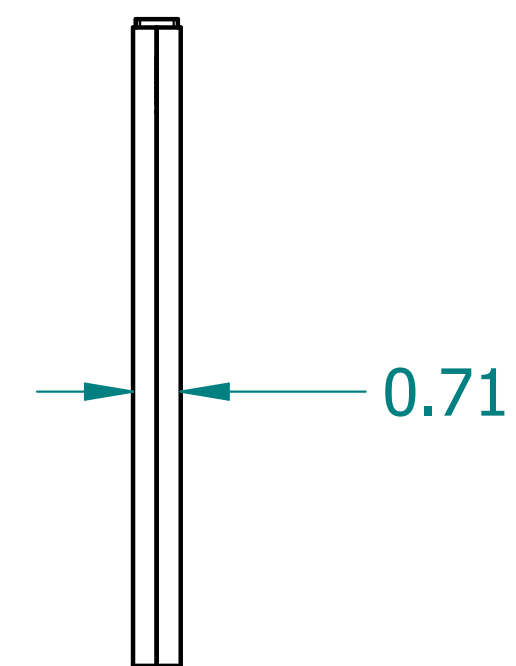
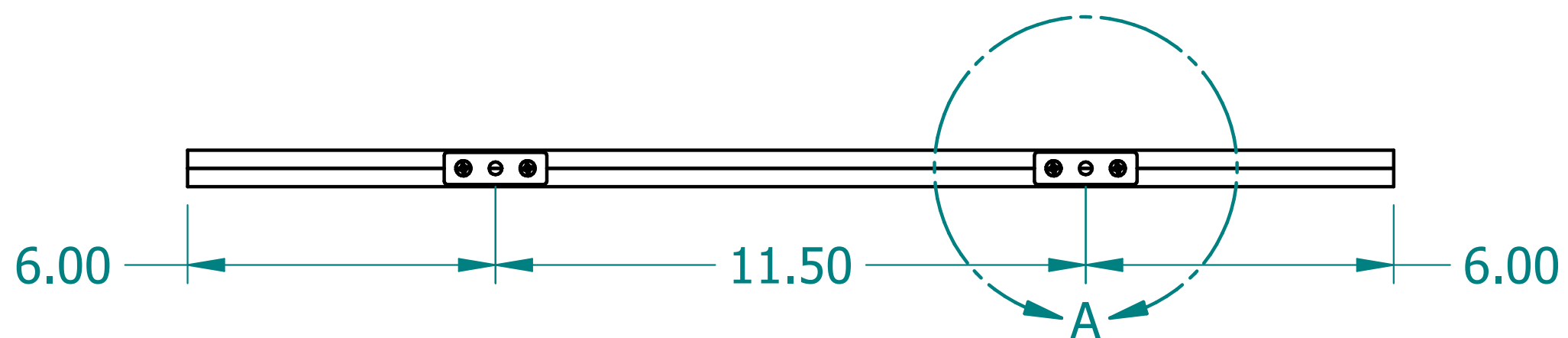
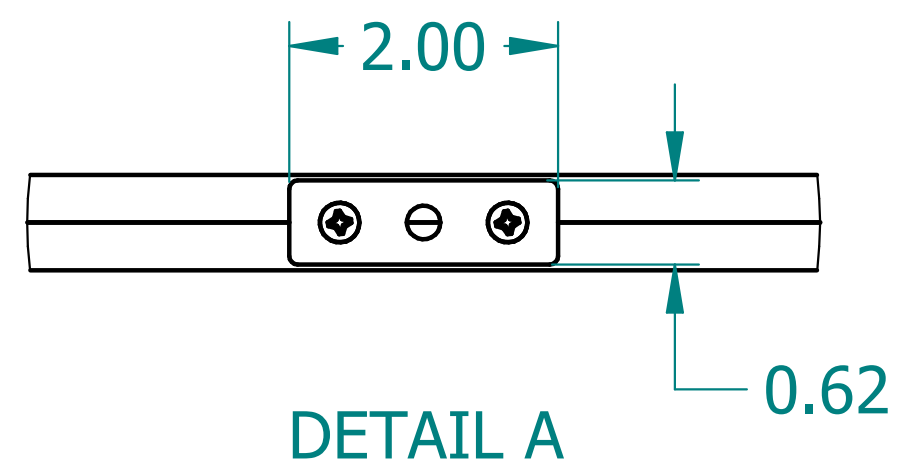
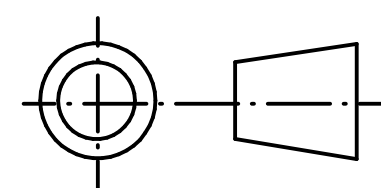


| REVISION HISTORY | | | |
|------------------|-------------|------|----------|
| REV. | DESCRIPTION | DATE | APPROVED |
| | | | |



| | NAME | DATE |
|----------|------|----------|
| DRAWN | CBS | 01/09/24 |
| ENG APPR | CBS | 01/09/24 |



UNLESS OTHERWISE SPECIFIED
DIMENSIONS ARE IN
'INCHES'
ANGLES $\pm 0.8^\circ$; 2 PL ± 0.040 ;
3 PL ± 0.020

| | | |
|---------------------------------------|--------------------|-----------------|
| TITLE Acoustic Fin | | |
| SUBTITLE 24"x10"x18mm | | |
| PART NO: | AFin-ST-003 | REV. 0.0 |
| SIZE: 22"x17" | SCALE: 0.20 | SHEET 1 OF 1 |
| FILE NAME: Acoustic Fin(24.10.18).dft | | |