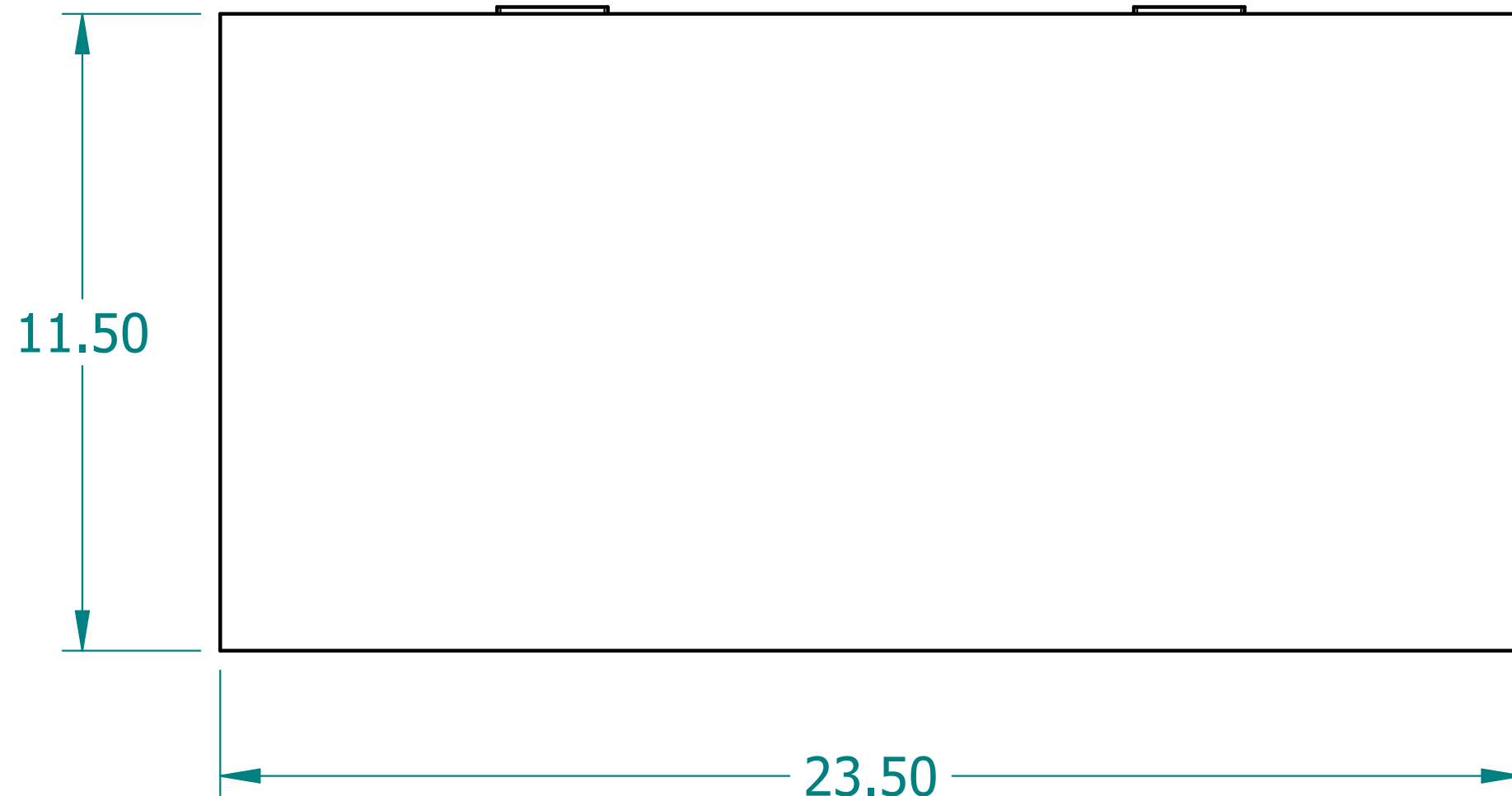
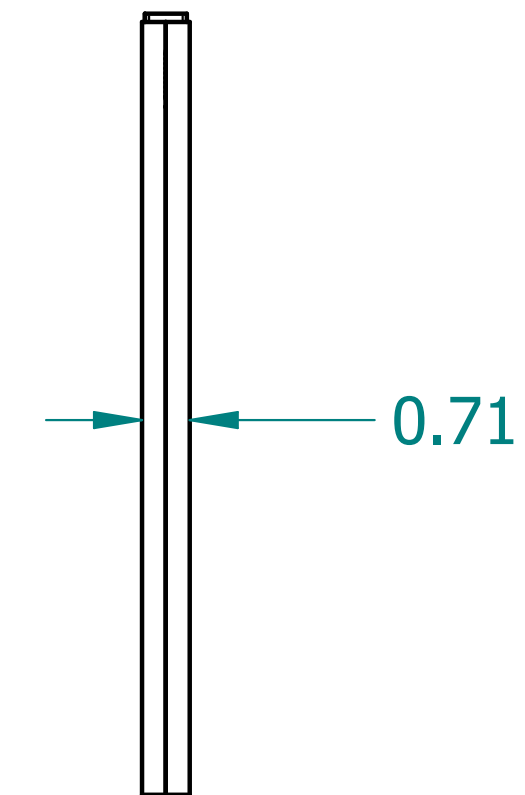
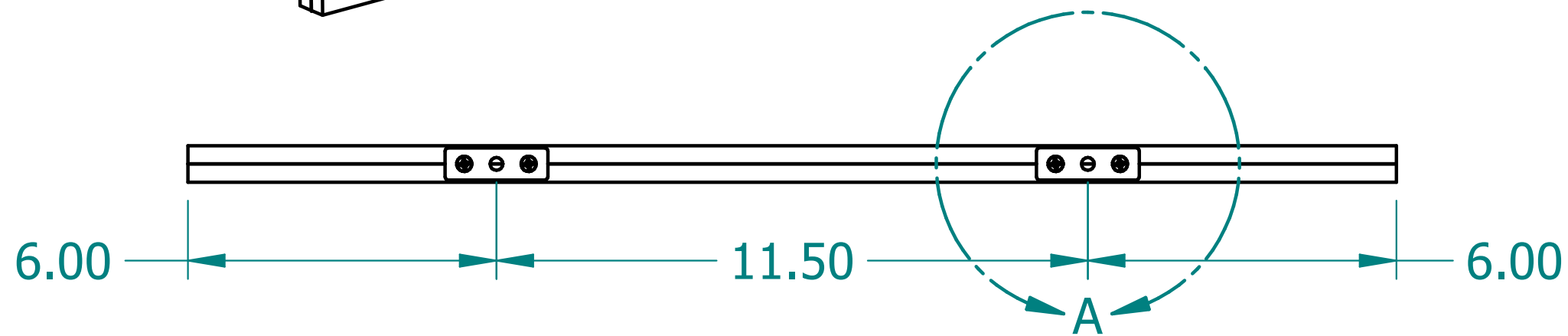
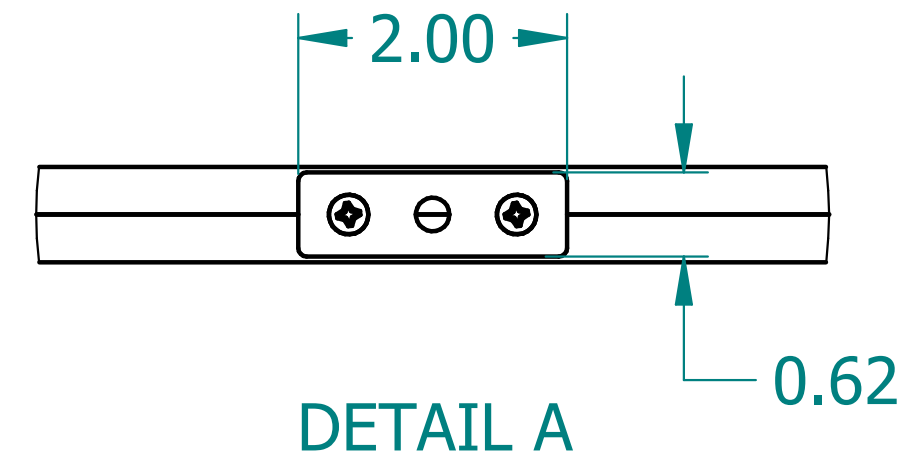
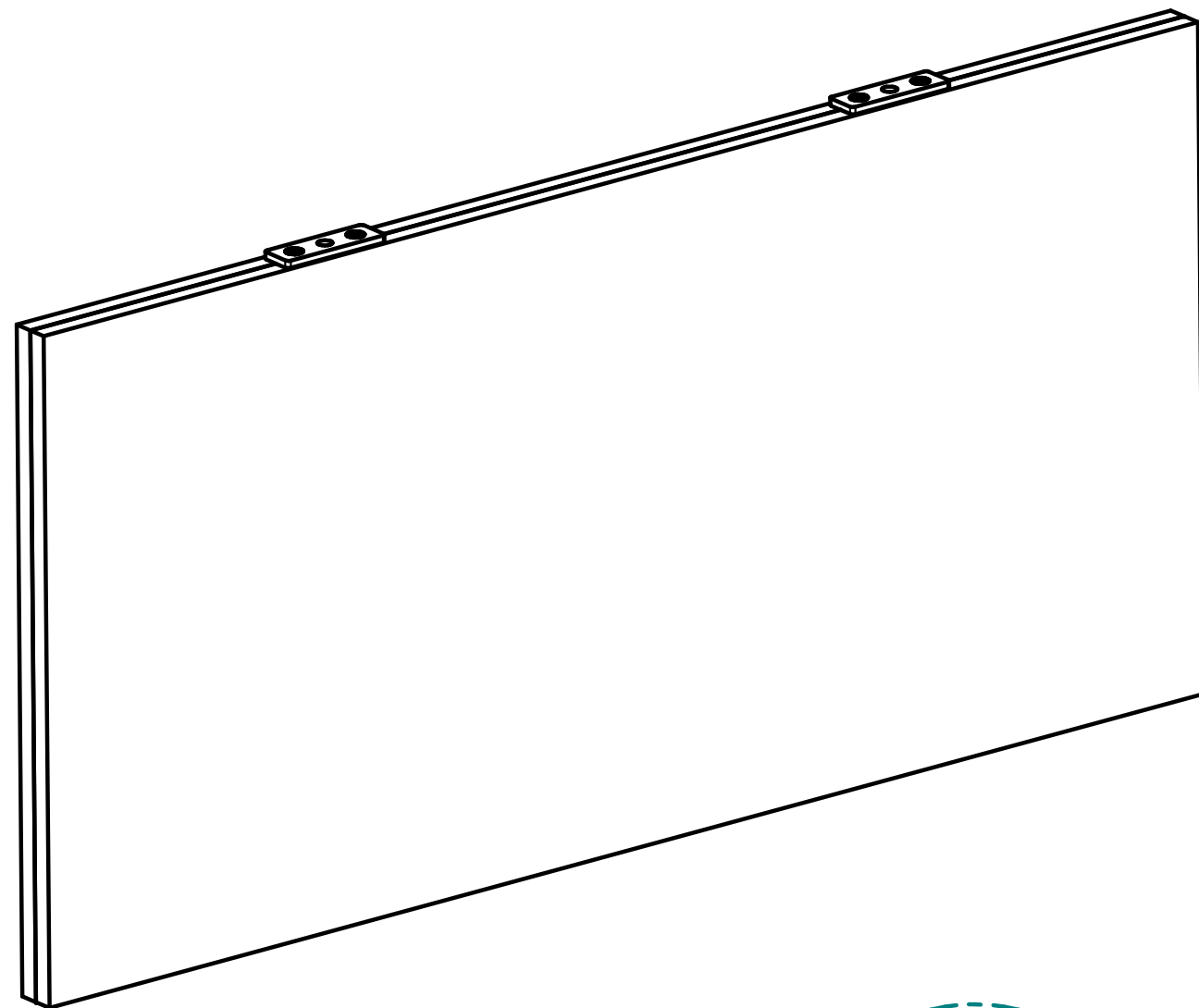
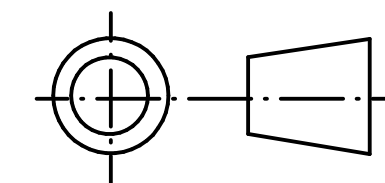


REVISION HISTORY

REV.	DESCRIPTION	DATE	APPROVED



	NAME	DATE
DRAWN	CBS	01/09/24
ENG APPR	CBS	01/09/24



UNLESS OTHERWISE SPECIFIED  
DIMENSIONS ARE IN  
**'INCHES'**  
ANGLES  $\pm 0.8^\circ$  ; 2 PL  $\pm 0.040$  ;  
3 PL  $\pm 0.020$

TITLE <b>Acoustic Fin</b>		
SUBTITLE <b>24"x12"x18mm</b>		
PART NO:	<b>AFin-ST-004</b>	REV. <b>0.0</b>
SIZE: 22"x17"	SCALE: 0.20	SHEET 1 OF 1
FILE NAME: Acoustic Fin(24.12.18).dft		