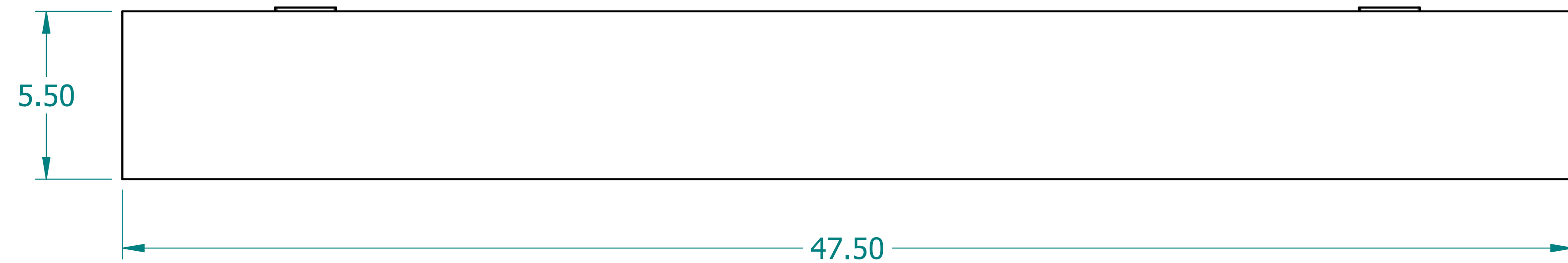
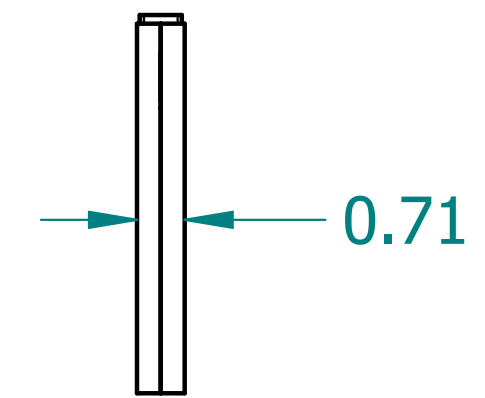
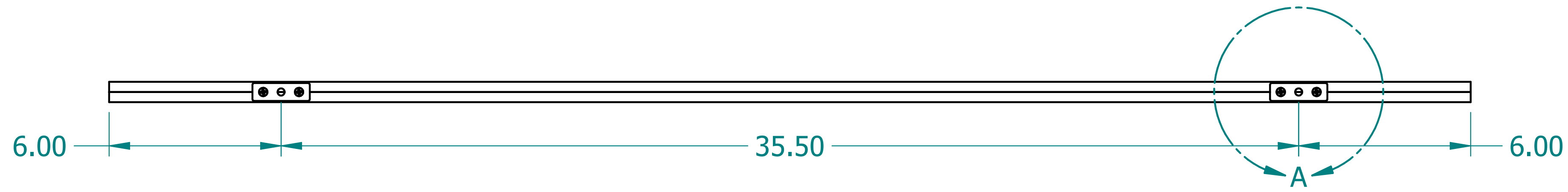
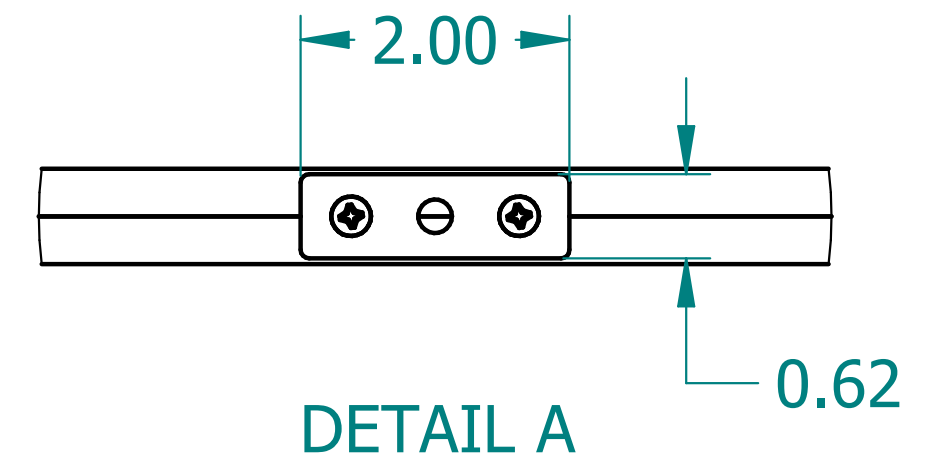
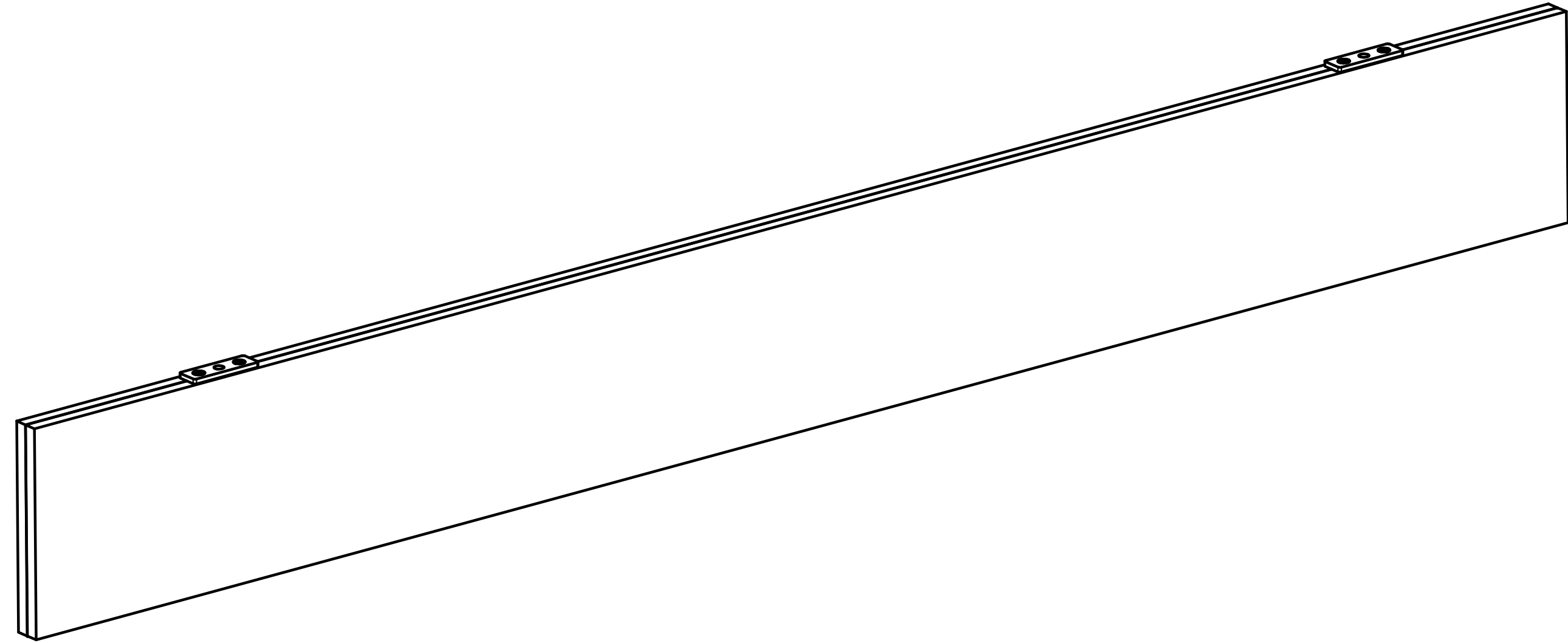

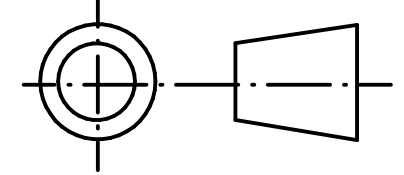


REVISION HISTORY			
REV.	DESCRIPTION	DATE	APPROVED



	NAME	DATE		
DRAWN	CBS	01/17/24		
ENG APPR	CBS	01/17/24		
 <p>UNLESS OTHERWISE SPECIFIED DIMENSIONS ARE IN <b>'INCHES'</b> ANGLES <math>\pm 0.8^\circ</math> ; 2 PL <math>\pm 0.040</math> ; 3 PL <math>\pm 0.020</math></p>			TITLE <b>Acoustic Fin</b>	
			SUBTITLE <b>48"x6"x18mm</b>	
PART NO:		AFin-ST-009	REV.	0.0
SIZE: 22"x17"	SCALE: 0.20	SHEET 1 OF 1		
FILE NAME: Acoustic Fin(48.6.18).dft				