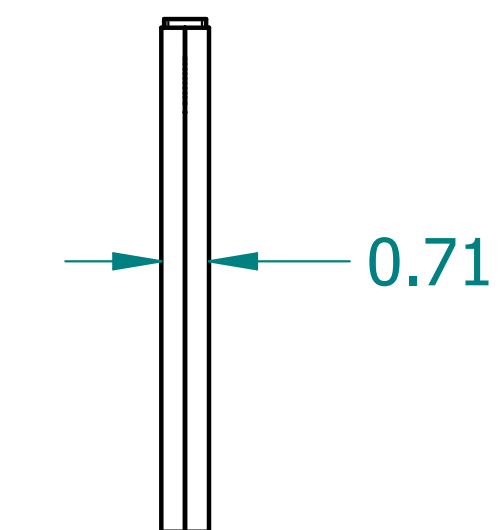
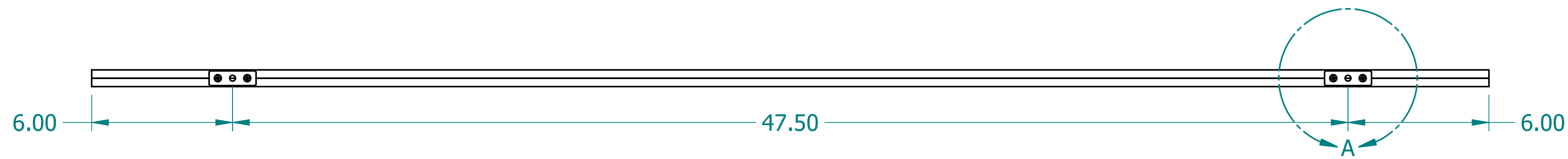
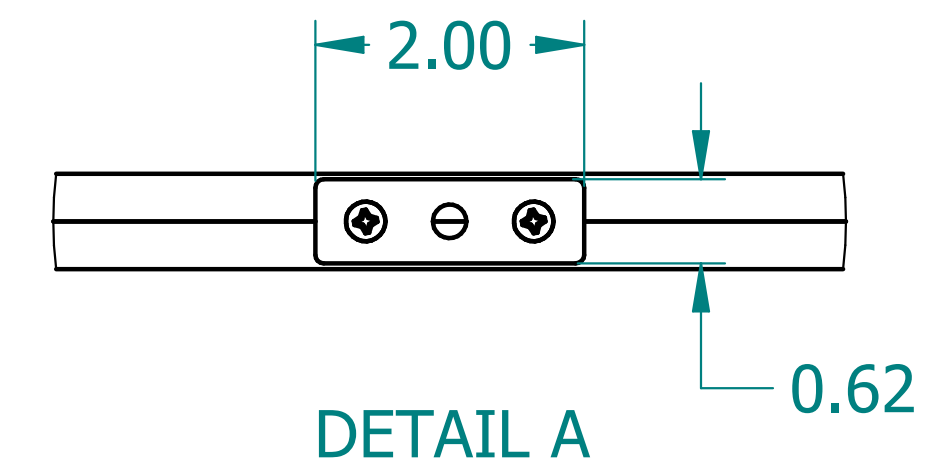
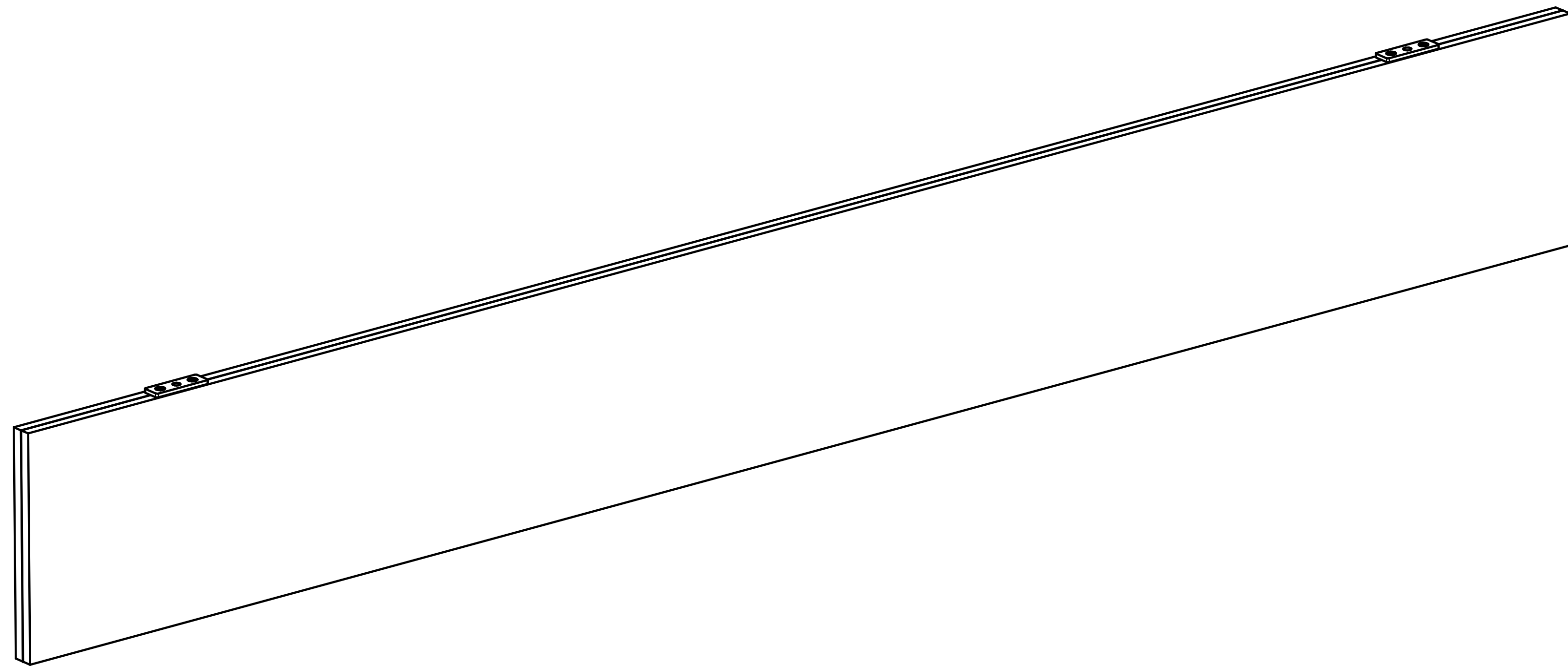

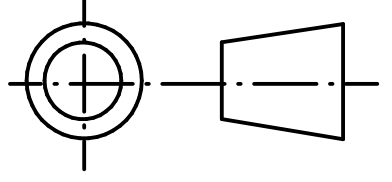


REVISION HISTORY			
REV.	DESCRIPTION	DATE	APPROVED



	NAME	DATE		
DRAWN	CBS	01/17/24		
ENG APPR	CBS	01/17/24		
			TITLE Acoustic Fin	
UNLESS OTHERWISE SPECIFIED DIMENSIONS ARE IN 'INCHES' ANGLES $\pm 0.8^\circ$; 2 PL ± 0.040 ; 3 PL ± 0.020			SUBTITLE 60"x8"x18mm	
PART NO:		AFin-ST-014	REV.	0.0
SIZE: 22"x17"	SCALE: 0.20	SHEET 1 OF 1		
FILE NAME: Acoustic Fin(60.8.18).dft				