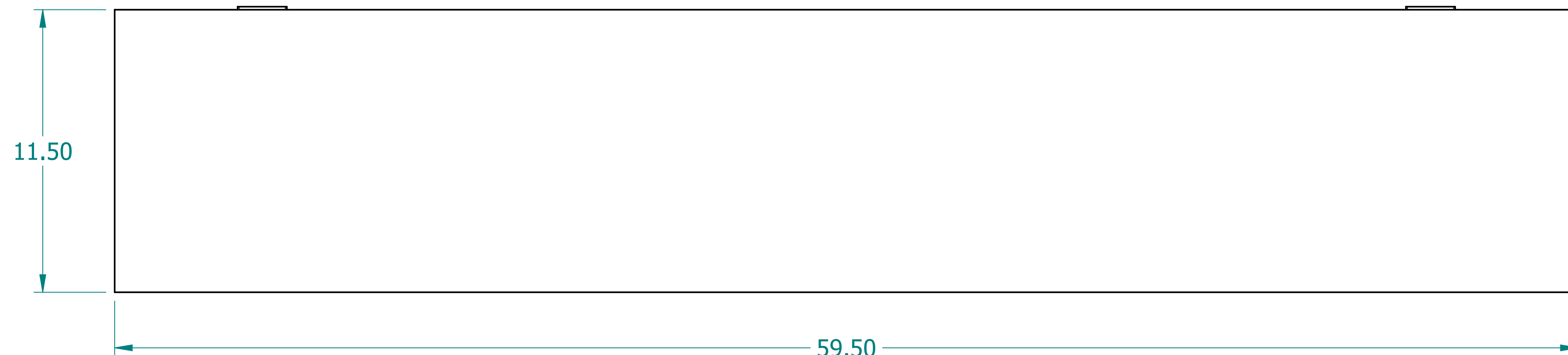
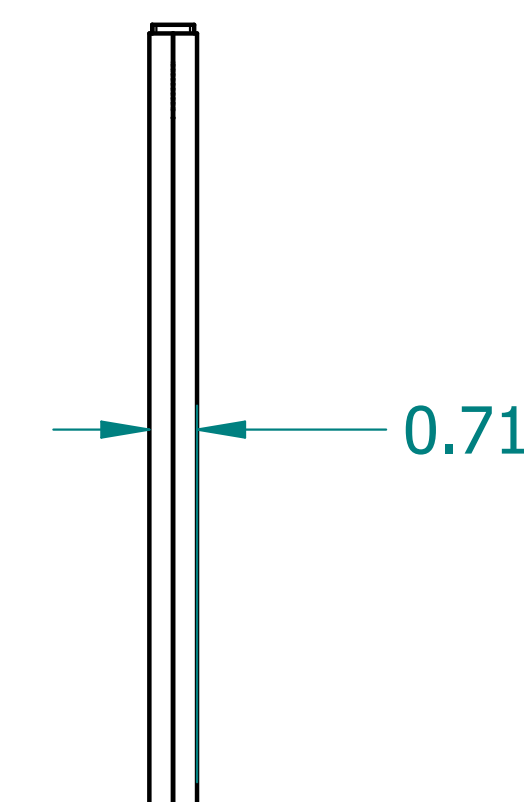
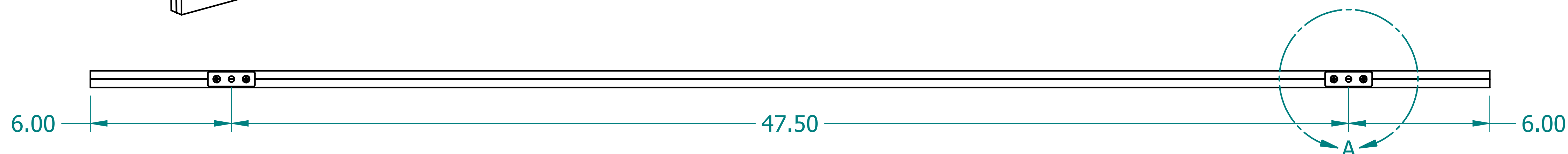
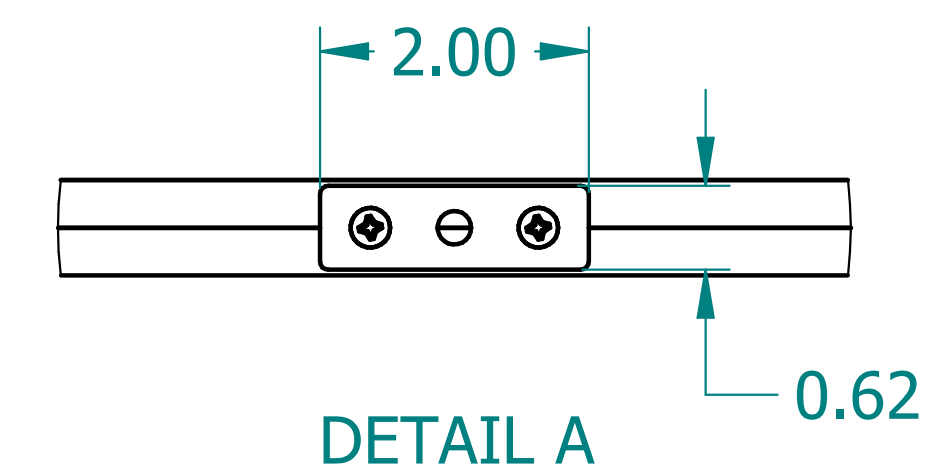
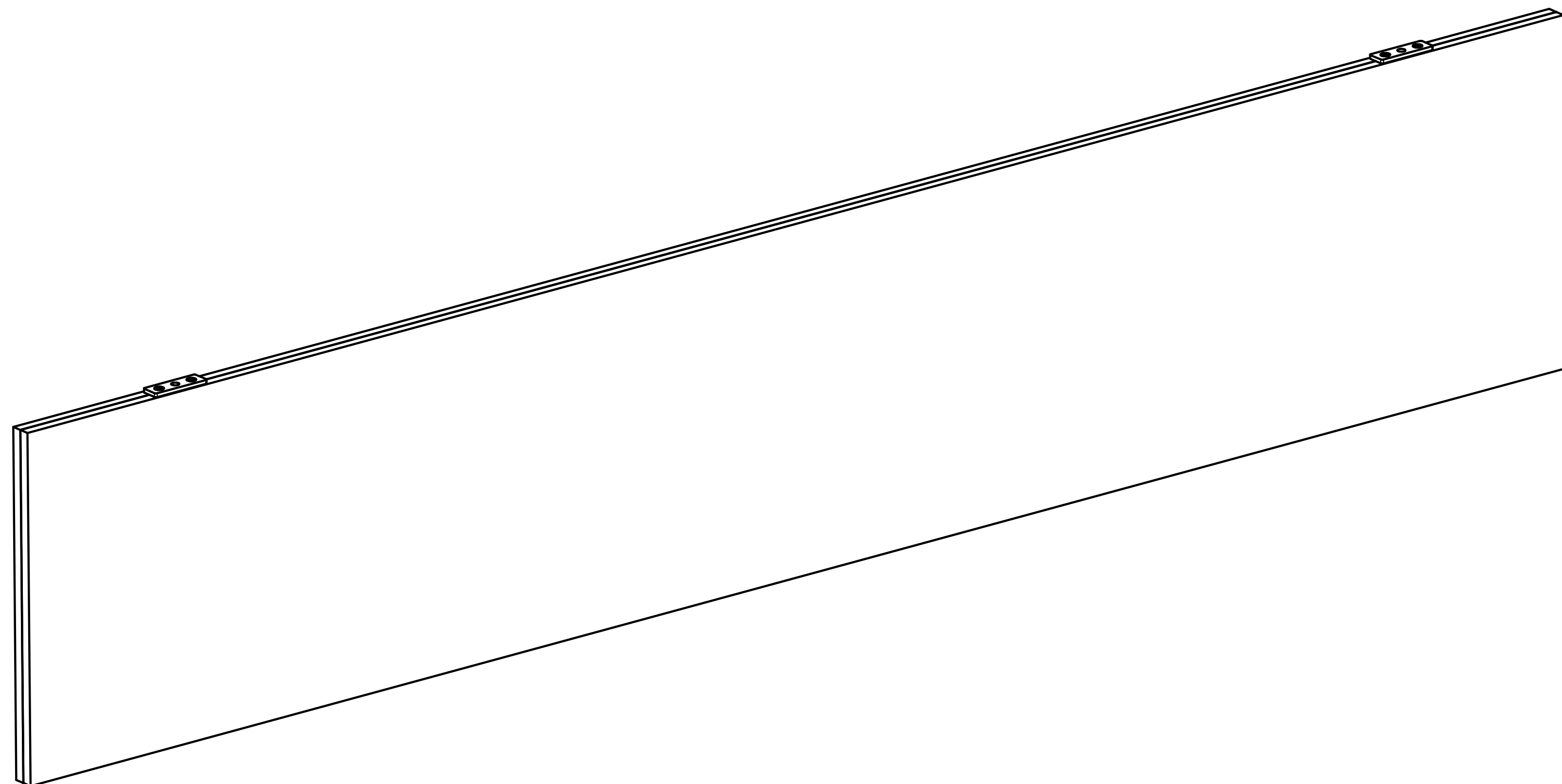

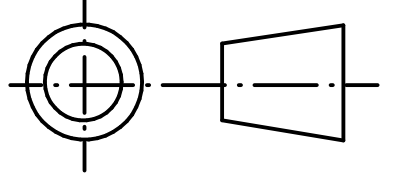


REVISION HISTORY			
REV.	DESCRIPTION	DATE	APPROVED



	NAME	DATE				
DRAWN	CBS	01/17/24			TITLE Acoustic Fin	
ENG APPR	CBS	01/17/24			SUBTITLE 60"x12"x18mm	
 <p>UNLESS OTHERWISE SPECIFIED DIMENSIONS ARE IN 'INCHES' ANGLES $\pm 0.8^\circ$; 2 PL ± 0.040 ; 3 PL ± 0.020</p>			PART NO:	AFin-ST-016	REV.	0.0
			SIZE: 22"x17"	SCALE: 0.20	SHEET 1 OF 1	
FILE NAME: Acoustic Fin(60.12.18).dft						