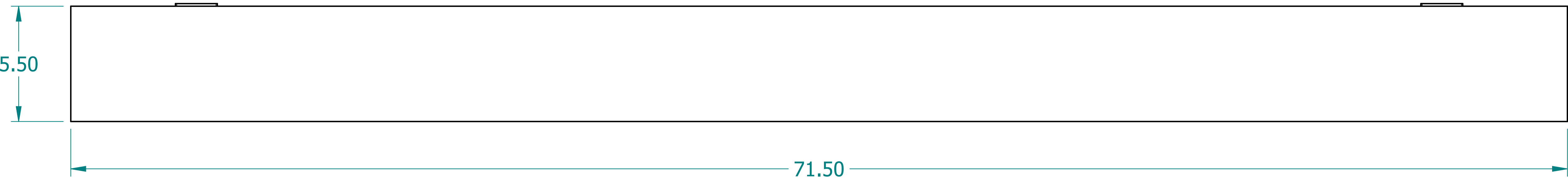
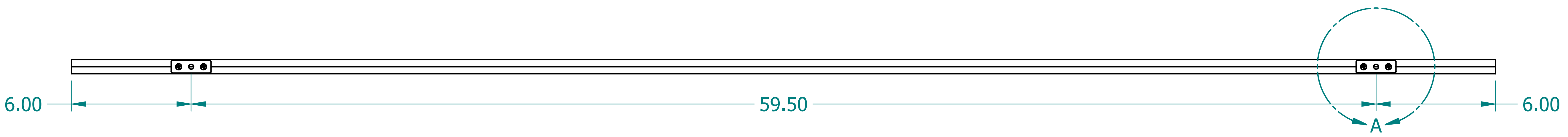
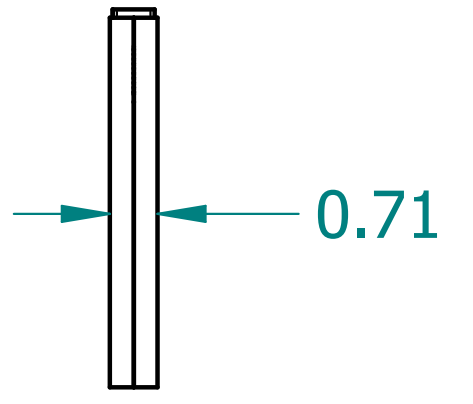
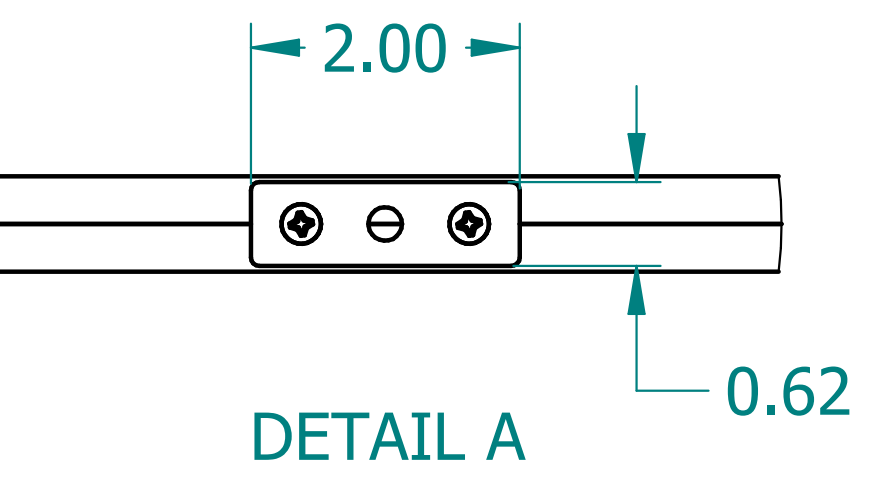
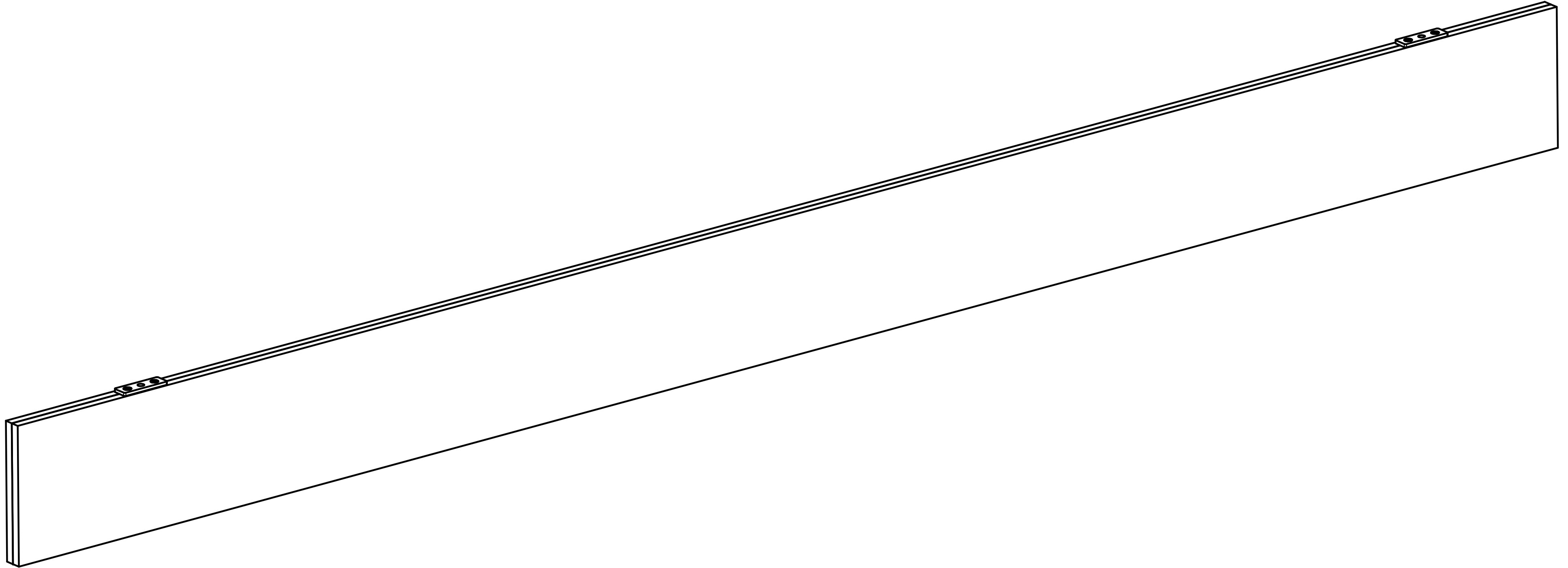
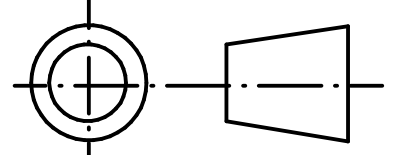


| REVISION HISTORY |             |      |          |
|------------------|-------------|------|----------|
| REV.             | DESCRIPTION | DATE | APPROVED |
|                  |             |      |          |



|          | NAME | DATE     |
|----------|------|----------|
| DRAWN    | CBS  | 01/17/24 |
| ENG APPR | CBS  | 01/17/24 |



  
 UNLESS OTHERWISE SPECIFIED  
 DIMENSIONS ARE IN  
**'INCHES'**  
 ANGLES ±0.8° ; 2 PL ±0.040 ;  
 3 PL ±0.020

|                                      |             |              |     |
|--------------------------------------|-------------|--------------|-----|
| TITLE                                |             | Acoustic Fin |     |
| SUBTITLE                             |             | 72"x6"x18mm  |     |
| PART NO:                             | AFin-ST-017 | REV.         | 0.0 |
| SIZE: 22"x17"                        | SCALE: 0.20 | SHEET 1 OF 1 |     |
| FILE NAME: Acoustic Fin(72.6.18).dft |             |              |     |