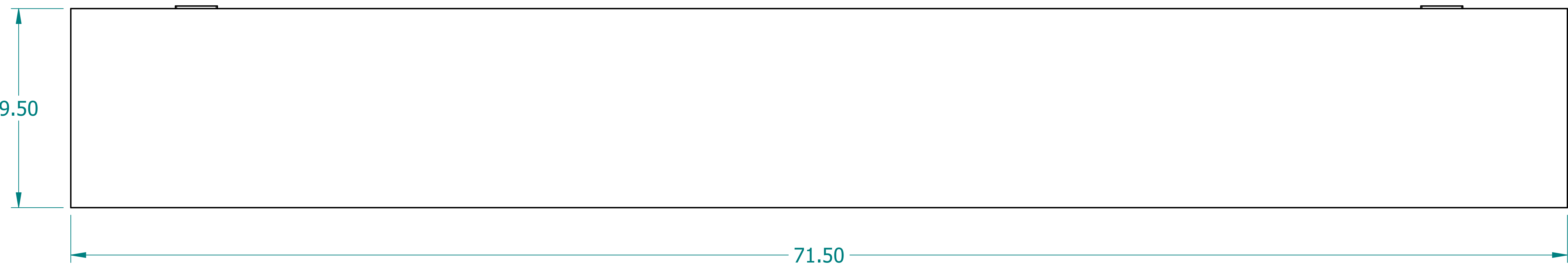
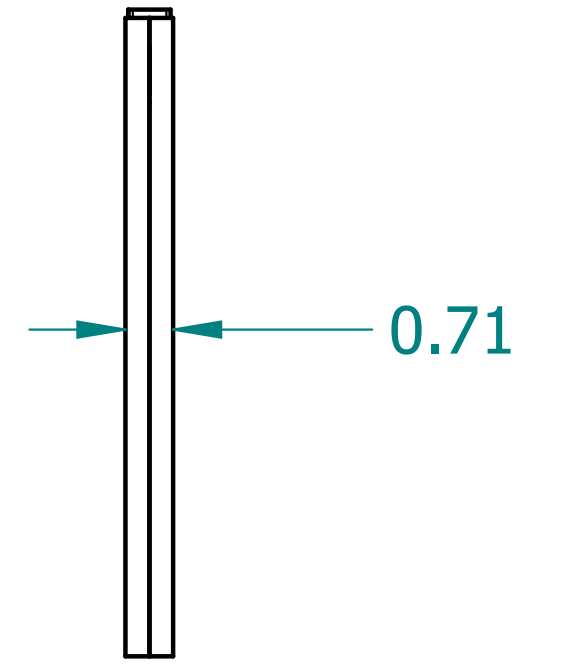
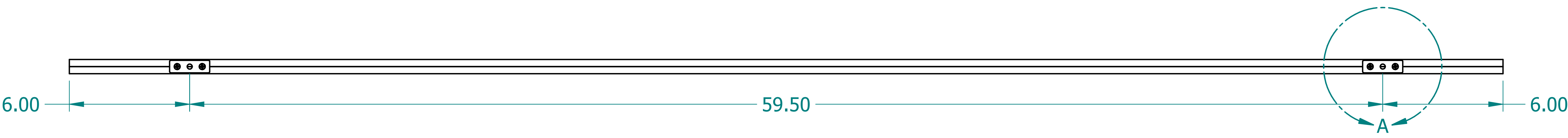
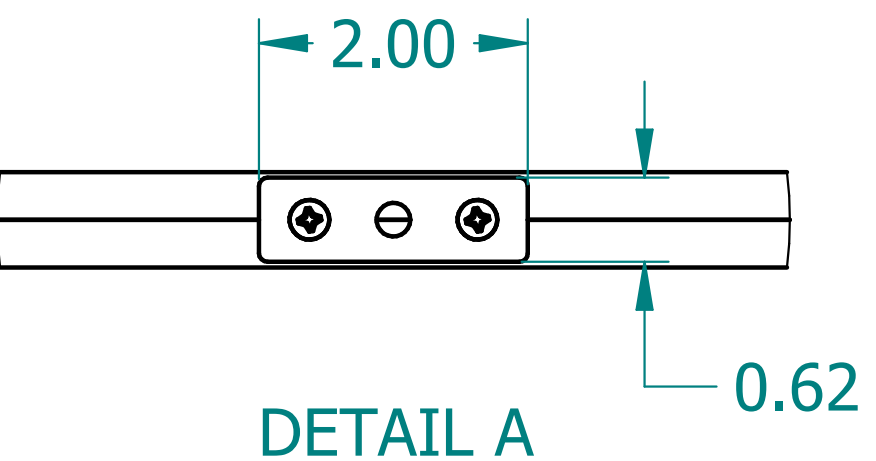
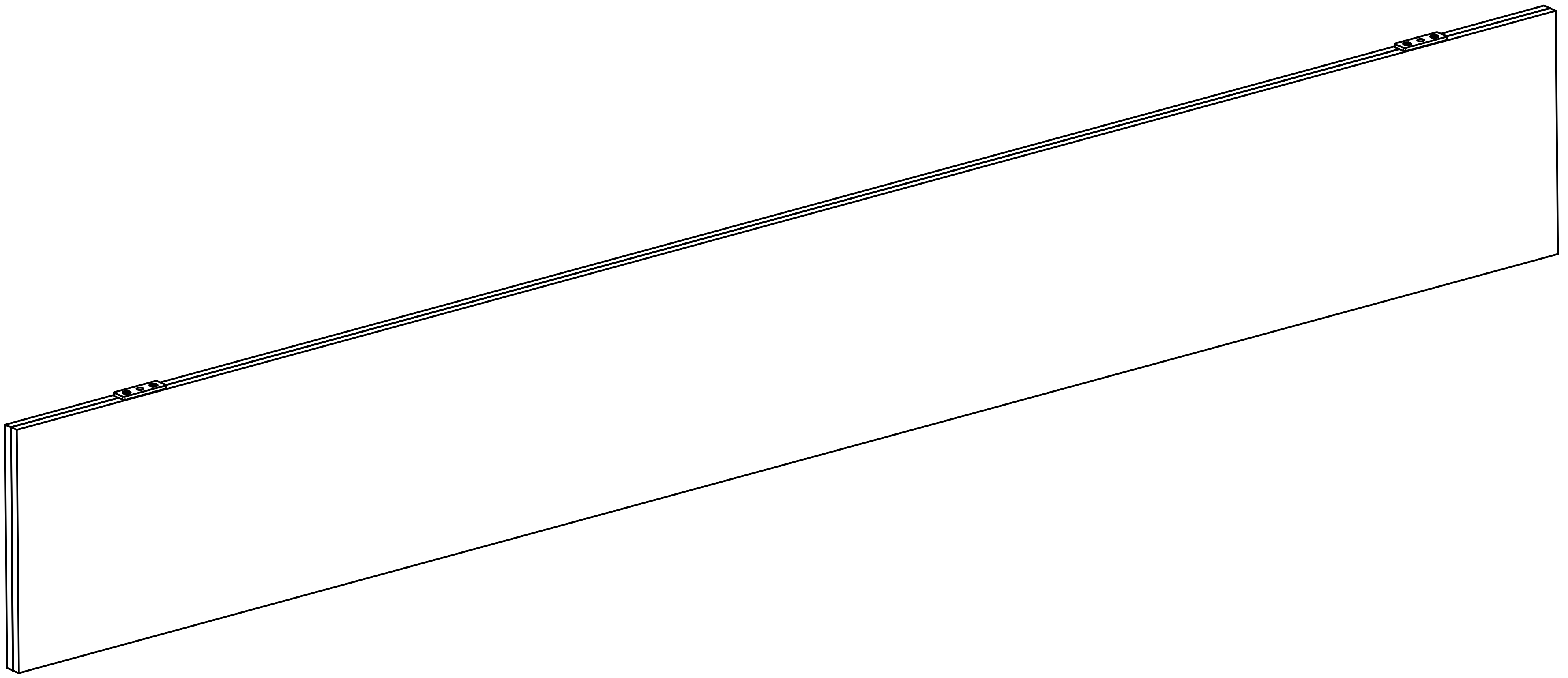
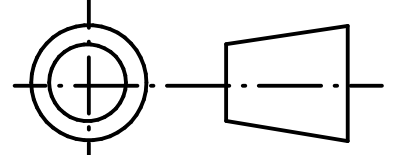


REVISION HISTORY			
REV.	DESCRIPTION	DATE	APPROVED



	NAME	DATE
DRAWN	CBS	01/17/24
ENG APPR	CBS	01/17/24




 UNLESS OTHERWISE SPECIFIED DIMENSIONS ARE IN 'INCHES'
 ANGLES ±0.8° ; 2 PL ±0.040 ; 3 PL ±0.020

TITLE Acoustic Fin	
SUBTITLE 72"x10"x18mm	
PART NO: AFin-ST-019	REV. 0.0
SIZE: 22"x17"	SCALE: 0.20
SHEET 1 OF 1	
FILE NAME: Acoustic Fin(72.10.18).dft	