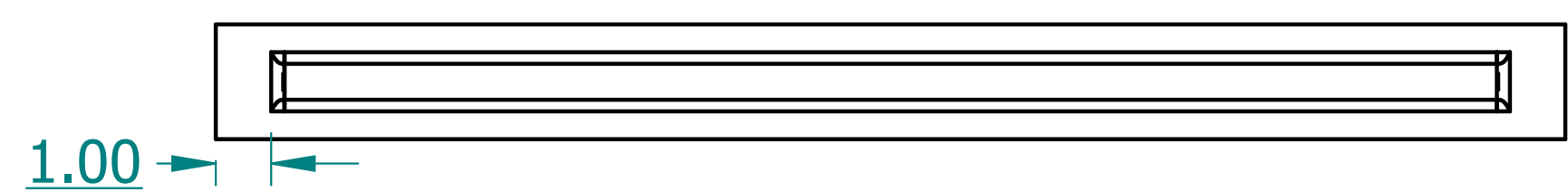
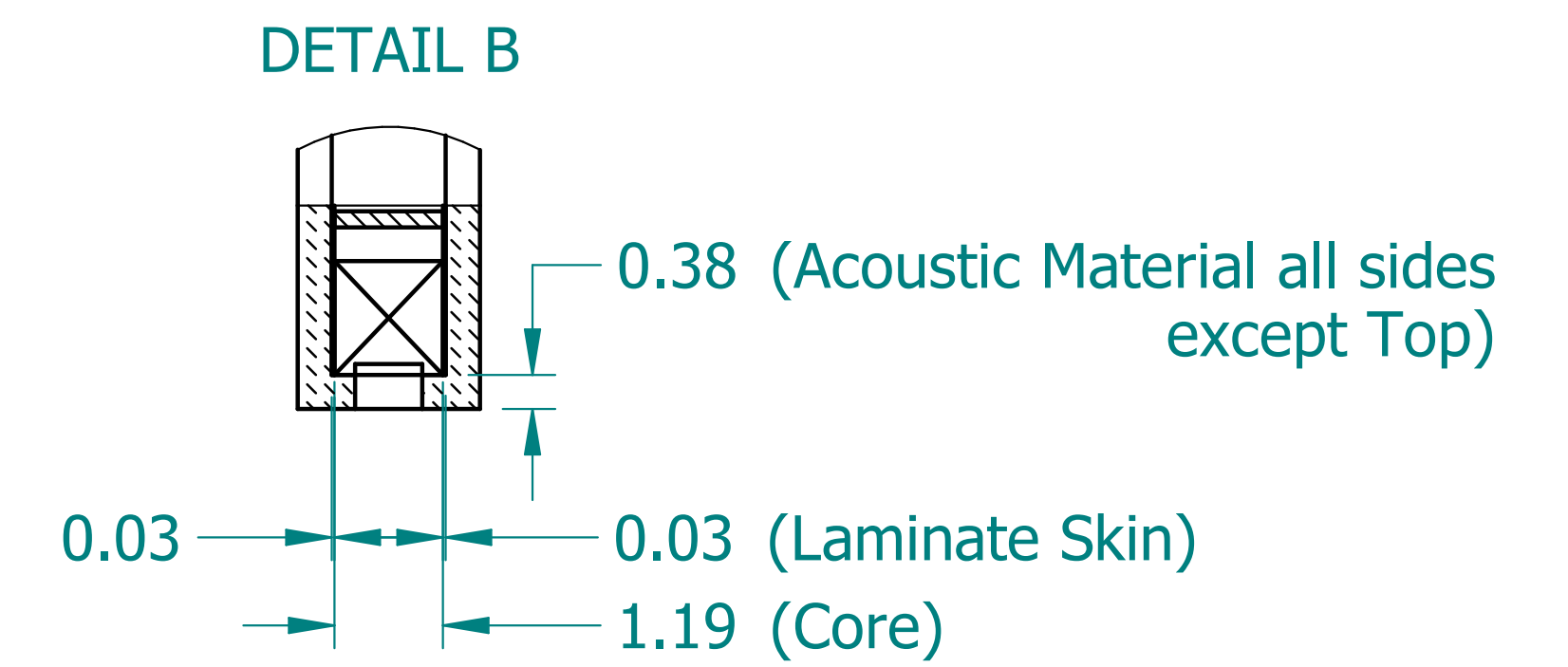
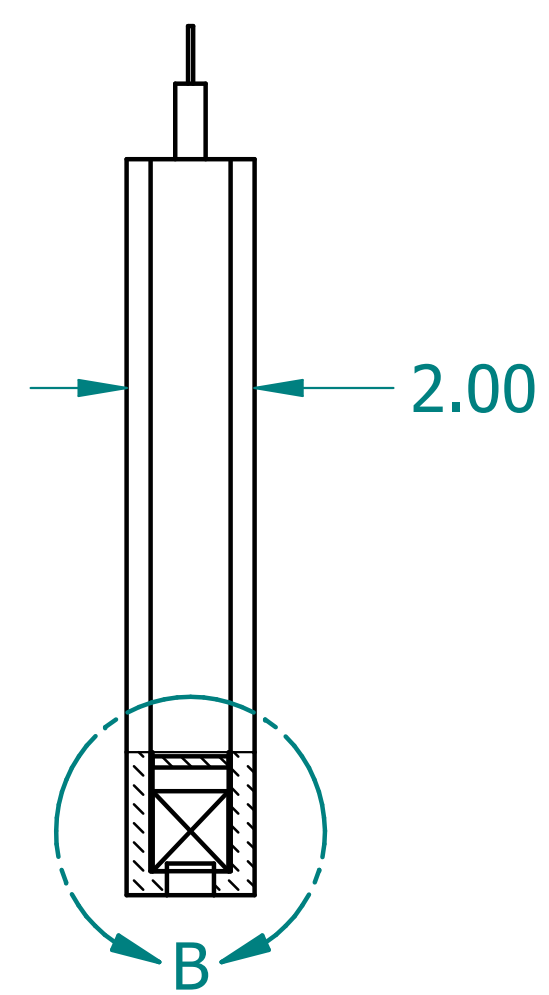
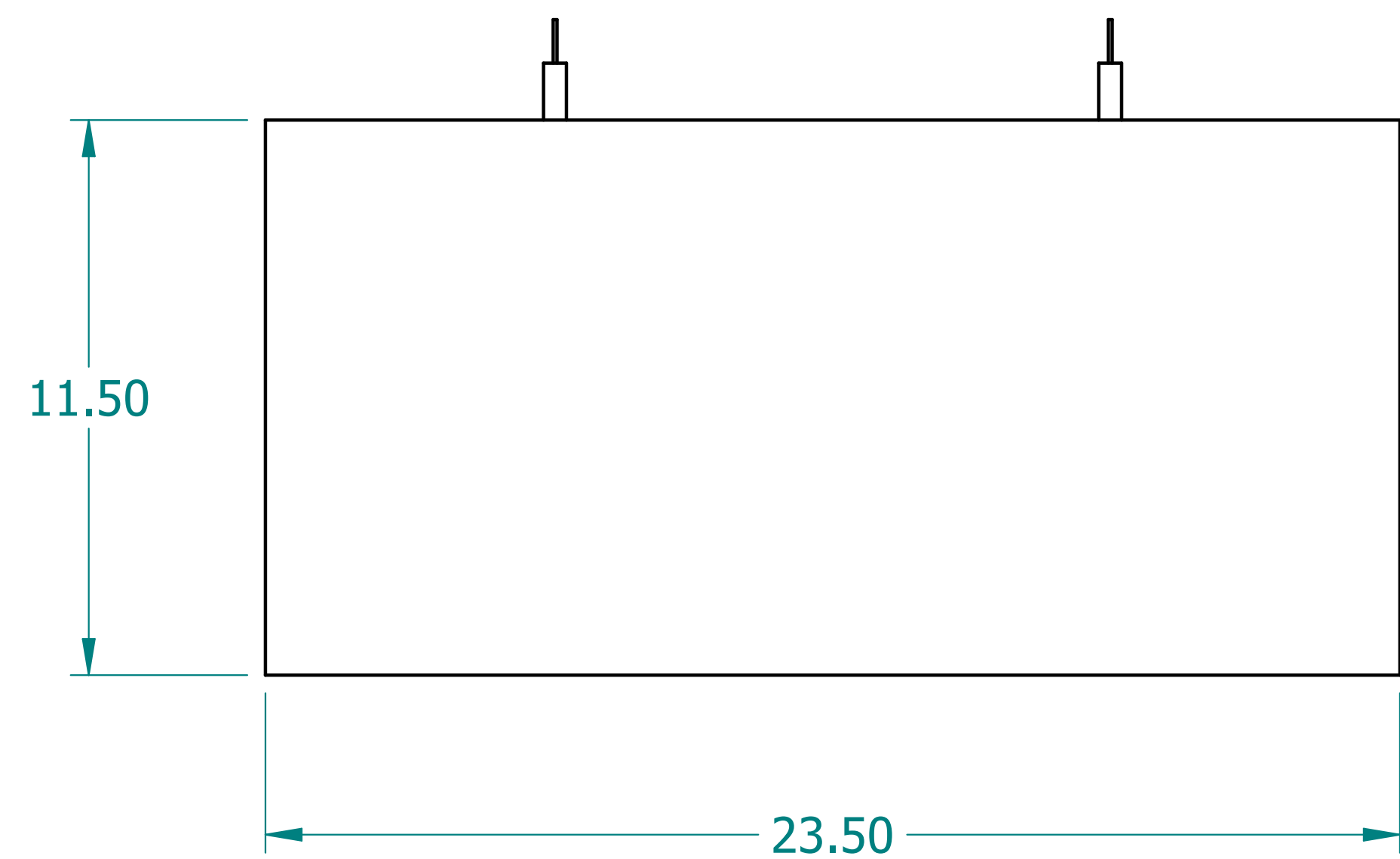
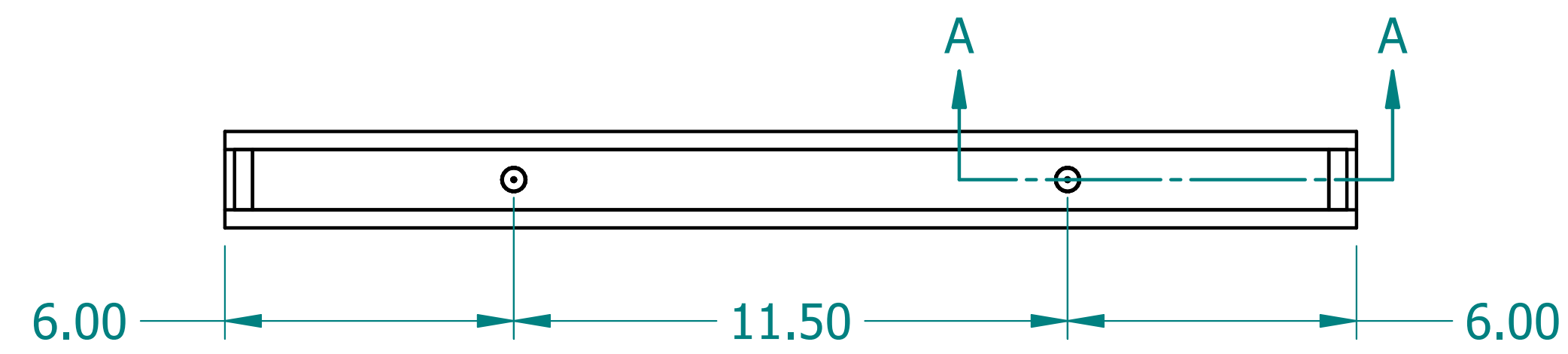
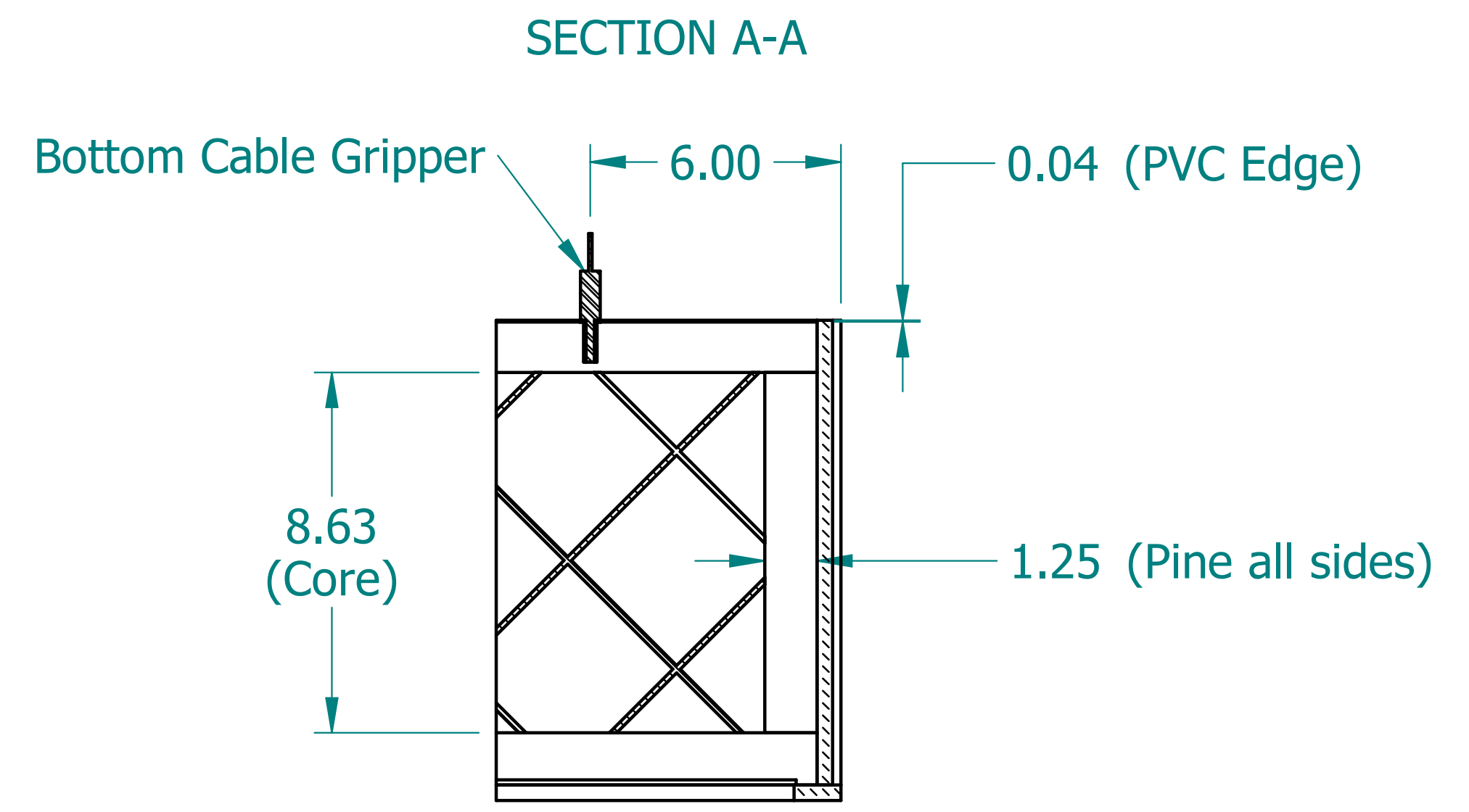
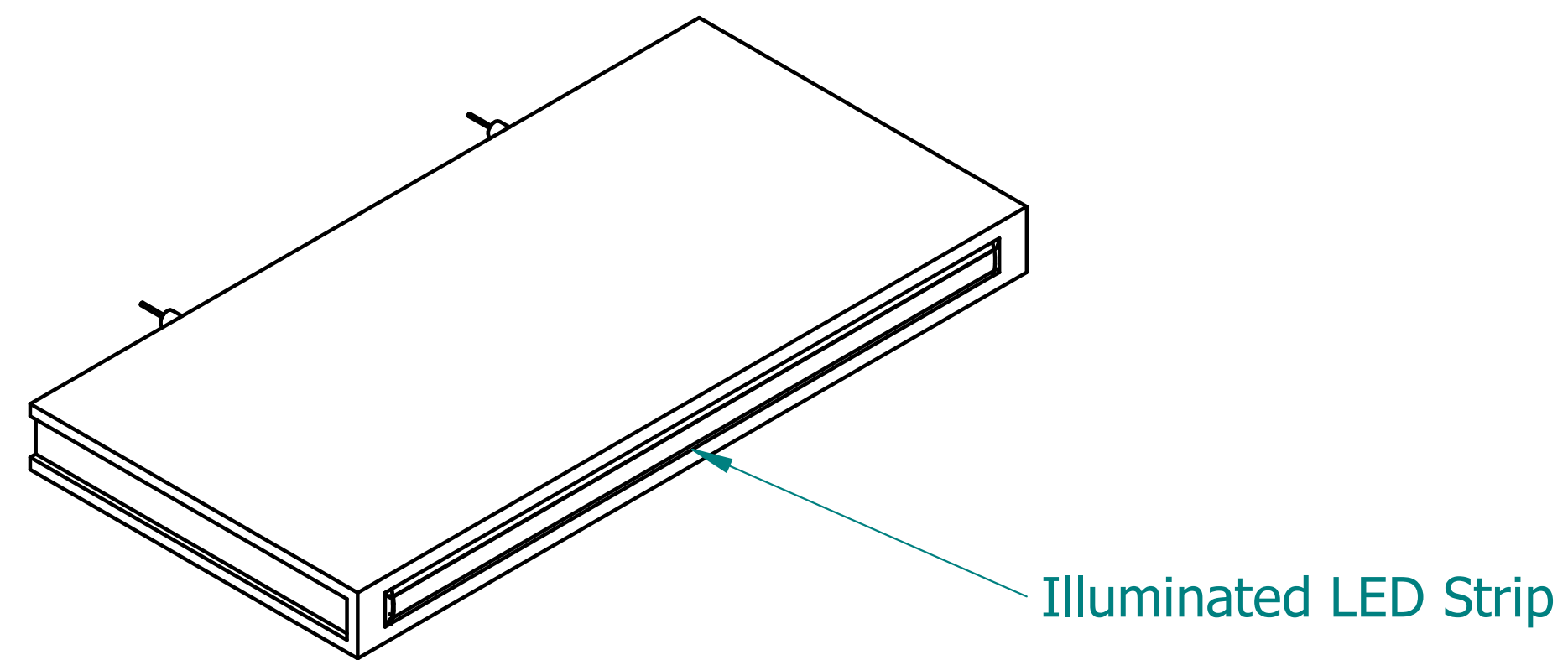


REVISION HISTORY			
REV.	DESCRIPTION	DATE	APPROVED



	NAME	DATE		
DRAWN	CBS	11/16/23		
ENG APPR	CBS	11/16/23		
<p>UNLESS OTHERWISE SPECIFIED DIMENSIONS ARE IN 'INCHES'</p> <p>ANGLES <math>\pm 0.8^\circ</math> ; 2 PL <math>\pm 0.040</math> ; 3 PL <math>\pm 0.020</math></p>			TITLE	
			Illuminated Acoustic Blade	
			SUBTITLE	
			24"x12"x2"	
			PART NO:	IXABlade-008-XX
SIZE: 34"x22"	SCALE: 0.33	SHEET 1 OF 1		
FILE NAME: Illuminated Acoustic Blade (24.12.2).dft				